



Chipsmall Limited consists of a professional team with an average of over 10 year of expertise in the distribution of electronic components. Based in Hongkong, we have already established firm and mutual-benefit business relationships with customers from,Europe,America and south Asia,supplying obsolete and hard-to-find components to meet their specific needs.

With the principle of “Quality Parts,Customers Priority,Honest Operation,and Considerate Service”,our business mainly focus on the distribution of electronic components. Line cards we deal with include Microchip,ALPS,ROHM,Xilinx,Pulse,ON,Everlight and Freescale. Main products comprise IC,Modules,Potentiometer,IC Socket,Relay,Connector.Our parts cover such applications as commercial,industrial, and automotives areas.

We are looking forward to setting up business relationship with you and hope to provide you with the best service and solution. Let us make a better world for our industry!



Contact us

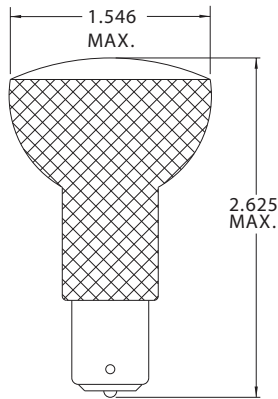
Tel: +86-755-8981 8866 Fax: +86-755-8427 6832

Email & Skype: info@chipsmall.com Web: www.chipsmall.com

Address: A1208, Overseas Decoration Building, #122 Zhenhua RD., Futian, Shenzhen, China

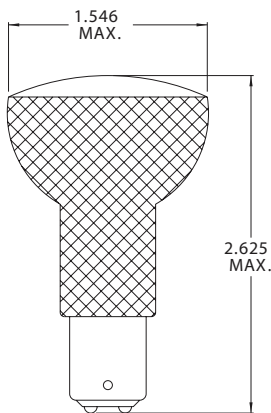


R-12 Single Contact Bayonet Base



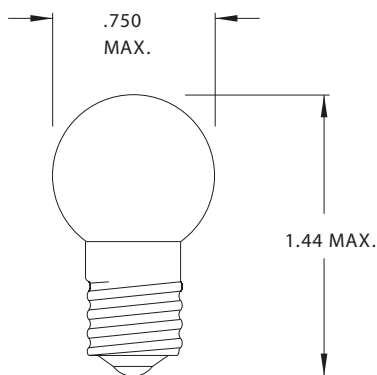
Part Number	Design Voltage	Amps	MSCP	Life Hours	Filament Type
CM1384	6.0	3.30	-	300	C-8
CM1383	13.0	1.50	-	300	C-8
CM1385	28.0	.72	-	300	CC-8
CM1387	28.0	.72	-	300	CC-8

R-12 Double Contact Bayonet Base



Part Number	Design Voltage	Amps	MSCP	Life Hours	Filament Type
CM1388	24.0	.83	-	500	CC-8
CM1380	28.0	1.35	-	100	CC-2V
	28.0	1.35	-	100	CC-2V

G-6 Candelabra Screw Base



Part Number	Design Voltage	Amps	MSCP	Life Hours	Filament Type
CM81K	6.5	1.02	6.0	500	C-2R
CM63K	7.0	.63	3.0	1,000	C-2R
CM1471	12.0	.26	2.3	250	C-2V
CM89K	13.0	.58	6.0	750	C-2R
CM67K	13.5	.59	4.0	5,000	C-2R
CM529	14.0	.26	2.9	250	C-2V
CM2621	14.0	.27	1.6	500	C-2R
CM71K	22.0	.18	3.0	200	C-2V
CM509K	24.0	.18	2.8	1,000	C-2F
CM1224K	32.0	.16	3.8	200	C-2F