



Chipsmall Limited consists of a professional team with an average of over 10 year of expertise in the distribution of electronic components. Based in Hongkong, we have already established firm and mutual-benefit business relationships with customers from,Europe,America and south Asia,supplying obsolete and hard-to-find components to meet their specific needs.

With the principle of "Quality Parts,Customers Priority,Honest Operation,and Considerate Service",our business mainly focus on the distribution of electronic components. Line cards we deal with include Microchip,ALPS,ROHM,Xilinx,Pulse,ON,Everlight and Freescale. Main products comprise IC,Modules,Potentiometer,IC Socket,Relay,Connector.Our parts cover such applications as commercial,industrial, and automotives areas.

We are looking forward to setting up business relationship with you and hope to provide you with the best service and solution. Let us make a better world for our industry!



Contact us

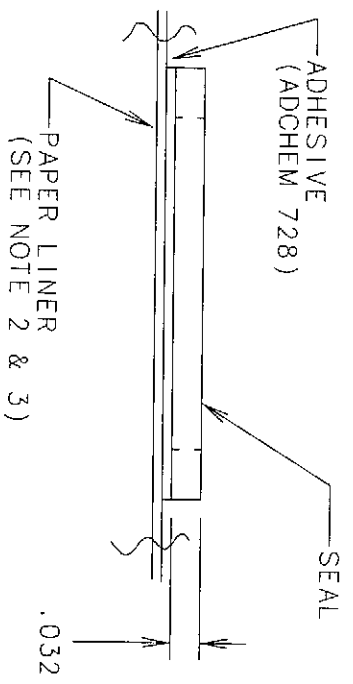
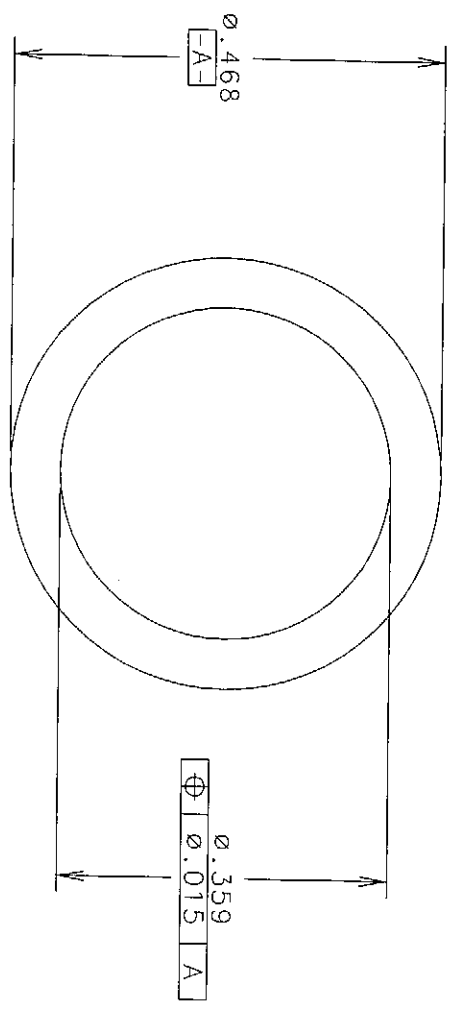
Tel: +86-755-8981 8866 Fax: +86-755-8427 6832

Email & Skype: info@chipsmall.com Web: www.chipsmall.com

Address: A1208, Overseas Decoration Building, #122 Zhenhua RD., Futian, Shenzhen, China



ALL REVISIONS TO THIS DRAWING
MUST BE MADE ON THE CAD SYSTEM



- NOTES:
1. MATERIAL: OIL-RESISTANT FLUORO-SILICONE PER MIL-DTL-25988 60 DUROMETER
 2. SEALS WILL BE BEVE IN COLOR AND SUPPLIED IN STRIPS 36 IN. LONG, 2.75 IN. WIDE, 295 PARTS PER STRIP.
 3. SEALS WILL BE TOTALLY CUT THROUGH WITH I.D.'S INTACT.
 4. NICKS ON EITHER EDGE ARE ACCEPTABLE IF DIMENSIONS REMAIN WITHIN PRINT TOLERANCE.
 5. SURFACE SCRATCHES ARE ACCEPTABLE IF THEY DO NOT COMPLETELY CROSS BETWEEN THE I.D AND O.D.

ISSUE	APP/DATE	DESCRIPTION
A	KKK	ECN# 307473 KKK 5-30-95
B	MJS	CHANGED SEAL COLOR TO BLUE. ECN#307772 MJS 7-7-95
C	JRJ/MJM	CHANGED NOTE 1. "MIL-DTL-25988" WAS "MIL-R-25988" ECN#406849 DTL 6-20-16

Grayhill
 GRAYHILL, INC.
 561 HILLGROVE AVE.
 LA GRANGE, IL 60525
 PHONE (708) 354-1040

UNLESS OTHERWISE SPECIFIED TOLERANCES AND DIMENSIONS ARE IN INCHES
 LINEAR ±.005 DIAMETERS ±.015
 ANGULAR ±0° 0' RADII ±
 LIMITS APPLY BEFORE FINISHING
 DO NOT SCALE THIS PRINT

MFG. INSTR.		APPROVED DATE	
Q.C. INSTR.		DATE	
FINISH		DATE	
MATERIAL	SEE NOTE 1	CHECKED DATE	-95
NAME	GASKET	DRAWN DATE	5-30-95
		CADAM DRAWING	50M1553 C 001
A	DWG. NO. 50M1553	ISSUE	C
SCALE	5:1 (R)	SHEET	1 OF 1