



Chipsmall Limited consists of a professional team with an average of over 10 year of expertise in the distribution of electronic components. Based in Hongkong, we have already established firm and mutual-benefit business relationships with customers from,Europe,America and south Asia,supplying obsolete and hard-to-find components to meet their specific needs.

With the principle of “Quality Parts,Customers Priority,Honest Operation,and Considerate Service”,our business mainly focus on the distribution of electronic components. Line cards we deal with include Microchip,ALPS,ROHM,Xilinx,Pulse,ON,Everlight and Freescale. Main products comprise IC,Modules,Potentiometer,IC Socket,Relay,Connector.Our parts cover such applications as commercial,industrial, and automotives areas.

We are looking forward to setting up business relationship with you and hope to provide you with the best service and solution. Let us make a better world for our industry!



## Contact us

Tel: +86-755-8981 8866 Fax: +86-755-8427 6832

Email & Skype: info@chipsmall.com Web: www.chipsmall.com

Address: A1208, Overseas Decoration Building, #122 Zhenhua RD., Futian, Shenzhen, China



## 50R SERIES

### Single-phase voltage monitor

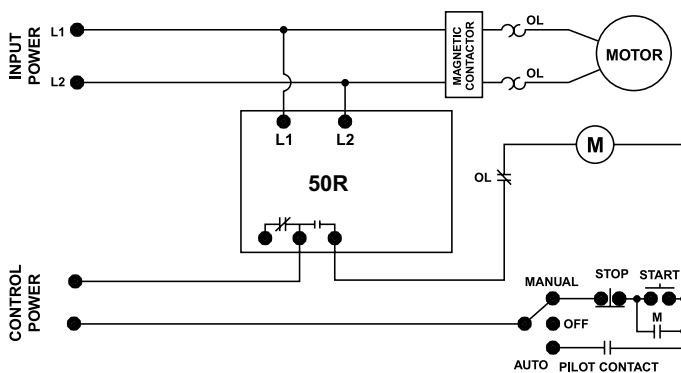


### Description

The 50R Series single-phase voltage monitor has a voltage-sensing circuit which constantly monitors the single-phase power for a low voltage condition. Single-phase motors on fans, compressors, air conditioners, heat pumps, well pumps, sump pumps and small conveyor motors are all applicable to the 50R Series.

When a harmful condition is detected, the MotorSaver's output relay is deactivated after a specified trip delay. The output relay reactivates after power line conditions return to an acceptable level and a specified amount of time has elapsed (restart delay). The trip delay prevents nuisance tripping due to rapidly fluctuating power line conditions.

### Wiring Diagram



### Features & Benefits

FEATURES	BENEFITS
<b>Proprietary voltage sensing circuitry</b>	Constant monitoring of single-phase power for a low voltage condition
<b>Adjustable trip delay (-3 models) and restart delay (-2 models) settings</b>	Prevent nuisance tripping due to rapidly fluctuating power line conditions and allows staggered start up of multiple motors, after a fault, to prevent a low voltage condition
<b>High voltage detection (-9 models)</b>	Trips and resets at a fixed percentage of the setpoint: trip 110%, reset 107%.
<b>600V rated relay contacts available on some models</b>	Eliminates the need for a control transformer to step voltage down to 120 - 240V for a control circuit

### Ordering Information

MODEL	LINE VOLTAGE	DESCRIPTION
50R-100	95-120VAC	Fixed trip and restart delay
50R-100-2	95-120VAC	Fixed trip and variable restart delay (manual, 2-300s)
50R200	190-240VAC	Fixed trip and restart delay
50R2002	190-240VAC	Fixed trip and variable restart delay (manual, 2-300s)
50R2003	190-240VAC	Fixed restart and variable trip delay (2-30s)
50R20029	190-240VAC	Fixed trip and variable restart delay (manual, 2-300s) plus high voltage detection
50R400	380-480VAC	Fixed trip and restart delay
50R4002	380-480VAC	Fixed trip and variable restart delay (manual, 2-300s)
50R4003	380-480VAC	Fixed restart and variable trip delay (2-30s)
50R40029	380-480VAC	Fixed trip and variable restart delay (manual, 2-300s) plus high voltage detection

## 50R SERIES

### Specifications

#### Input Characteristics

##### Line Voltage

<b>50R-100</b>	95-120VAC
<b>50R200</b>	190-240VAC
<b>50R400</b>	380-480VAC
<b>Frequency</b>	50*/60Hz

#### Functional Characteristics

##### Low Voltage:

<b>Trip (% of setpoint)</b>	90%
<b>Reset (% of setpoint)</b>	93%
<b>Delay Time (Nominal)</b>	
<b>Trip</b>	4 seconds
<b>Restart (low voltage)</b>	2 seconds
<b>Restart (complete power loss)</b>	2 seconds

#### Output Characteristics

##### Output Contact Rating (SPDT - 1 Form C)

##### 50R-100, 50R200

<b>Pilot Duty</b>	480VA @ 240VAC
<b>General Purpose</b>	10A @ 240VAC

##### 50R400

<b>Pilot Duty</b>	470VA @ 600VAC
-------------------	----------------

#### General Characteristics

##### Ambient Temperature Range

<b>Operating</b>	-20° to 70°C (-4° to 158°F)
<b>Storage</b>	-40° to 80°C (-40° to 176°F)
<b>Maximum Input Power</b>	5 W
<b>Relative Humidity</b>	10-95%, non-condensing per IEC 68-2-3

##### Terminal

<b>Torque</b>	7 in.-lbs.
<b>Wire Size</b>	12-18AWG
<b>Electrostatic Discharge (ESD)</b>	IEC 61000-4-2, Level 3, 6kV contact, 8kV air
<b>Fast Transient Burst</b>	IEC 61000-4-4, Level 3, 3.5kV input power and controls

##### Transient Protection (Internal)

IEC 61000-4-5; 1995 ±6kV

##### Safety Marks

<b>UL</b>	UL508 (File #E68520)
<b>CE</b>	IEC 60947-6-2

##### Dimensions

**H** 74.4 mm (2.93"); **W** 133.9 mm (5.27");  
**D** 74.9 mm (2.95")

**Weight** 0.98 lb. (15.68 oz., 444.52 g)

##### Mounting Method

#8 screws

### Special Options

<b>Opt. 2: Variable Restart Delay</b>	Manual, 2-300 seconds
<b>Opt. 3: Variable Trip Delay</b>	2-30 seconds
<b>Opt. 9: High Voltage Detection Operating Points</b>	
<b>Trip (% of Setpoint)</b>	110%
<b>Reset (% of Setpoint)</b>	107%

\*Note: 50Hz will increase all delay timers by 20%