



Chipsmall Limited consists of a professional team with an average of over 10 year of expertise in the distribution of electronic components. Based in Hongkong, we have already established firm and mutual-benefit business relationships with customers from,Europe,America and south Asia,supplying obsolete and hard-to-find components to meet their specific needs.

With the principle of “Quality Parts,Customers Priority,Honest Operation,and Considerate Service”,our business mainly focus on the distribution of electronic components. Line cards we deal with include Microchip,ALPS,ROHM,Xilinx,Pulse,ON,Everlight and Freescale. Main products comprise IC,Modules,Potentiometer,IC Socket,Relay,Connector.Our parts cover such applications as commercial,industrial, and automotives areas.

We are looking forward to setting up business relationship with you and hope to provide you with the best service and solution. Let us make a better world for our industry!



## Contact us

Tel: +86-755-8981 8866 Fax: +86-755-8427 6832

Email & Skype: info@chipsmall.com Web: www.chipsmall.com

Address: A1208, Overseas Decoration Building, #122 Zhenhua RD., Futian, Shenzhen, China





# TDT SERIES

# HIGH PERFORMANCE 3-PHASE 3-WIRE FILTERS

## COMPONENTS

PART NO.	$\Sigma C_x$ (uF)	$\Sigma C_y$ (uF)	L (mH)	R (M $\Omega$ )	R1 (M $\Omega$ )
08TDT2	1.6	0.17	7.6	2.0	-
16TDT2	3.4		5.2	1.5	1.1
25TDT2		1.8	2.2		
36TDT2	1.3				
50TDT2	4.4	2.0	0.8		

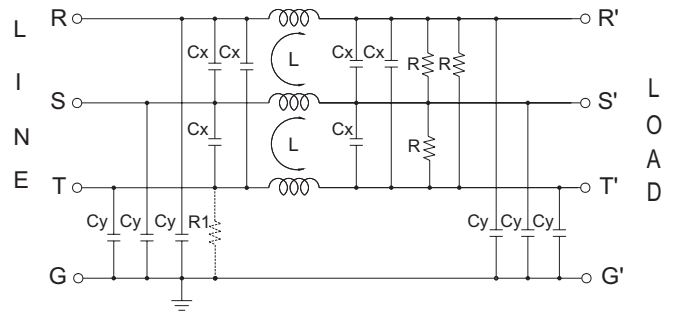
## INTRODUCTIONS

1. Applications: Electric equipment, UPS, machine tool, copy machine, automation equipment, robot, AC motor drive
2. Voltage rating: 480VAC
3. Operating frequency: 50/60Hz

## MINIMUM INSERTION LOSS IN dB

COMMON MODE (L-G) IN 50 OHM SYSTEM									
PART NO.	FREQUENCY-MHz								
	.01	.05	.10	.15	.50	1.0	5.0	10	30
08TDT2	20	30	40	50	65	65	55	50	50
16TDT2	15	25	35	45	70	65	55	50	50
25TDT2	15	25	35	40	50	50	50	40	30
36TDT2	10	35	50	50	60	60	50	40	55
50TDT2	5	30	50	50	50	50	50	50	50
DIFFERENTIAL MODE (L-L) IN 50 OHM SYSTEM									
08TDT2	10	10	20	50	65	65	55	50	50
16TDT2	10	10	40	50	70	65	55	50	50
25TDT2	10	10	40	45	50	50	50	40	30
36TDT2	10	20	40	50	60	60	50	45	45
50TDT2	5	20	40	45	50	50	50	50	50

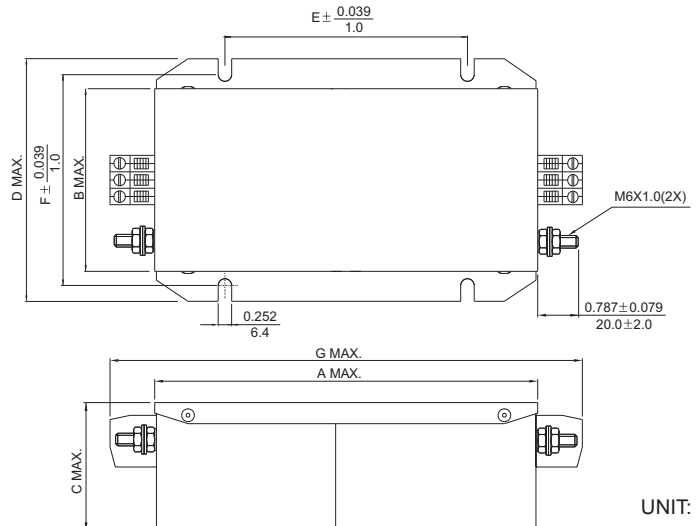
## ELECTRICAL SCHEMATIC



## SERIES DIMENSIONS

PART NO.	DIMENSIONS IN INCHES/mm							
	A	B	C	D	E	F	G	H
08TDT2	$\frac{7.165}{182.0}$	$\frac{3.425}{87.0}$	$\frac{2.40}{61.0}$	$\frac{4.606}{117.0}$	4.528	$\frac{3.937}{100.0}$	$\frac{8.898}{226.0}$	—
16TDT2	$\frac{7.953}{202.0}$	$\frac{4.803}{122.0}$	$\frac{2.598}{66.0}$	$\frac{5.984}{152.0}$		115.0	$\frac{5.354}{136.0}$	
25TDT2					$\frac{9.882}{251.0}$			
36TDT2								
50TDT2								

## MECHANICAL CONSTRUCTION



UNIT: INCH  
mm