



Chipsmall Limited consists of a professional team with an average of over 10 year of expertise in the distribution of electronic components. Based in Hongkong, we have already established firm and mutual-benefit business relationships with customers from,Europe,America and south Asia,supplying obsolete and hard-to-find components to meet their specific needs.

With the principle of “Quality Parts,Customers Priority,Honest Operation,and Considerate Service”,our business mainly focus on the distribution of electronic components. Line cards we deal with include Microchip,ALPS,ROHM,Xilinx,Pulse,ON,Everlight and Freescale. Main products comprise IC,Modules,Potentiometer,IC Socket,Relay,Connector.Our parts cover such applications as commercial,industrial, and automotives areas.

We are looking forward to setting up business relationship with you and hope to provide you with the best service and solution. Let us make a better world for our industry!



Contact us

Tel: +86-755-8981 8866 Fax: +86-755-8427 6832

Email & Skype: info@chipsmall.com Web: www.chipsmall.com

Address: A1208, Overseas Decoration Building, #122 Zhenhua RD., Futian, Shenzhen, China



DIGI-KEY

Issue :CE-VFK-BE-33

 Date of Issue :3 December, 2003

 Classification New , Changed , Revised

PRODUCT SPECIFICATION

Product Description :Aluminum Electrolytic Capacitor

 Product Part Number :**V type FK series**

 (Suffix "G" in dia. 8×10.2 to 10×10.2 are 5000 hours)

 Country of Origin :Japan

 Marking of the Origin :Printed on the packaging label(The name of Country of English)

 Classification of Spec. :Product specification

 Recommended Applications :ELECTRIC CIRCUIT

 For other application, contact our person signed below.

 Term of Validity 2 December, 2004 from the date of issue

| | |
|---|-------------------|
| CUSTOMER USE ONLY | Receipt Record #: |
| This was certainly received by us. One copy is being returned to the manufacturer. | Date of Receipt : |
| | Received by: |

- This capacitor is designed to be used for electronics circuits such as audio/visual equipment, home appliances, computers and other office equipment, optical equipment, measuring equipment and industrial robots.
- No Ozone Depleting Chemicals(ODC's), controlled under the Montreal Protocol Agreement, are used in producing this product.
- We do not PBBs or PBDEs as brominated flame retardants.
- All the materials that are used for this product are registered as "Known Chemicals" in the Japanese act "Law Concerning the Examination and Regulation of Manufacture, etc.of Chemical Substances".
- For the products, which are controlled items subject to the Foreign Exchange and Foreign Trade Control Law, the export permission according to the Law is necessary.

LCR Device Company Capacitor Business Unit
 Matsushita Electronic Components Co., Ltd.
 25, Nishinaka, Kowata, Uji City,
 Kyoto 611-8585 Japan
 TEL (0774)32-1111

| | | | |
|--|------------|-------------|---------|
| Prepared by :Engineering Group Foil/Aluminum Engineering Team TEL (0774)33-3209(Direct) FAX (0774)32-3189 | | | |
| Approval | Check | Check | Design |
| S.Iwamoto | H.Kurimoto | T.Yamaguchi | H.Handa |

V type FK series

Page No.
ContentsContents

| | | |
|--|---|-------------|
| ● Scope | } | P.1 ~ P.3 |
| ● Parts Number | | |
| ● Standard Rating | | |
| ● Dimensions and Appearance | | |
| ● Constructions | | P.4 |
| ● Performance Characteristics | | P.5 ~ P.8 |
| ● Marking | | P.9 |
| ● Other Specifications | | P.9 |
| ● Lot No. System | | P.10 |
| ● Parts Lists | | P.11 |
| ● Reflow Soldering and Temperature Profile | | P.12 |
| ● Taping Shape and Dimensions | | P.13 |
| ● Carrier Tape Packing Method | | P.14 ~ P.15 |
| ● Package Label Example | | P.16 |
| ● Notes in using Surface Mountable type Aluminum Electrolytic Capacitor | | P.17 ~ P.20 |

V type FK series

1

1. Scope

Fixed capacitors for use in electronic equipment, Surface Mount Type Aluminum electrolytic capacitors with non-solid electrolyte.

2. Parts number

| | | | | | |
|-----|-----|-----|-----|-----|-----|
| EEV | FK | OO | OOO | △ | □ |
| 2-1 | 2-2 | 2-3 | 2-4 | 2-5 | 2-6 |

•2-1 Surface Mount Type Aluminum Electrolytic Capacitor

•2-2 FK series

•2-3 Rated Voltage Code

| | | | | | | |
|---------------------|-----|----|----|----|----|----|
| Voltage code | 0J | 1A | 1C | 1E | 1V | 1H |
| Rated voltage(V.DC) | 6.3 | 10 | 16 | 25 | 35 | 50 |

•2-4 Capacitance Code: Indicate capacitance In μF by 3 letters. The first 2 figures are actual values and the third denotes the number of zeros.

“R” denotes the decimal point and all figures are the actual number with “R”.

ex. $0.1 \mu F \rightarrow R10$, $1 \mu F \rightarrow 1R0$, $10 \mu F \rightarrow 100$

•2-5 G : 5000hour guarantee article.

•2-6 Suffix Code for Appearance: Taping Code

| | |
|---|--------------|
| P | 24.0mm width |
|---|--------------|

See the drawing in item 11 Page 14 for the polarity alignment.

V type FK series

2

Can Size [Size code]

| Cap.(μ F) \ V.DC | 6.3 | 10 | 16 | 25 | 35 | 50 |
|-----------------------|-----|----|----|----|----|----|
| 100 | | | | | F | F |
| 150 | | | | | | |
| 220 | | | | F | F | G |
| 330 | | F | F | F | G | |
| 390 | | | | | | |
| 470 | F | F | F | G | | |
| 680 | | | G | | | |
| 1000 | F | G | | | | |
| 1500 | G | | | | | |

[mm]

Size code F: $\phi 8 \times 10.2L$ G: $\phi 10 \times 10.2L$

V type FK series

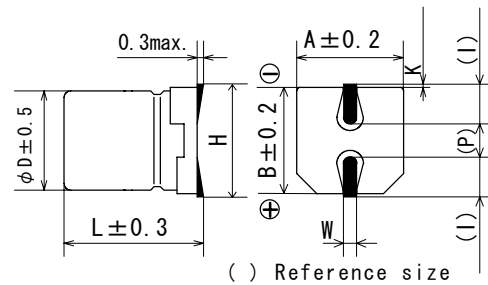
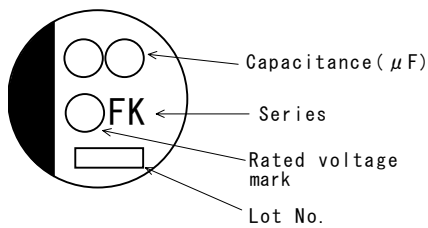
3. Standard rating

| No. | Item | Ratings | | | | | | | |
|-----|----------------------------|---------------------------------|-----|----|----|----|----|----|--|
| 1 | Category Temperature Range | -55 ~ +105°C | | | | | | | |
| 2 | Rated Voltage Range | 6.3 ~ 50 V.DC | | | | | | | |
| 3 | Capacitance Range | 100 ~ 1500 μ F (120Hz 20°C) | | | | | | | |
| 4 | Capacitance Tolerance | \pm 20% (120Hz 20°C) | | | | | | | |
| 5 | Surge Voltage (V.DC) | R.V. | 6.3 | 10 | 16 | 25 | 35 | 50 | |
| | | S.V. | 8 | 13 | 20 | 32 | 44 | 63 | |
| 6 | Rated Ripple Current | Page 11 , Table 3 | | | | | | | |

4. Dimensions and Appearance

The Ceiling Indication

[mm]



Rated Voltage Mark

[mm]

| | |
|---|------|
| j | 6.3V |
| A | 10V |
| C | 16V |
| E | 25V |
| V | 35V |
| H | 50V |

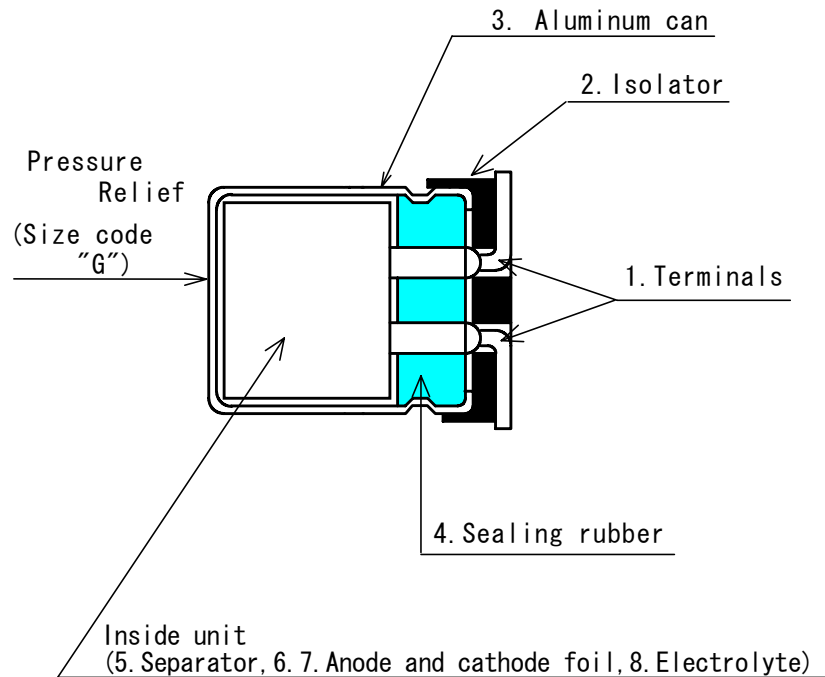
| Size Code | D | L | A,B | H | I | W | P | K |
|-----------|------|------|------|---------|-----|----------------|-----|----------------|
| F | 8.0 | 10.2 | 8.3 | 10.0max | 3.4 | 0.90 \pm 0.2 | 3.1 | 0.70 \pm 0.2 |
| G | 10.0 | 10.2 | 10.3 | 12.0max | 3.5 | 0.90 \pm 0.2 | 4.6 | 0.70 \pm 0.2 |

V type FK series

4

5. Constructions

5-1 Inside Construction



5-2 Construction parts

| | Parts | Materials | | Parts | Materials |
|---|----------------|-------------------------------|---|--------------|--------------------------------------|
| 1 | Terminal | Tinned Copper-Clad Steel wire | 5 | Separator | Manila hemp |
| 2 | Isolator | Thermo-plastic Resin | 6 | Anode Foil | High Purity Aluminum Foil |
| 3 | Aluminum Can | Aluminum | 7 | Cathode Foil | Aluminum Foil |
| 4 | Sealing Rubber | Synthetic rubber (IIR) | 8 | Electrolyte | Main Solvent γ -Butyrolactone |
| | | | | | Main Solute |

V type FK series

5

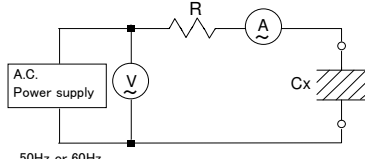
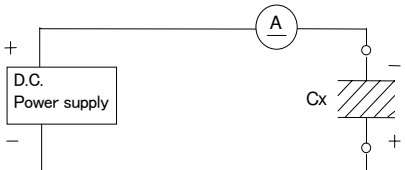
6. Performance Characteristics

| No | Item | Performance Characteristics | Test | | | | | | | | | | | | | | | | | | |
|--|---|---|---|----------------------|----------------------|------|---|-----------|---|---|--------------------------------|---------|---|-----------|------------|---|------------|---------|---|-----------|------------|
| 1 | Leakage Current | $\leq I=0.01CV$ or $3\mu A$ whichever is the greater. (I:Leakage current C:Capacitance) (V:Rated voltage) | Series Resistor : $1000\pm 10\Omega$ Applied Voltage : Rated voltage Measuring : After 2 minutes | | | | | | | | | | | | | | | | | | |
| 2 | Capacitance | Within the specified capacitance tolerance. | Measuring Frequency : $120\text{Hz}\pm 20\%$ Measuring Circuit : Equivalent series circuit Measuring Voltage : $+1.5\sim 2\text{ V.DC}$ ($\leq 0.5\text{ V}$ for A.C.) | | | | | | | | | | | | | | | | | | |
| 3 | Tangent of Loss Angle ($\tan \delta$) | Less than the table 1 value of page 9. | Measuring Frequency : $120\text{Hz}\pm 20\%$ Measuring Circuit : Equivalent series circuit Measuring Voltage : $+1.5\sim 2\text{ V.DC}$ ($\leq 0.5\text{ V}$ for A.C.) | | | | | | | | | | | | | | | | | | |
| 4 | Characteristics at High and Low Temperature | Step 2 Impedance Ratio: Less than the table 2 value of page 9 ratio against step 1. | <table border="1"> <thead> <tr> <th>Step</th> <th>Test Temperature(°C)</th> <th>Time</th> </tr> </thead> <tbody> <tr> <td>1</td> <td>20 ± 2</td> <td>—</td> </tr> <tr> <td>2</td> <td>$-25\pm 3, -40\pm 3, -55\pm 3$</td> <td>30 min.</td> </tr> <tr> <td>3</td> <td>20 ± 2</td> <td>10~15 min.</td> </tr> <tr> <td>4</td> <td>105 ± 2</td> <td>30 min.</td> </tr> <tr> <td>5</td> <td>20 ± 2</td> <td>10~15 min.</td> </tr> </tbody> </table> Impedance should be measured $120\text{Hz}\pm 10\%$. | Step | Test Temperature(°C) | Time | 1 | 20 ± 2 | — | 2 | $-25\pm 3, -40\pm 3, -55\pm 3$ | 30 min. | 3 | 20 ± 2 | 10~15 min. | 4 | 105 ± 2 | 30 min. | 5 | 20 ± 2 | 10~15 min. |
| | | Step | | Test Temperature(°C) | Time | | | | | | | | | | | | | | | | |
| 1 | 20 ± 2 | — | | | | | | | | | | | | | | | | | | | |
| 2 | $-25\pm 3, -40\pm 3, -55\pm 3$ | 30 min. | | | | | | | | | | | | | | | | | | | |
| 3 | 20 ± 2 | 10~15 min. | | | | | | | | | | | | | | | | | | | |
| 4 | 105 ± 2 | 30 min. | | | | | | | | | | | | | | | | | | | |
| 5 | 20 ± 2 | 10~15 min. | | | | | | | | | | | | | | | | | | | |
| Step 4 Leakage Current: $\leq 800\%$ of the value of item 6.1. Capacitance Change: Within $\pm 25\%$ of the value in step 1. Tangent of Loss Angle ($\tan \delta$): \leq the value of item 6.3. | | | | | | | | | | | | | | | | | | | | | |
| 5 | Surge | Leakage Current: \leq the value of item 6.1. Capacitance Change: Within $\pm 15\%$ of initial measured value. Tangent of Loss Angle ($\tan \delta$): \leq the value of item 6.3. Appearance: No significant change can be observed. | Test temperature : $15\sim 35^\circ\text{C}$ Series Protective Resistance : $R = \frac{100 \pm 50}{C}$ (R: Protective resistance(k Ω)) (C: Capacitance(μF)) Test voltage : Surge voltage item 3.5 Applied voltage : 1000 cycles of $30\pm 5\text{ sec}$ "ON" and 5 min 30 sec "OFF". | | | | | | | | | | | | | | | | | | |
| 6 | Vibration | Capacitance : During test, measured value shall be stabilized.(Measured several times within 30 min. before completion of test) Appearance : No significant change can be observed. Capacitance Change : Within $\pm 5\%$ of initial measured value. | Frequency : $10\sim 55\text{ Hz}$ (1 minute per cycle.) Total amplitudes : 1.5 mm Direction and duration of vibration : It is done in the X,Y,Z axis direction for 2 hours each, with a total of 6 hours. | | | | | | | | | | | | | | | | | | |

V type FK series

6

| No | Item | Performance Characteristics | Test | | | | |
|---------------|-------------------------------------|---|--|---------------|-----|-----------|----------|
| 7 | Robustness of Termination (Tensile) | There is no damage or breakage after test. | <p>After fixing the capacitors, the terminals are pulled in a vertical direction. Load is gradually increased until it reached the value specified below and held for 10 seconds.</p> <table border="1"> <tr> <td>Pull Strength</td> <td>10N</td> </tr> <tr> <td>Keep time</td> <td>10±1sec.</td> </tr> </table> | Pull Strength | 10N | Keep time | 10±1sec. |
| Pull Strength | 10N | | | | | | |
| Keep time | 10±1sec. | | | | | | |
| 8 | Solderability | <p>More than 95% of the terminal surface shall be covered with new solder.</p> <p>(Exclude the cross-section of cutting lead edge.)</p> | <p>Solder Type : H60A,H60S,or H63A(JIS Z3282) Solder Temperature : 235±5 °C Immersing Time : 2±0.5 sec. Immersing Depth : Dip the terminals for Approx. 0.5~1 mm thick Flux : Approx 25% rosin(JIS K5902) in Ethanol(JIS K8101)</p> | | | | |
| 9 | Resistance to Soldering heat | <p>Leakage Current : ≤the value of item 6.1. Capacitance Change : Within ±10% of initial measured value. Tangent of Loss Angle (tan δ) : ≤the value of item 6.3. Appearance : No significant change can be observed.</p> | <p>After reflow soldering (item 9 page 12) The capacitor shall be left at room temperature for before measurement.</p> | | | | |
| 10 | Solvent Resistance of the Marking | There shall be no damage and legibly marked. Marking can be deciphered easily. | <p>Class of Reagent : Isopropyl Alcohol Test Temperature : 20~25°C Immersing time : 30±5 sec.</p> | | | | |
| 11 | Damp Heat (steady state) | <p>Leakage Current : ≤the value of item 6.1. Capacitance Change : Within ±15% of initial measured value. Tangent of Loss Angle (tan δ) : ≤120% the value of item 6.3. Appearance : No significant change can be observed.</p> | <p>Test Temperature : 40±2°C Relative Humidity : 90~95% Test Duration : 240±8 hours</p> <p>After subjected to the test, the capacitors shall be left for 2 hours at room temperature and room humidity prior to the measurement.</p> | | | | |

| No | Item | Performance Characteristics | Test | | | | | | | | | | | | | | | | | | | | |
|------------------------|------------------------------------|---|--|-------------------|--------------------|-----|------------|-------------|----------|---------------|--------|-----------------|---------|-------------------|------------|---------|---|------------------------|-----------------|--------|-----------|--------|------------|
| 12 | Pressure Relief (Size code "G") | Pressure relief shall be operated without any hazardous expulsion or emission of flame. No emission of gas after 30 minutes of the voltage application also meets the specification. | <p>• A.C. Current Method</p>  <p>50Hz or 60Hz</p> <p>(A) : A.C. ammeter R : Series resistor (V) : A.C. voltmeter Cx : Tested capacitor</p> <p>Applied Voltage : A.C. voltage equals to R.V. x 0.7 or 250 V(rms) whichever is smaller.</p> <table border="1"> <thead> <tr> <th>Capacitance (μ F)</th> <th>D.C. resistance(Ω)</th> </tr> </thead> <tbody> <tr> <td>≤ 1</td> <td>1000 ± 100</td> </tr> <tr> <td>> 1 ≤ 10</td> <td>100 ± 10</td> </tr> <tr> <td>> 10 ≤ 100</td> <td>10 ± 1</td> </tr> <tr> <td>> 100 ≤ 1000</td> <td>1 ± 0.1</td> </tr> <tr> <td>> 1000 ≤ 10000</td> <td>0.1 ± 0.01</td> </tr> <tr> <td>> 10000</td> <td>※</td> </tr> </tbody> </table> <p>* When capacitance is over 10000 μ F, the value of series resistance equals to the half of the tested capacitor's impedance.</p> <p>• Reverse Voltage Method</p>  <p>(A) : D.C. ammeter Cx : Tested capacitor</p> <table border="1"> <thead> <tr> <th>Nominal Diamether (mm)</th> <th>D.C. Current(A)</th> </tr> </thead> <tbody> <tr> <td>≤ 22.4</td> <td>1 (const)</td> </tr> <tr> <td>> 22.4</td> <td>10 (const)</td> </tr> </tbody> </table> | Capacitance (μ F) | D.C. resistance(Ω) | ≤ 1 | 1000 ± 100 | > 1 ≤ 10 | 100 ± 10 | > 10 ≤ 100 | 10 ± 1 | > 100 ≤ 1000 | 1 ± 0.1 | > 1000 ≤ 10000 | 0.1 ± 0.01 | > 10000 | ※ | Nominal Diamether (mm) | D.C. Current(A) | ≤ 22.4 | 1 (const) | > 22.4 | 10 (const) |
| Capacitance (μ F) | D.C. resistance(Ω) | | | | | | | | | | | | | | | | | | | | | | |
| ≤ 1 | 1000 ± 100 | | | | | | | | | | | | | | | | | | | | | | |
| > 1 ≤ 10 | 100 ± 10 | | | | | | | | | | | | | | | | | | | | | | |
| > 10 ≤ 100 | 10 ± 1 | | | | | | | | | | | | | | | | | | | | | | |
| > 100 ≤ 1000 | 1 ± 0.1 | | | | | | | | | | | | | | | | | | | | | | |
| > 1000 ≤ 10000 | 0.1 ± 0.01 | | | | | | | | | | | | | | | | | | | | | | |
| > 10000 | ※ | | | | | | | | | | | | | | | | | | | | | | |
| Nominal Diamether (mm) | D.C. Current(A) | | | | | | | | | | | | | | | | | | | | | | |
| ≤ 22.4 | 1 (const) | | | | | | | | | | | | | | | | | | | | | | |
| > 22.4 | 10 (const) | | | | | | | | | | | | | | | | | | | | | | |

V type FK series

8

| No | Item | Performance characteristics | Test |
|----|------------|---|---|
| 13 | Endurance | Leakage Current : \leq the value of item 6.1. Capacitance change : Within $\pm 35\%$ of initial measured value. Tangent of Loss Angle ($\tan \delta$) : $\leq 300\%$ of the value of item 6.3. Appearance : No significant change can be observed. | Test Temperature : 105 ± 2 °C Test Duration : 5000^{+72}_0 hours Applied Voltage : Rated voltage After subjected to the test, the capacitors shall be left at room temperature and room humidity for 2 hours prior to the measurement. |
| 14 | Shelf Life | Leakage Current : \leq the value of item 6.1. Capacitance Change : Within $\pm 35\%$ of initial measured value. Tangent of Loss Angle ($\tan \delta$) : $\leq 300\%$ of the value of item 6.3. Appearance : No significant change can be observed. | Test Temperature : 105 ± 2 °C Test Duration : 1000^{+48}_0 hours After subjected to the test, D.C. rated voltage shall be applied to the capacitors for 30 minutes as post-test treatment after left at the room temperature and humidity for 2 hours prior to the measurement. |

* Voltage treatment : The rated voltage shall be applied to the capacitors, which are connected to series protective resistors ($1000 \pm 10 \Omega$), for 30 minutes as a posttest treatment (performing discharge).

V type FK series

9

7. Marking

Marking Color : BLACK

(1) Following items shall be marked on the body of Capacitor.

- a) Rated Voltage Mark
- b) Capacitance
- c) Negative Polarity
- d) Series Mark
- e) Lot No.

(2) Label On the Taping Reel by English

- a) Rated Voltage, Capacitance
- b) Matsushita Electric Trademark
- c) Part Number
- d) Packing Quantity
- e) Serial No.
- f) Manufacturer's Name
- g) Country of Origin

8. Other

Unless otherwise specified, the product shall conform to JIS C 5140.

Country of origin : JAPAN

Manufacturing factory : Yamaguchi Matsushita Electric Co.,Ltd.

1285, Aza-Sakutaguchi, Oaza-Asada, Yamaguchi City, Yamaguchi 753-8536 Japan

■ Table 1. Tangent of Loss Angle($\tan \delta$)

| | | | | | | |
|-----------------------|------|------|------|------|------|------|
| R.V.(V D.C.) | 6.3 | 10 | 16 | 25 | 35 | 50 |
| D.F.($\tan \delta$) | 0.26 | 0.19 | 0.16 | 0.14 | 0.12 | 0.10 |

Added 0.02 per 1000 μ F for items with over 1000 μ F items.

■ Table 2. Characteristics at low temperature Impedance ratio (at 120Hz)

| | | | | | | |
|------------------|-----|----|----|----|----|----|
| R.V.(V D.C.) | 6.3 | 10 | 16 | 25 | 35 | 50 |
| Z(-25°C)/Z(20°C) | 2 | 2 | 2 | 2 | 2 | 2 |
| Z(-40°C)/Z(20°C) | 3 | 3 | 3 | 3 | 3 | 3 |
| Z(-55°C)/Z(20°C) | 4 | 4 | 4 | 3 | 3 | 3 |

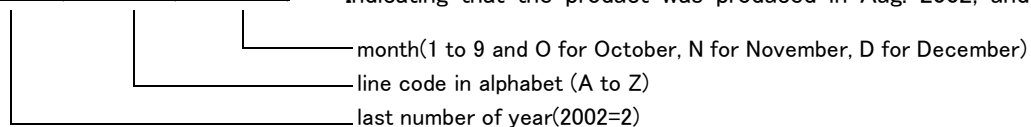
■ Table 3. Frequency Correction Factor of Rated Ripple Current

| | Frequency (Hz) | | | | |
|-------------|----------------|------|------|------|-------|
| | 50,60 | 120 | 1k | 10k | 100k~ |
| Coefficient | 0.70 | 0.75 | 0.90 | 0.95 | 1.00 |

A lot No. shall be given on the bottom of a case in the following way.

| | | |
|---|---|---|
| 2 | A | 8 |
|---|---|---|

Indicating that the product was produced in Aug. 2002, under a line A.



| production year | production month | | production date | |
|--|------------------|-------------|-----------------|-----------|
| 1:2001 | 1:January | 7:July | A=1 date | 1=27 date |
| 2:2002 | 2:February | 8:August | B=2 | 2=28 |
| 3:2003 | 3:March | 9:September | C=3 | 3=29 |
| | 4:April | O:October | ~ | 4=30 |
| Indicating with the last digit or the last 2 digits of a year. | 5:May | N:November | Y=25 | 5=31 |
| | 6:June | D:December | Z=26 | |

V type FK series

11

Parts lists

| Size Code | Taping Part No. | R.V. V.DC | Cap. μ F | Tangent of Loss Angle ($\tan \delta$) max. | Leakage Current μ A max. | Impedance Ω (100kHz,+20°C) max. | Rated Ripple Current mA rms (100kHz,105°C) max. |
|-----------|-----------------|--------------|-----------------|---|---------------------------------------|---|--|
| F | EEVFK0J471GP | 6.3 | 470 | 0.26 | 29.6 | 0.16 | 600 |
| F | EEVFK0J102GP | 6.3 | 1000 | 0.26 | 63.0 | 0.16 | 600 |
| G | EEVFK0J152GP | 6.3 | 1500 | 0.26 | 94.5 | 0.08 | 850 |
| | | | | | | | |
| F | EEVFK1A331GP | 10 | 330 | 0.19 | 33.0 | 0.16 | 600 |
| F | EEVFK1A471GP | 10 | 470 | 0.19 | 47.0 | 0.16 | 600 |
| G | EEVFK1A102GP | 10 | 1000 | 0.19 | 100.0 | 0.08 | 850 |
| | | | | | | | |
| F | EEVFK1C331GP | 16 | 330 | 0.16 | 52.8 | 0.16 | 600 |
| F | EEVFK1C471GP | 16 | 470 | 0.16 | 75.2 | 0.16 | 600 |
| G | EEVFK1C681GP | 16 | 680 | 0.16 | 108.8 | 0.08 | 850 |
| | | | | | | | |
| F | EEVFK1E221GP | 25 | 220 | 0.14 | 55.0 | 0.16 | 600 |
| F | EEVFK1E331GP | 25 | 330 | 0.14 | 82.5 | 0.16 | 600 |
| G | EEVFK1E471GP | 25 | 470 | 0.14 | 117.5 | 0.08 | 850 |
| | | | | | | | |
| F | EEVFK1V101GP | 35 | 100 | 0.12 | 35.0 | 0.16 | 600 |
| F | EEVFK1V221GP | 35 | 220 | 0.12 | 77.0 | 0.16 | 600 |
| G | EEVFK1V331GP | 35 | 330 | 0.12 | 115.5 | 0.08 | 850 |
| | | | | | | | |
| F | EEVFK1H101GP | 50 | 100 | 0.10 | 50.0 | 0.34 | 350 |
| G | EEVFK1H221GP | 50 | 220 | 0.10 | 110.0 | 0.18 | 670 |
| | | | | | | | |

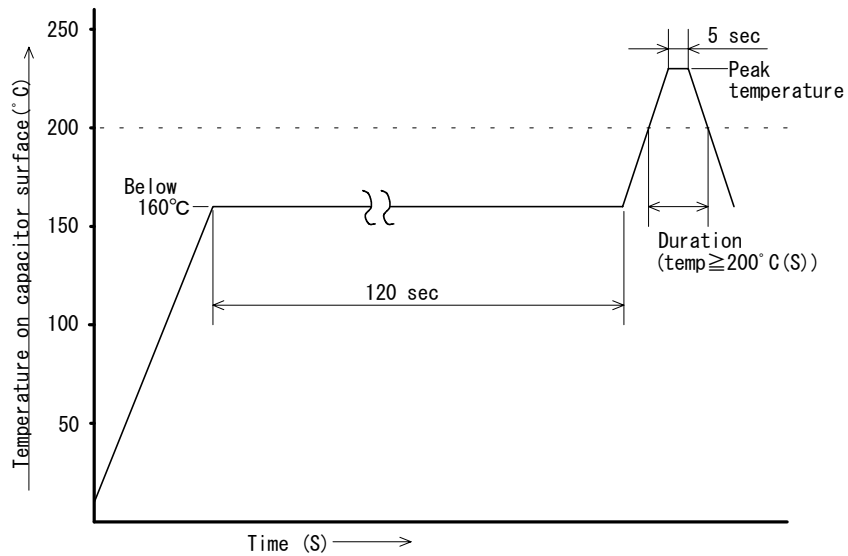
9. Reflow Soldering Temperature Profile

After the capacitor is subjected to the specified reflow soldering, (see the temperature profile below), it shall meet the condition stated in the page 6, item No.9

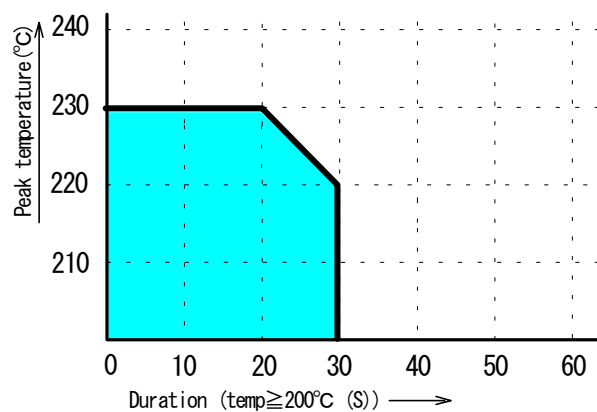
<Reflow soldering condition>

The temperature shall be measured with thermal couple (type K, $\phi 0.1\text{mm}$) which shall be placed and fixed on the top of capacitor body.

Maximum Permissible Reflow Soldering Temperature Profile



Peak temperature / Duration (temp ≥ 200°C (S))



* Soldering Method : I.R. or I.R. + heated air.
(VPS Method is not Available.)

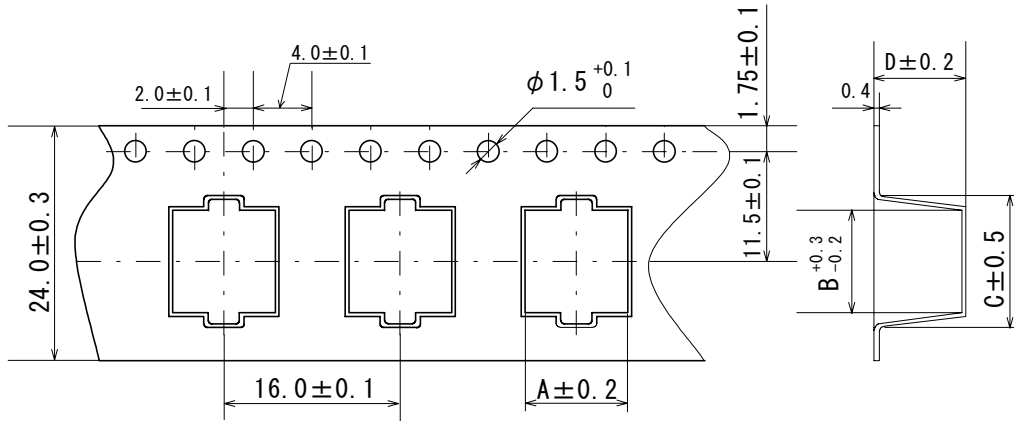
V type FK series

10. Taping

10-1 Carrier Tape

Size code F,G

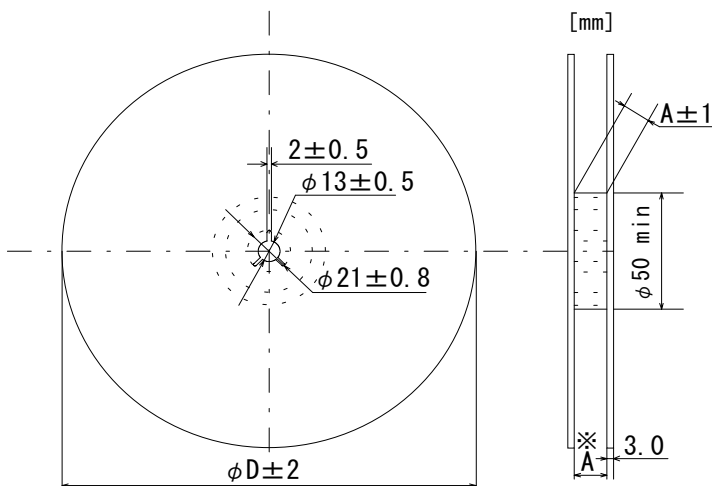
[mm]



| Size Code | A | B | C | D |
|-----------|------|------|------|------|
| F | 8.7 | 8.7 | 12.5 | 11.0 |
| G | 10.7 | 10.7 | 14.5 | 11.0 |

* Dimensions of A and B are measured at the bottom of the embossed part.

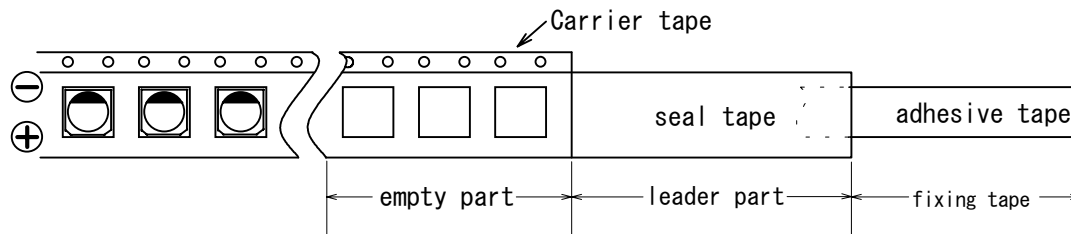
10-2 Reel



| Size Code | Reel Width(A) | φ D |
|-----------|---------------|-----|
| F | 26 | 380 |
| G | 26 | 380 |

※ The A dimension at the edge of flange shall be less than 1.5 times of the specified value.

11. Details of Carrier Tape

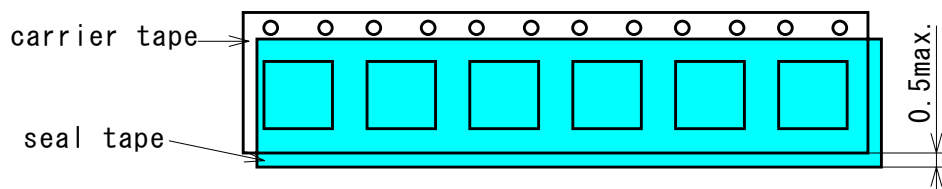


(1)

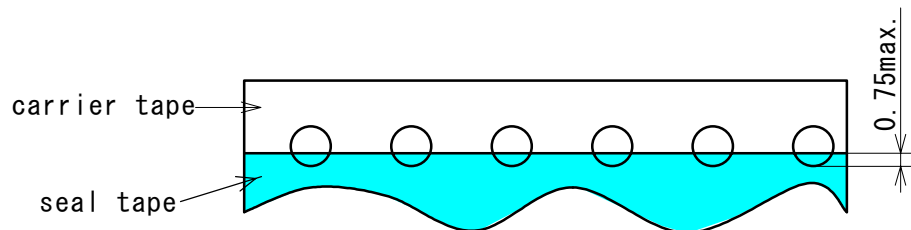
- a. Last reeling empty part of carrier tape shall be more than 10 cm.
- b. Leader part of seal tape shall be more than 20 cm.
- c. First reeling Empty part of carrier tape shall be more than 10 cm.
- d. Adhesive tape fixing the end of the leader part shall be approx, 10 cm.

(2) Deviation between carrier tape and seal tape.

- a. Deviation between carrier tape and seal tape shall be less than 0.5 mm.



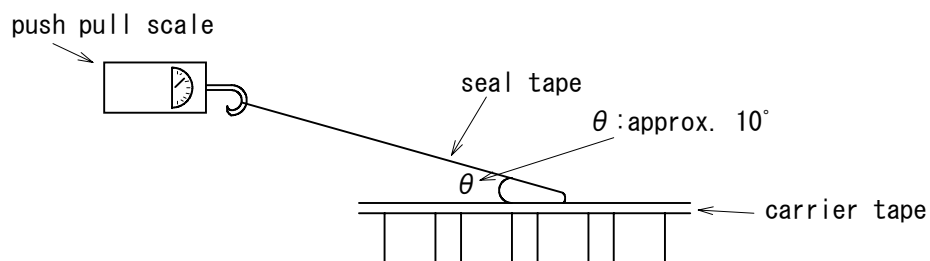
- b. Seal tape shall not cover on the feeding holes more than 0.75 mm.



12. Adhesion Test

Reasonable pulling strength: 0.1~0.7 N

Pulling speed: 300 mm / min

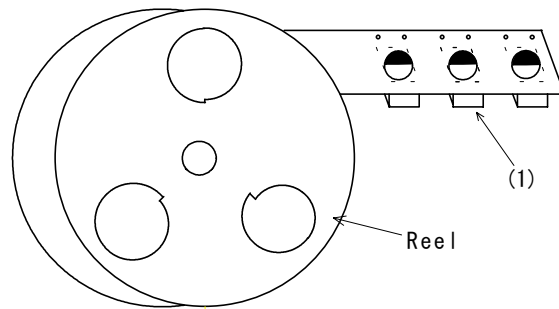


V type FK series

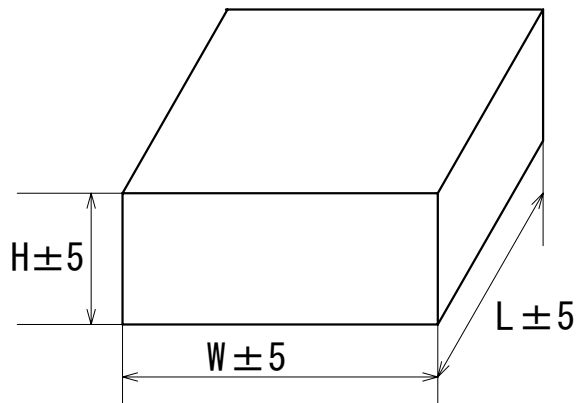
15

13. Packing Style

- (1) Carrier tape shall be reeled inside. (seal tape shall be outside)
 (2) End of the tape shall be inside to the reel physically as shown in the below figure and leader part of seal tape shall not be attached.

14. Dimensions of Outer Carton Box

Dimensions of outer carton box are subject to change without Notice for adjustment to Reel Size.



| [mm] | | |
|-----------|-----|-----|
| Size Code | H | W,L |
| F | 220 | 395 |
| G | 220 | 395 |

15. Packaging quantity

| Size Code | One reel (pcs.) | One outer carton box (reel) | Total quantity (pcs.) |
|-----------|-----------------|-----------------------------|-----------------------|
| F | 500 | 6 | 3000 |
| G | 500 | 6 | 3000 |

* Let an order unit be 1 reel unit.

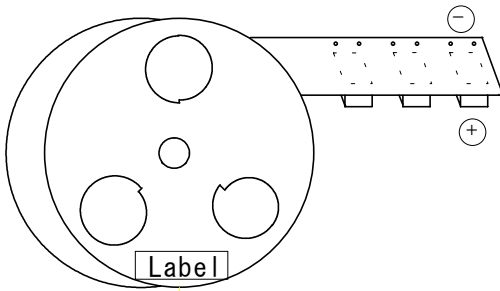
V type FK series

16

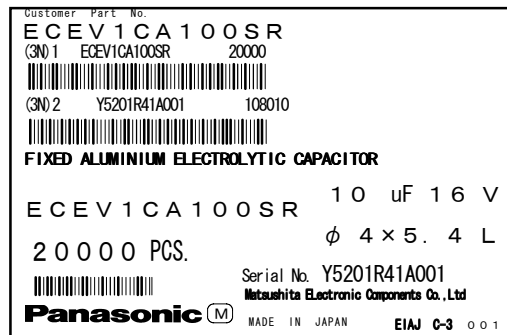
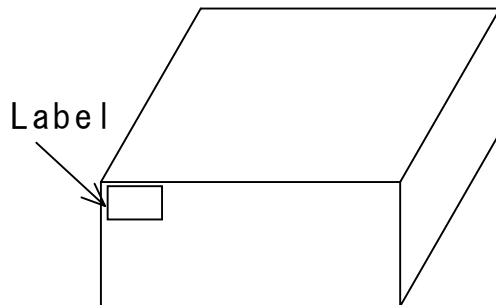
16.Package Label Example

* The example of a label

16-1 A display to a reel



16-2 Outer Box



Application Guidelines

17

1. Circuit Design**1.1 Operating Temperature and Frequency**

Electrical parameters for electrolytic capacitors are normally specified at 20 °C temperature and 120 Hz frequency. These parameters vary with changes in temperature and frequency. Circuit designers should take these changes into consideration.

(1) Effects of operating temperature on electrical parameters

- a) At higher temperatures, leakage current and capacitance increase while equivalent series resistance (ESR) decreases.
- b) At lower temperatures, leakage current and capacitance decrease while equivalent series resistance (ESR) increases.

(2) Effects of frequency on electrical parameters

- a) At higher frequencies, capacitance and impedance decrease while $\tan \delta$ increases.
- b) At lower frequencies, heat generated by ripple current will rise due to an increase in equivalent series resistance (ESR).

1.2 Operating Temperature and Life Expectancy

(1) Expected life is affected by operating temperature. Generally, each 10 °C reduction in temperature will double the expected life. Use capacitors at the lowest possible temperature below the upper category temperature.

(2) If operating temperatures exceed the upper category limit, rapid deterioration of electrical parameter will occur and irreversible damage will result.

Check for the maximum capacitor operating temperatures including ambient temperature, internal capacitor temperature rise due to ripple current, and the effects of radiated heat from power transistors, IC's or resistors.

Avoid placing components, which could conduct heat to the capacitor from the back side of the circuit board.

(3) The formula for calculating expected life at lower operating temperatures is as follows ;

$$L_2 = L_1 \times 2^{\frac{T_1 - T_2}{10}}$$

L_1 : Guaranteed life (h) at temperature, T_1 °C

L_2 : Expected life (h) at temperature, T_2 °C

T_1 : Upper category temperature (°C)

T_2 : Actual operating temperature, ambient temperature + temperature rise due to ripple current heating(°C)

1.3 Common Application Conditions to Avoid

The following misapplication load conditions will cause rapid deterioration of a capacitor's electrical parameters.

In addition, rapid heating and gas generation within the capacitor can occur, causing the pressure relief vent to operate and resultant leakage of electrolyte. Under extreme conditions, explosion and fire ignition could result.

The leaked electrolyte is combustible and electrically conductive.

(1) Reverse Voltage

DC capacitors have polarity. Verify correct polarity before insertion. For circuits with changing or uncertain polarity, use DC bipolar capacitors. DC bipolar capacitors are not suitable for use in AC circuits.

(2) Charge / Discharge Applications

Standard capacitors are not suitable for use in repeating charge/discharge applications. For charge/discharge applications, consult us with your actual application condition.

(3) Over voltage

Do not apply voltages exceeding the maximum specified rated voltage. Voltages up to the surge voltage rating are acceptable for short periods of time. Ensure that the sum of the DC voltage and the superimposed AC ripple voltage does not exceed the rated voltage.

(4) Ripple Current

Do not apply ripple currents exceeding the maximum specified value. For high ripple current applications, use a capacitor designed for high ripple currents. In addition, consult us if the applied ripple current is to be higher than the maximum specified value. Ensure that rated ripple currents that superimposed on low DC bias voltages do not cause reverse voltage conditions.

1.4 Using Two or More Capacitors in Series or Parallel

(1) Capacitors Connected in Parallel

The circuit resistance can closely approximate the series resistance of the capacitor, causing an imbalance of ripple current loads within the capacitors. Careful wiring methods can minimize the possible application of an excessive ripple current to a capacitor.

(2) Capacitors Connected in Series

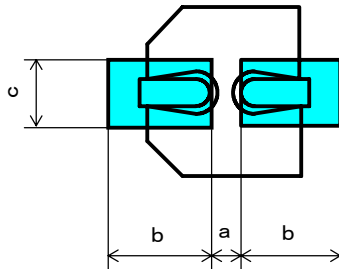
Differences in normal DC leakage current among capacitors can cause voltage imbalances. The use of voltage divider shunt resistors with consideration to leakage currents can prevent capacitor voltage imbalances.

Application Guidelines

18

1.5 Capacitor Mounting Considerations

- (1) Double-Sided Circuit Boards
Avoid wiring pattern runs, which pass between the mounted capacitor and the circuit board.
- (2) Land/Pad Pattern
The circuit board land / pad pattern size for chip capacitor is specified in the following table.



Land space



[Table of Board Land Size vs. Capacitor Size]

| Size / Dimension | a | b | c |
|------------------------------|-----|-----|-----|
| F ($\phi 8 \times 10.2L$) | 3.1 | 4.0 | 2.0 |
| G ($\phi 10 \times 10.2L$) | 4.6 | 4.1 | 2.0 |

[mm]

※The land pattern and size shall be decided in consideration of mountability, solderability and strength.

- (3) Clearance for Case Mounted Pressure Relief
Capacitors with case mounted pressure relief require sufficient clearance to allow for proper pressure relief operation. The minimum clearance are dependent on capacitor diameters as follows. ($\phi 10$ mm)
- (4) Wiring Near the Pressure Relief
Avoid locating high voltage or high current wiring or circuit board paths above the pressure relief. Flammable, high temperature gas that exceeds 100°C may be released which could dissolve the wire insulation and ignite.
- (5) Circuit Board Patterns Under the Capacitor
Avoid circuit board runs under the capacitor, as an electrical short can occur due to an electrolyte leakage.

1.6 Electrical Isolation of the capacitor

- Completely isolate the capacitor as follows.
- Between the cathode and the case and between the anode terminal and other circuit paths.

1.7 Capacitor Sleeve

The laminate coating is intended for marking and identification purposes and is not meant to electrically insulate the capacitor.

CAUTION!

Always consider safety when designing equipment and circuits. Plan for the worst case failure modes such as short circuits and open circuits which could occur during use.

- Provide protection circuits and protection devices to allow safe failure modes.
- Design redundant or secondary circuits where possible to assure continued operation in case of main circuit failure.

Application Guidelines

2 Capacitor Handling Techniques**2.1 Considerations Before Using**

- (1) Capacitors have a finite life. Do not reuse or recycle capacitors from used equipment
- (2) Transient recovery voltage may be generated in the capacitor due to dielectric absorption. If required, this voltage can be discharged with a resistor with a value of about $1k\Omega$.
- (3) Capacitors stored for a long period of time may exhibit an increase in leakage current. This can be corrected by gradually applying rated voltage in series with a resistor of approximately $1k\Omega$.
- (4) If capacitors are dropped, they can be damaged mechanically or electrically. Avoid using dropped capacitors.
- (5) Dented or crushed capacitors should not be used. The seal integrity can be damaged and loss of electrolyte / shortened life can result.

2.2 Capacitor Insertion

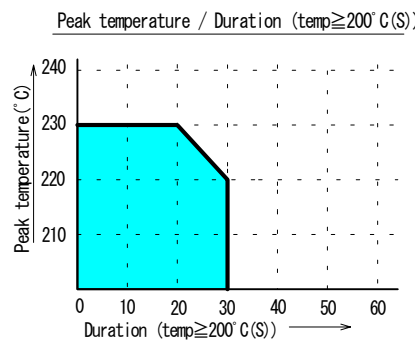
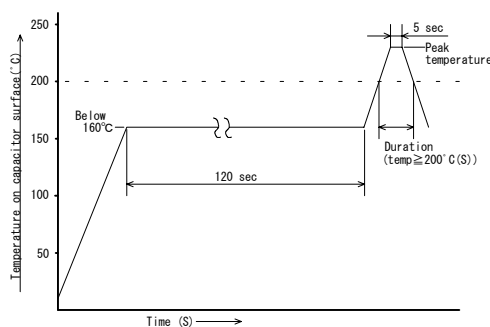
- (1) Verify the correct capacitance and rated voltage of the capacitor.
- (2) Verify the correct polarity of the capacitor before insertion.
- (3) Verify the correct hole spacing and land pattern size before insertion to avoid stress on the terminals.
- (4) For chip type capacitors, excessive mounting pressure can cause high leakage current, short circuit, or disconnection.

2.3 Manual Soldering

- (1) Observe temperature and time soldering specifications or do not exceed temperatures of 350°C for 3 seconds or less.
- (2) If a soldered capacitor must be removed and reinserted, avoid excessive stress on the capacitor leads.
- (3) Avoid physical contacts between the tip of the soldering iron and capacitors to prevent or capacitor failure.

2.4 Reflow Soldering

- (1) For reflow, use a thermal conduction system such as infrared radiation (IR) or hot blast. Vapor heat transfer systems (VPS) are not recommended.
- (2) Observe proper soldering conditions (temperature, time, etc.). Do not exceed the specified limits.
- (3) Reflow should be performed one time. Consult us for additional reflow restrictions.



※ The Temperature on Capacitor top shall be measured by using thermal couple that is fixed firmly by epoxy glue.

2.5 Capacitor Handling after Soldering

- (1) Avoid moving the capacitor after soldering to prevent excessive stress on the lead wires where they enter the seal.
- (2) Do not use the capacitor as a handle when moving the circuit board assembly.
- (3) Avoid striking the capacitor after assembly to prevent failure due to excessive shock.

2.6 Circuit Board Cleaning

- (1) Circuit boards can be immersed or ultrasonically cleaned using suitable cleaning solvents for up to 5 minutes and up to 60°C maximum temperatures. The boards should be thoroughly rinsed and dried.

The use of ozone depleting cleaning agents is not recommended for the purpose of protecting our environment.

- (2) Avoid using the following solvent groups unless specifically allowed for in the specification;
 - Halogenated cleaning solvents : except for solvent resistant capacitor types, halogenated solvents can permeate the seal and cause internal capacitor corrosion and failure. For solvent resistant capacitors, carefully follow the temperature and time requirements based on the specification. 1-1-1 trichloroethane should never be used on any aluminum electrolytic capacitor.
 - Alkaline solvents : could react and dissolve the aluminum case.
 - Petroleum based solvents : deterioration of the rubber seal could result.
 - Xylene : deterioration of the rubber seal could result.
 - Acetone : removal of the ink markings on the vinyl sleeve could result.
- (3) A thorough drying after cleaning is required to remove residual cleaning solvents that may be trapped between the capacitor and the circuit board. Avoid drying temperatures, which exceed the upper category temperature of the capacitor.

Application Guidelines

20

- (4) Monitor the cotamination levels of the cleaning solvents during use in terms of electrical conductivity, pH, specific gravity, or water content. Chlorine levels can rise with contamination and adversely affect the performance of the capacitor.

Please consult us if you are not certain about acceptable cleaning solvents or cleaning methods.

2.7 Mounting Adhesives and Coating Agents

When using mounting adhesives or coating agents to control humidity, avoid using materials containing halogenated solvents. Also, avoid the use of chloroprene based polymers. Harden on dry adhesive or coating agents well lest the solvent should be left.

After applying adhesives or coatings, dry thoroughly to prevent residual solvents from being trapped between the capacitor and the circuit board.

2.8 Fumigation

In exporting electronic appliances with aluminum electrolytic capacitors, in some cases fumigation treatment using such halogen compound as methyl bromide is conducted for wooden boxes.

If such boxes are not dried well, the halogen left in the box is dispersed while transported and enters in the capacitors inside.

This possibly causes electrical corrosion of the capacitors. Therefore, after performing fumigation and drying make sure that no halogen is left.

Don't perform fumigation treatment to the whole electronic appliances packed in a box.

3. Precautions for using capacitors

3.1 Environmental Conditions

Capacitors should not be stored or used in the following environments.

- (1) Exposure to temperatures above the upper category or below the lower category temperature of the capacitor.
- (2) Direct contact with water, salt water, or oil.
- (3) High humidity conditions where water could condense on the capacitor.
- (4) Exposure to toxic gases such as hydrogen sulfide, sulfuric acid, nitric acid, chlorine, chlorine compound, bromine, bromine compound or ammonia.
- (5) Exposure to ozone, radiation, or ultraviolet rays.
- (6) Vibration and shock conditions exceeding specified requirements.

3.2 Electrical Precautions

- (1) Avoid touching the terminals of a capacitor as a possible electric shock could result. The exposed aluminum case is not insulated and could also cause electric shock if touched.
- (2) Avoid short circuiting the area between the capacitor terminals with conductive materials including liquids such as acids or alkaline solutions.

4. Emergency Procedures

- (1) If the pressure relief of the capacitor operates, immediately turn off the equipment and disconnect from the power source. This will minimize additional damage caused by the vaporizing electrolyte.
- (2) Avoid contact with the escaping electrolyte gas, which can exceed 100 °C temperatures.
If electrolyte or gas enters the eye, immediately flush the eye with large amounts of water.
If electrolyte or gas is ingested by mouth, gargle with water.
If electrolyte contacts the skin, wash with soap and water.

5. Long Term Storage

Leakage current of a capacitor increases with long storage times. The aluminum oxide film deteriorates as a function of temperature and time. If used without reconditioning, an abnormally high current will be required to restore the oxide film. This current surge could cause the circuit or the capacitor to fail.

After one year, a capacitor should be reconditioned by applying the rated voltage in series with a 1000Ω, current limiting resistor for a time period of 30 minutes.

5.1 Environmental Conditions

- (1) Exposure to temperatures above the upper category or below the lower category temperature of the capacitor.
- (2) Direct contact with water, salt water, or oil.
- (3) High humidity conditions where water could condense on the capacitor.
- (4) Exposure to toxic gases such as hydrogen sulfide, sulfuric acid, nitric acid, chlorine, chlorine compound, bromine, bromine compound or ammonia.
- (5) Exposure to ozone, radiation, or ultraviolet rays.
- (6) Vibration and shock conditions exceeding specified requirements.

6. Capacitor Disposal

When disposing of capacitors, use one of the following methods.

- (1) Incinerate after crushing the capacitor or puncturing the can wall (to prevent explosion due to internal pressure rise).
- (2) Dispose of as solid waste.

NOTE: Local laws may have specific disposal requirements which must be followed.