



Chipsmall Limited consists of a professional team with an average of over 10 year of expertise in the distribution of electronic components. Based in Hongkong, we have already established firm and mutual-benefit business relationships with customers from,Europe,America and south Asia,supplying obsolete and hard-to-find components to meet their specific needs.

With the principle of “Quality Parts,Customers Priority,Honest Operation,and Considerate Service”,our business mainly focus on the distribution of electronic components. Line cards we deal with include Microchip,ALPS,ROHM,Xilinx,Pulse,ON,Everlight and Freescale. Main products comprise IC,Modules,Potentiometer,IC Socket,Relay,Connector.Our parts cover such applications as commercial,industrial, and automotives areas.

We are looking forward to setting up business relationship with you and hope to provide you with the best service and solution. Let us make a better world for our industry!



Contact us

Tel: +86-755-8981 8866 Fax: +86-755-8427 6832

Email & Skype: info@chipsmall.com Web: www.chipsmall.com

Address: A1208, Overseas Decoration Building, #122 Zhenhua RD., Futian, Shenzhen, China



Materials

Outer shell: C3604 brass, nickel-plating
 Front nut: C3604 brass, nickel-plating
 Insulator: PPS (Polyphenylene sulfide) UL94 V-0, beige
 Pin: C38500 brass, 0.2 µm gold-plated, solder cup style
 Washer p/n 56-00006: cold rolled steel, nickel-plating
 Nut p/n 56-00007: C3604 brass, nickel-plating

Electrical Requirements

Breakdown voltage: 0.85 kV rms (contact to contact), 0.70 kV rms (contact to shell)
 Dielectric strength: 1 min @ 500 Vac
 Insulation resistance: 10000 MΩ @ 500 Vdc
 Contact resistance: 30 mΩ or less, 5000 cycles

Mechanical Requirements

Insertion force: 1.02 kgf average
 Withdrawal force: 0.82 kgf average
 Latch force: 18.4 kgf average
 Life cycle: 5000 minimum mating cycles at 300 cycles per hour
 Shock resistance: 100g, 6 ms
 Resistance to vibration: 10-2000 Hz, 15g

Environmental Requirements

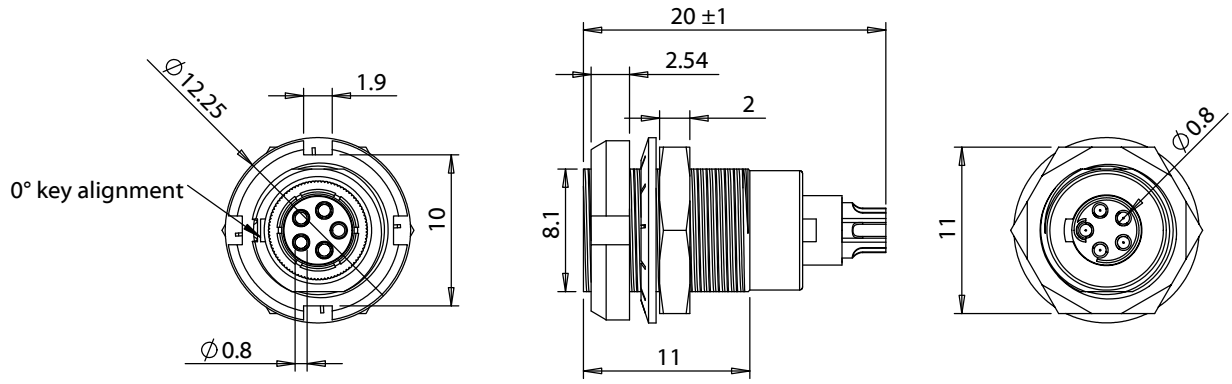
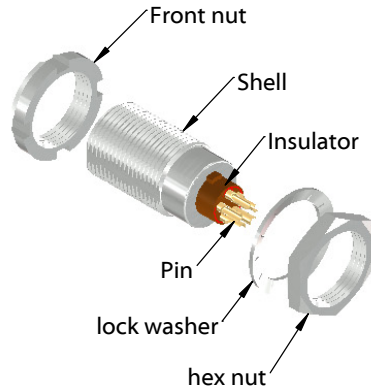
IP50 rating

Assembly info

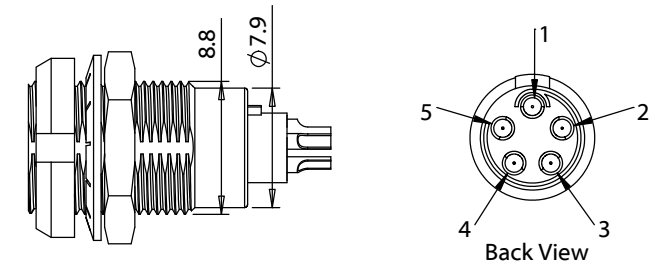
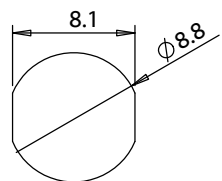
Wire gauge: 24 AWG max (Ø0.60 mm)

Mating info

Mates with PPL7 series plug (5 pin)



Installation Details
 Panel thickness: 5.5 mm max
 Panel cutout Ø: 8.8 - 11.75 mm
 Connector layout:



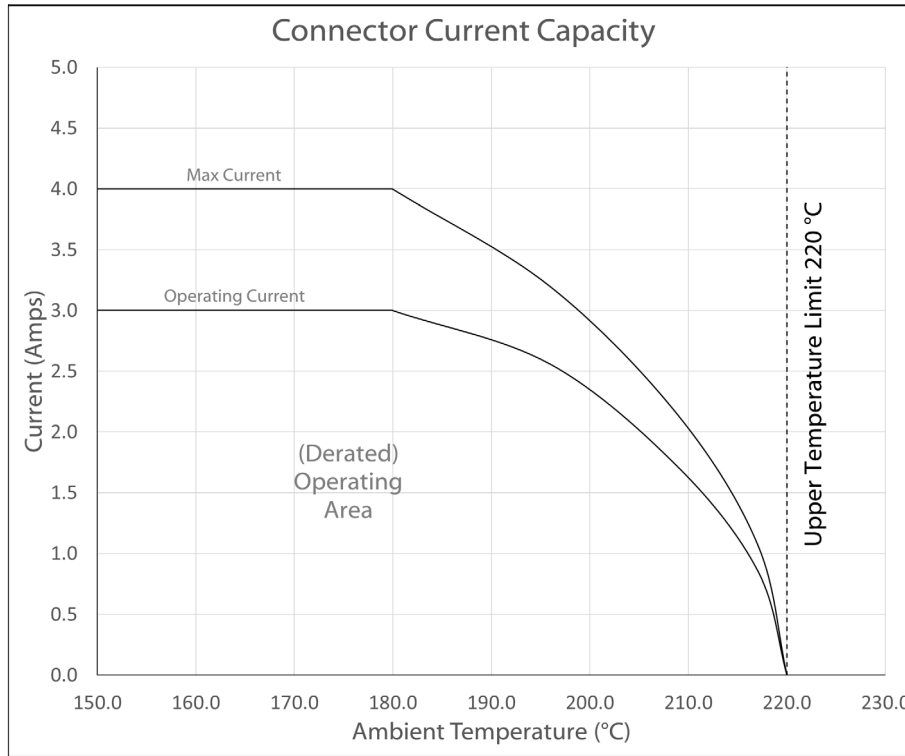
Revision:	Date:	Description:	Prepared:	Notes:	TENSILITY tel 1.541.323.3228 800 877.670.7118 fax 1.541.323.4202 web tensility.com
A	12/13/2017	Initial Release	AG <small>Digitally signed by AG Date: 2017.12.13 16:56:33 -08'00'</small>	RoHS and REACH compliant	
			Verified:	Function test: no open, no short circuit, no intermittent	Size: Part number:
			LA <small>Digitally signed by LA Date: 2017.12.19 10:42:05 -08'00'</small>	Description:	A 51-00021
			Dimensions are in millimeters. Tolerances: X: ± 0.5 mm X.X: ± 0.3 mm X.XX: ± 0.05 mm	Connector, PPL7, 5C, 0° panel socket, front-back mount, 7x20 mm, chrome, solder	Scale: 2:1
					Sheet 1 of 2

Ratings

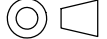
Voltage: 300 V
Current: 3.0 A

Operating Temperature Range

-55 to 220 °C



Testing based on IEC 60512-5-2. Max current curve generated with isolated test article under controlled environmental conditions, and does not take into account external factors such as housings, mating cables, or other circuitry. Operating current curve (derated by 20% of maximum values) accounts for external factors, and manufacturing variation.

Revision:	Date:	Description:	Prepared:	Notes:	<h1>TENSILITY</h1> <p>tel 1.541.323.3228 800 877.670.7118 fax 1.541.323.4202 web tensility.com</p>
A	12/13/2017	Initial Release	AG <small>Digitally signed by AG Date: 2017.12.13 16:56:52 -0800</small>	RoHS and REACH compliant	
			Verified:	Function test: no open, no short circuit, no intermittent	Size: Part number:
			Dimensions are in millimeters. Tolerances: X: ± 0.5 mm X.X: ± 0.3 mm X.XX: ± 0.05 mm	Description: Connector, PPL7, 5C, 0° panel socket, front-back mount, 7x20 mm, chrome, solder	A 51-00021
					Scale: 2:1  Sheet 2 of 2