



Chipsmall Limited consists of a professional team with an average of over 10 year of expertise in the distribution of electronic components. Based in Hongkong, we have already established firm and mutual-benefit business relationships with customers from,Europe,America and south Asia,supplying obsolete and hard-to-find components to meet their specific needs.

With the principle of “Quality Parts,Customers Priority,Honest Operation,and Considerate Service”,our business mainly focus on the distribution of electronic components. Line cards we deal with include Microchip,ALPS,ROHM,Xilinx,Pulse,ON,Everlight and Freescale. Main products comprise IC,Modules,Potentiometer,IC Socket,Relay,Connector.Our parts cover such applications as commercial,industrial, and automotives areas.

We are looking forward to setting up business relationship with you and hope to provide you with the best service and solution. Let us make a better world for our industry!



Contact us

Tel: +86-755-8981 8866 Fax: +86-755-8427 6832

Email & Skype: info@chipsmall.com Web: www.chipsmall.com

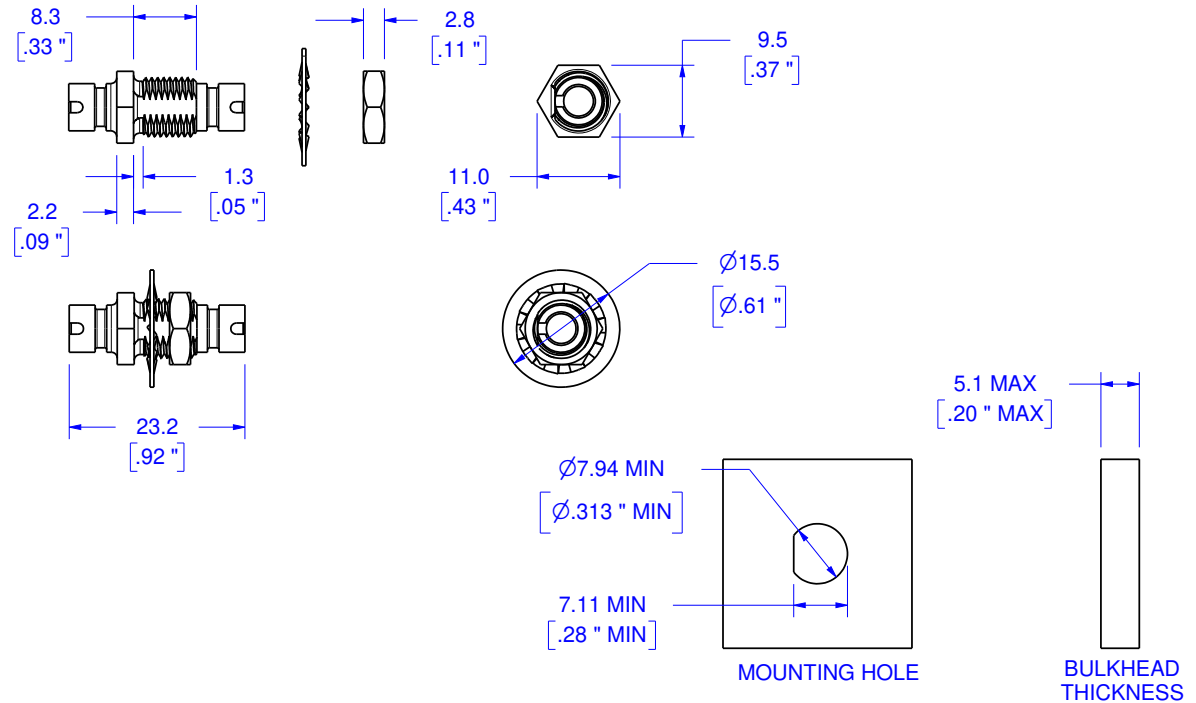
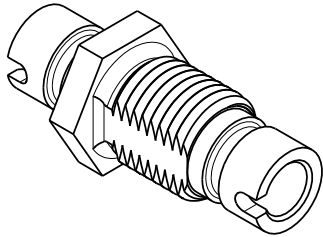
Address: A1208, Overseas Decoration Building, #122 Zhenhua RD., Futian, Shenzhen, China



© COPYRIGHT 2012 BY INDUSTRIAL FIBER OPTICS, INC.
ALL RIGHTS RESERVED.

REVISIONS

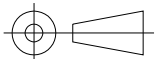
REV	DESCRIPTION	ECO	DATE	DWN	APVD
A	Initial release		10/1/2012	BB	AR



- NOTES:
1. RoHS compliant.
 2. -40° C to 85° C operating temperature.
 3. Electropolished stainless steel body and nut for maximum corrosion resistance.
 4. Suitable for use with simplex latching VersaLink connectors.

INCLUDES 3/8" HEX NUT AND LOCK WASHER

UNLESS OTHERWISE SPECIFIED DIMENSIONS MILLIMETERS [IN.]	PRODUCT	Industrial Fiber Optics TEMPE, AZ 85281			
	MATERIAL				
DIMENSIONS ARE FOR REFERENCE ONLY NO TOLERANCES MAY BE IMPLIED FROM THIS DOCUMENT	FINISH	Electropolished	NAME VersaLink Mating Sleeve		
	DRAWN BY	B. Bidwell	SIZE A	SCALE 1:1	PART NUMBER 51 0137
	DATE	10/1/2012	REV A		
	CHECKED BY	A. Reyes	DO NOT SCALE DRAWING		
	DATE	10/2/2012	Sheet 1 of 1		



METRIC