



Chipsmall Limited consists of a professional team with an average of over 10 year of expertise in the distribution of electronic components. Based in Hongkong, we have already established firm and mutual-benefit business relationships with customers from,Europe,America and south Asia,supplying obsolete and hard-to-find components to meet their specific needs.

With the principle of “Quality Parts,Customers Priority,Honest Operation,and Considerate Service”,our business mainly focus on the distribution of electronic components. Line cards we deal with include Microchip,ALPS,ROHM,Xilinx,Pulse,ON,Everlight and Freescale. Main products comprise IC,Modules,Potentiometer,IC Socket,Relay,Connector.Our parts cover such applications as commercial,industrial, and automotives areas.

We are looking forward to setting up business relationship with you and hope to provide you with the best service and solution. Let us make a better world for our industry!



Contact us

Tel: +86-755-8981 8866 Fax: +86-755-8427 6832

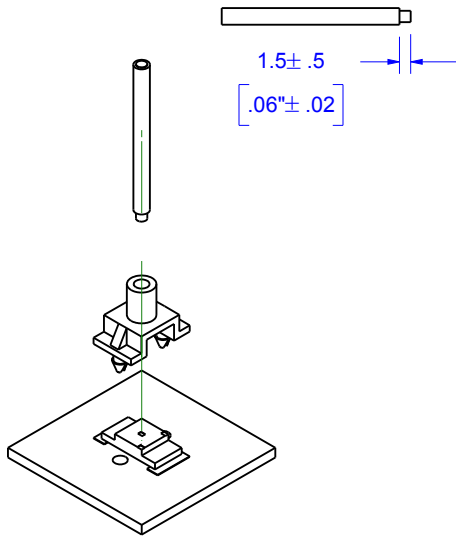
Email & Skype: info@chipsmall.com Web: www.chipsmall.com

Address: A1208, Overseas Decoration Building, #122 Zhenhua RD., Futian, Shenzhen, China



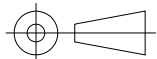
© COPYRIGHT 2014 BY INDUSTRIAL FIBER OPTICS, INC.
ALL RIGHTS RESERVED.

LIGHT PIPE PREPARATION / INSTALLATION:



NOTES:

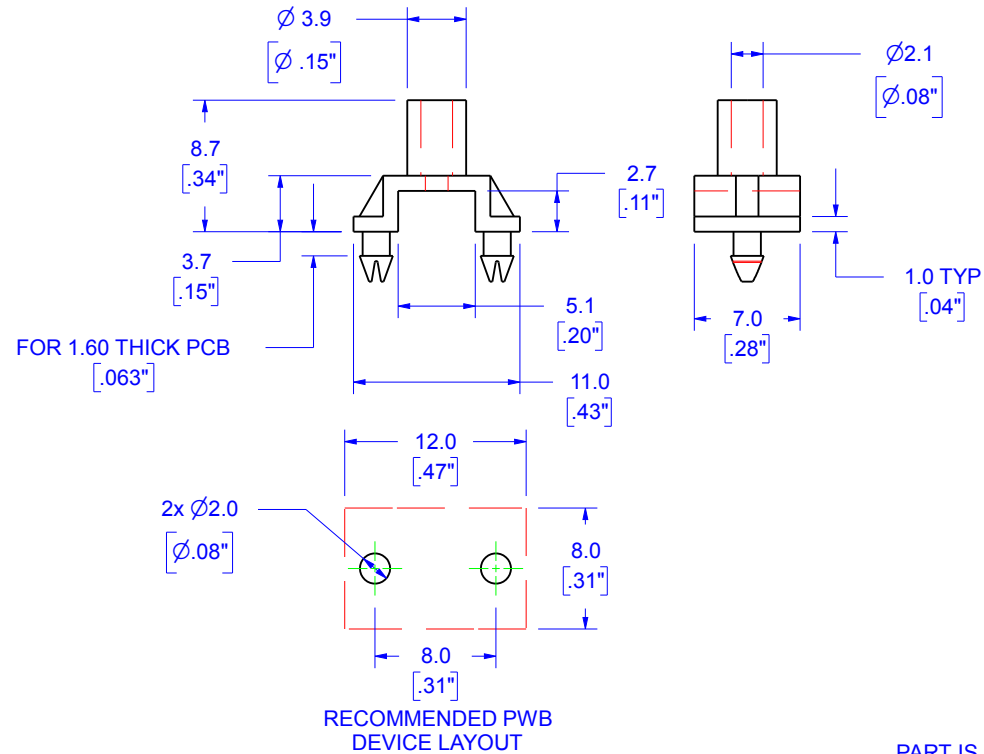
1. ROHS COMPLIANT
2. UL 94V-2 FLAMMABILITY RATING
3. -40°C TO 85°C OPERATING TEMPERATURE
4. SUITABLE FOR LIGHT PIPE WITH $\varnothing 2.2\text{mm}$ JACKET AND OPTICAL CORE NO GREATER THAN $\varnothing 1.5\text{mm}$
5. DO NOT INSTALL PRIOR TO SOLDERING
6. FOR BEST RESULTS USE ONLY NARROW VIEWING ANGLE NON-DIFFUSED LEDS WITH OUTPUT POWER GREATER THAN 100mcd
7. NOT RECOMMENDED FOR DATA COMMUNICATIONS



METRIC

REVISIONS

REV	DESCRIPTION	ECO	DATE	DWN	APVD
A	Initial release		11/12/2008	BB	RD
B	Revised strip length from 1.0 ± .25	0034	9/17/2009	BB	KS
B1	Redrew, added overall dimensions		7/21/2014	BB	WR



UNLESS OTHERWISE SPECIFIED
DIMENSIONS MILLIMETERS [IN.]

DIMENSIONS ARE FOR
REFERENCE ONLY
NO TOLERANCES MAY BE
IMPLIED FROM THIS DOCUMENT

PRODUCT	51 0410
MATERIAL	Nylon 66
FINISH	None
DRAWN BY	B. Bidwell
DATE	7/22/2014
CHECKED BY	W. Rowe
DATE	7/22/2014

Industrial Fiber Optics TEMPE, AZ 85281			
NAME SMT LED to Light Pipe			
SIZE A	SCALE 2:1	PART NUMBER 51 0310	REV B1
DO NOT SCALE DRAWING		Sheet 1 of 1	