



Chipsmall Limited consists of a professional team with an average of over 10 year of expertise in the distribution of electronic components. Based in Hongkong, we have already established firm and mutual-benefit business relationships with customers from,Europe,America and south Asia,supplying obsolete and hard-to-find components to meet their specific needs.

With the principle of "Quality Parts,Customers Priority,Honest Operation,and Considerate Service",our business mainly focus on the distribution of electronic components. Line cards we deal with include Microchip,ALPS,ROHM,Xilinx,Pulse,ON,Everlight and Freescale. Main products comprise IC,Modules,Potentiometer,IC Socket,Relay,Connector.Our parts cover such applications as commercial,industrial, and automotives areas.

We are looking forward to setting up business relationship with you and hope to provide you with the best service and solution. Let us make a better world for our industry!



## Contact us

Tel: +86-755-8981 8866 Fax: +86-755-8427 6832

Email & Skype: info@chipsmall.com Web: www.chipsmall.com

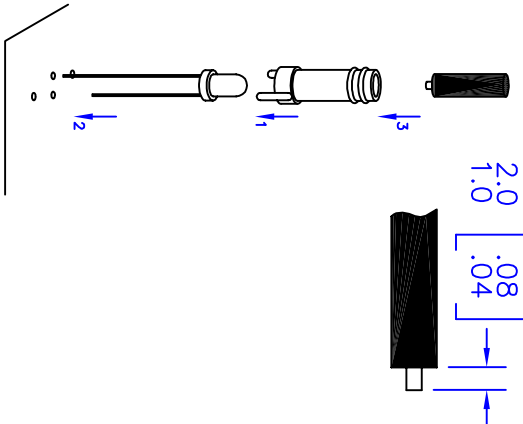
Address: A1208, Overseas Decoration Building, #122 Zhenhua RD., Futian, Shenzhen, China



REVISIONS

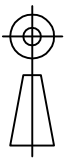
REV	DESCRIPTION	ECO	DATE	DWN	APVD
C	REVISED STRIP LENGTH FROM 1.0±.05	0034	09/17/09	BB	KS

**LIGHT PIPE**  
**PREPARATION/INSTALLATION:**

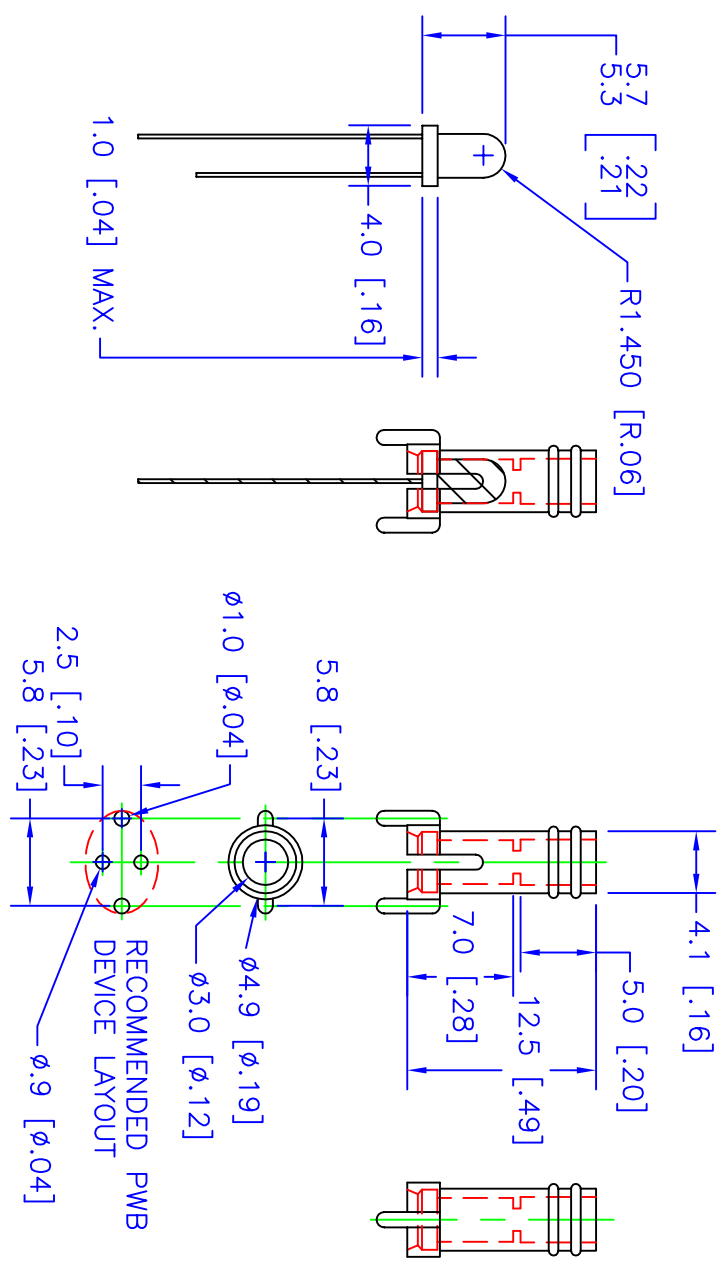


**NOTES:**

1. ROHS COMPLIANT
2. UL 94V-2 FLAMMABILITY RATING
3. -40°C TO 85°C OPERATING TEMPERATURE
4. SUITABLE FOR LIGHT PIPE WITH  $\phi 3.0$ mm JACKET AND OPTICAL CORE NO GREATER THAN  $\phi 1.5$ mm
5. DO NOT WAVE SOLDER WITH THIS DEVICE
6. FOR BEST RESULTS USE ONLY NARROW VIEWING ANGLE NON-DIFFUSED LEDS WITH OUTPUT POWER GREATER THAN 100mcd
7. NOT RECOMMENDED FOR DATA COMMUNICATIONS



**METRIC**



PART IS MADE OF BLACK NYLON.

UNLESS OTHERWISE SPECIFIED  
DIMENSIONS MILLIMETERS [IN.]

PRODUCT LIGHT PIPE  
MATERIAL NYLON 66

**INDUSTRIAL FIBER OPTICS**  
TEMPE, AZ 85281

TOLERANCES  
0 PLC:  $\pm 1$  SURFACE 3/2  
1 PLC:  $\pm .25$  TEXTURE:  $\checkmark$   
2 PLC:  $\pm .127$   
3 PLC:  $\pm .025$   
4 PLC:  $\pm .013$   
ANGLE:  $\pm 1/2^\circ$

FINISH NONE  
DRAWN BY B. BIDWELL  
DATE 11/12/08  
CHECKED BY K. STOTZ

NAME MOUNT, VERTICAL LED TO LIGHT PIPE  
SIZE SCALE 2:1  
PART NUMBER 51 0321  
REV C

REMOVE BURRS AND SHARP EDGES  
FLATNESS .005 MM PER MM  
ALL DIMENSIONS AFTER FINISH

DATE 09/17/09

DO NOT SCALE DRAWING  
SHEET 1 OF 1