



Chipsmall Limited consists of a professional team with an average of over 10 year of expertise in the distribution of electronic components. Based in Hongkong, we have already established firm and mutual-benefit business relationships with customers from,Europe,America and south Asia,supplying obsolete and hard-to-find components to meet their specific needs.

With the principle of “Quality Parts,Customers Priority,Honest Operation,and Considerate Service”,our business mainly focus on the distribution of electronic components. Line cards we deal with include Microchip,ALPS,ROHM,Xilinx,Pulse,ON,Everlight and Freescale. Main products comprise IC,Modules,Potentiometer,IC Socket,Relay,Connector.Our parts cover such applications as commercial,industrial, and automotives areas.

We are looking forward to setting up business relationship with you and hope to provide you with the best service and solution. Let us make a better world for our industry!



Contact us

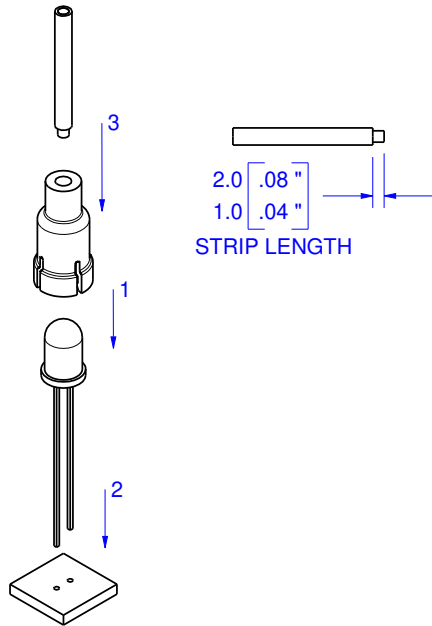
Tel: +86-755-8981 8866 Fax: +86-755-8427 6832

Email & Skype: info@chipsmall.com Web: www.chipsmall.com

Address: A1208, Overseas Decoration Building, #122 Zhenhua RD., Futian, Shenzhen, China

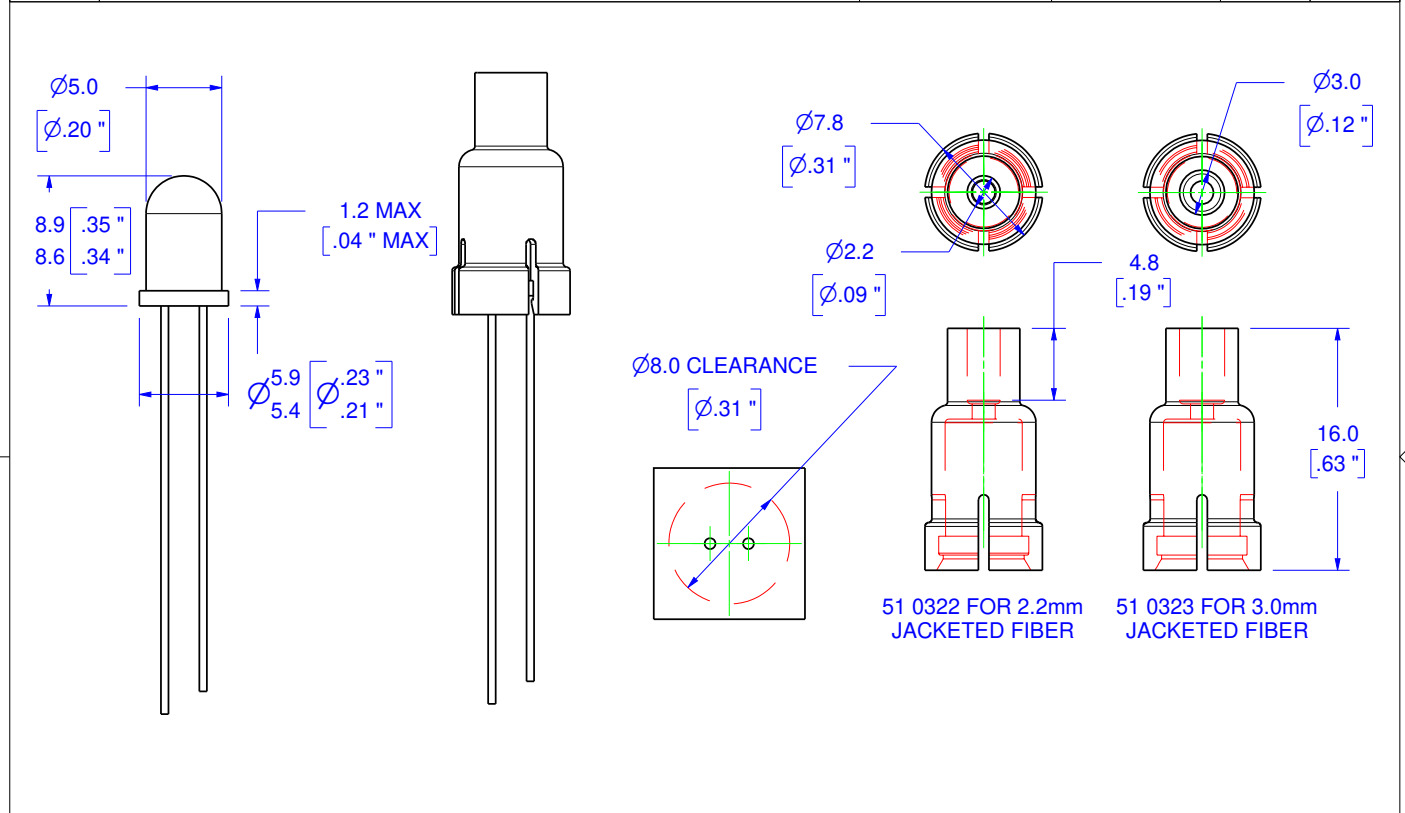


© COPYRIGHT 2012 BY INDUSTRIAL FIBER OPTICS, INC.
ALL RIGHTS RESERVED.

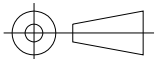


- NOTES:**
1. RoHS COMPLIANT
 2. UL94 HB FLAMMABILITY RATING
 3. -40° C TO 85° C OPERATING TEMPERATURE
 4. SUITABLE FOR 2.2mm OR 3mm JACKETED LIGHT PIPE WITH A FIBER DIAMETER UP TO 1.5mm
 5. DO NOT WAVE SOLDER WITH THIS DEVICE
 6. FOR BEST RESULTS USE ONLY NARROW VIEWING ANGLE NON-DIFFUSED LEDs WITH OUTPUT POWER GREATER THAN 100mcd
 7. NOT RECOMMENDED FOR DATA COMMUNICATIONS

REVISIONS					
REV	DESCRIPTION	ECO	DATE	DWN	APVD
A	Initial release		1/3/2012	BB	AR



UNLESS OTHERWISE SPECIFIED		PRODUCT		Industrial Fiber Optics TEMPE, AZ 85281			
DIMENSIONS MILLIMETERS [IN.]		MATERIAL					
TOLERANCES		FINISH		SIZE	SCALE	PART NUMBER	REV
0 PLC: ± 1		Black Nylon 6/6		A	2:1	51 0322	A
1 PLC: ± .25		DRAWN BY		DO NOT SCALE DRAWING			
2 PLC: ± .127		B. Bidwell					
3 PLC: ± .025		DATE		Sheet 1 of 1			
4 PLC: ± .013		1/3/2012					
ANGLE: ± 1/2°		CHECKED BY					
SURFACE TEXTURE: 3.2 ✓		A. Reyes					
REMOVE BURRS AND SHARP EDGES		DATE					
FLATNESS .005mm PER mm		1/3/2012					
ALL DIMENSIONS AFTER FINISH							



METRIC