



Chipsmall Limited consists of a professional team with an average of over 10 year of expertise in the distribution of electronic components. Based in Hongkong, we have already established firm and mutual-benefit business relationships with customers from,Europe,America and south Asia,supplying obsolete and hard-to-find components to meet their specific needs.

With the principle of “Quality Parts,Customers Priority,Honest Operation,and Considerate Service”,our business mainly focus on the distribution of electronic components. Line cards we deal with include Microchip,ALPS,ROHM,Xilinx,Pulse,ON,Everlight and Freescale. Main products comprise IC,Modules,Potentiometer,IC Socket,Relay,Connector.Our parts cover such applications as commercial,industrial, and automotives areas.

We are looking forward to setting up business relationship with you and hope to provide you with the best service and solution. Let us make a better world for our industry!



## Contact us

Tel: +86-755-8981 8866 Fax: +86-755-8427 6832

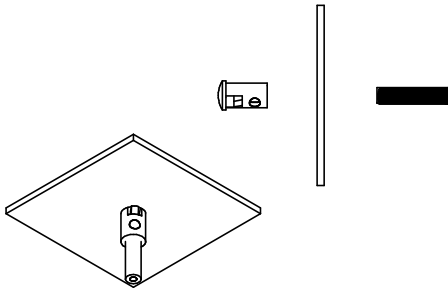
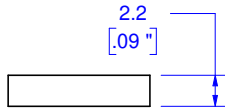
Email & Skype: info@chipsmall.com Web: www.chipsmall.com

Address: A1208, Overseas Decoration Building, #122 Zhenhua RD., Futian, Shenzhen, China



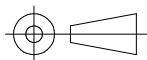
© COPYRIGHT 2010 BY INDUSTRIAL FIBER OPTICS, INC.  
ALL RIGHTS RESERVED.

**LIGHT PIPE PREPARATION/INSTALLATION:**



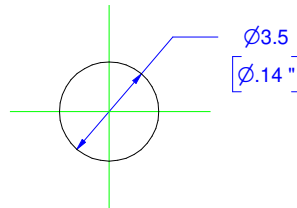
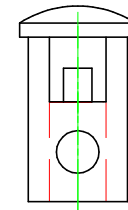
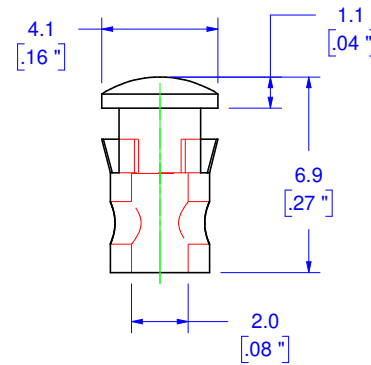
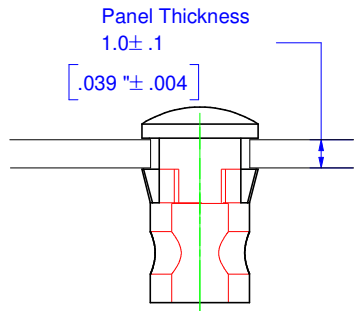
**NOTES:**

1. ROHS COMPLIANT
2. UL 94V-2 FLAMMABILITY RATING
3. -40°C TO 85°C OPERATING TEMPERATURE
4. SUITABLE FOR LIGHT PIPE WITH Ø2.2mm JACKET AND OPTICAL CORE NO GREATER THAN Ø1.5mm



**METRIC**

REVISIONS					
REV	DESCRIPTION	ECO	DATE	DWN	APVD
A	Initial release		11/12/2008	BB	RD
B	Redrew, fixed diameter of mounting hole	0065	2/9/2010	BB	AR



MOUNTING HOLE

PART IS MADE OF TRANSPARENT POLYCARBONATE.

UNLESS OTHERWISE SPECIFIED DIMENSIONS MILLIMETERS [IN.]	PRODUCT	Light Pipe			
	MATERIAL	Polycarbonate			
TOLERANCES 0 PLC: ± 1 1 PLC: ± .25 2 PLC: ± .127 3 PLC: ± .025 4 PLC: ± .013 ANGLE: ± 1/2°  SURFACE TEXTURE: 3.2 ✓	FINISH	NAME			
	DRAWN BY	B. Bidwell			
	DATE	2/9/2010			
	CHECKED BY	A. Reyes			
REMOVE BURRS AND SHARP EDGES FLATNESS .005mm PER mm ALL DIMENSIONS AFTER FINISH	DATE	2/11/2010		INDUSTRIAL FIBER OPTICS TEMPE, AZ 85281	REV B
	SIZE	SCALE	PART NUMBER	NAME	
	A	4:1	51 0350	Lens, Light Pipe to Panel	
	DO NOT SCALE DRAWING			Sheet 1 of 1	