



Chipsmall Limited consists of a professional team with an average of over 10 year of expertise in the distribution of electronic components. Based in Hongkong, we have already established firm and mutual-benefit business relationships with customers from,Europe,America and south Asia,supplying obsolete and hard-to-find components to meet their specific needs.

With the principle of “Quality Parts,Customers Priority,Honest Operation,and Considerate Service”,our business mainly focus on the distribution of electronic components. Line cards we deal with include Microchip,ALPS,ROHM,Xilinx,Pulse,ON,Everlight and Freescale. Main products comprise IC,Modules,Potentiometer,IC Socket,Relay,Connector.Our parts cover such applications as commercial,industrial, and automotives areas.

We are looking forward to setting up business relationship with you and hope to provide you with the best service and solution. Let us make a better world for our industry!



## Contact us

Tel: +86-755-8981 8866 Fax: +86-755-8427 6832

Email & Skype: info@chipsmall.com Web: www.chipsmall.com

Address: A1208, Overseas Decoration Building, #122 Zhenhua RD., Futian, Shenzhen, China



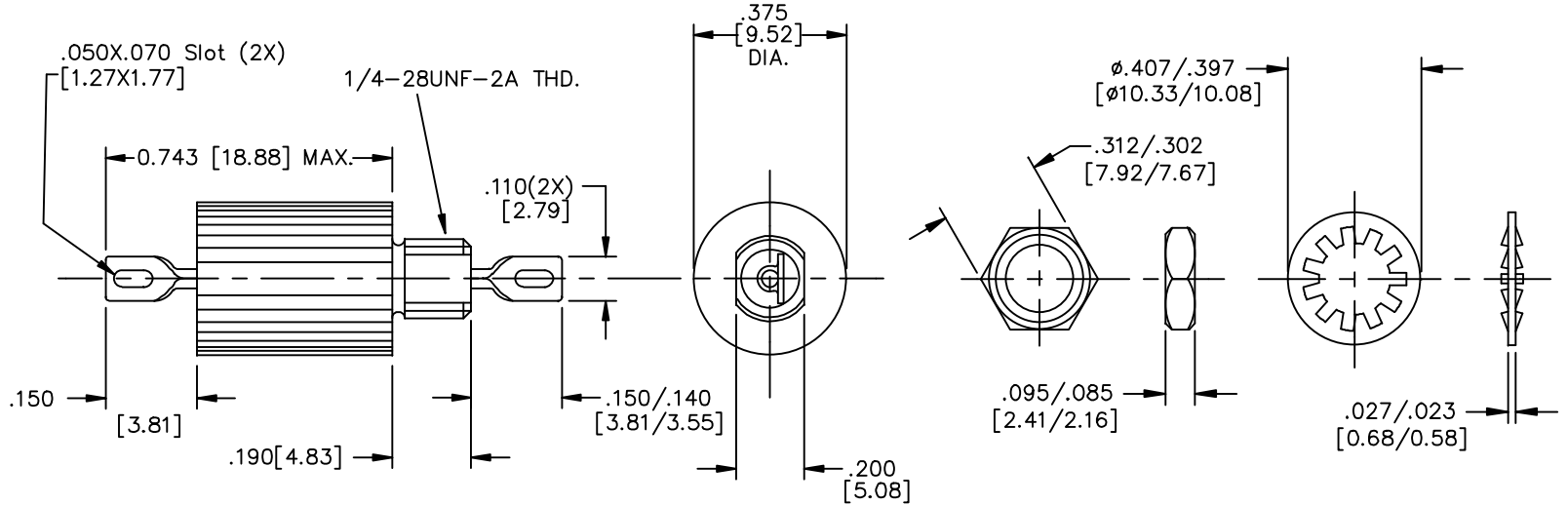
CASE FINISH	CURRENT (AMPS)	WORKING VOLTAGE				MAXIMUM DC RESISTANCE (OHMS)	MAXIMUM VOLTAGE DROP		MINIMUM CAPACITANCE (uF)	MIN. INSERTION LOSS PER MIL-STD-220, FULL LOAD, +25°C												
		-55°C TO +85°C		-55°C TO +125°C			DC	AC		14 KHz	30 KHz	50 KHz	75 KHz	100 KHz	150 KHz	300 KHz	500 KHz	1 MHz	10 MHz	100 MHz	1 GHz	2 GHz
		AC	DC	AC	DC																	
SOLDER	5.0	125	150	125	150	.015	.075	.075	0.25	--	--	--	--	--	8	14	--	25	58	--	70	70

**PART MARKING:**

M15733/26-0007  
 C OLSP2 DATE CODE  
 125VAC 400Hz  
 150VDC 5A 125°C  
 51-353-080

**PACKAGE MARKING:**

STANDARD



**MARKING NOTES:**

N/A

**SCHMATIC**



**MTG. HARDWARE**

**NOTES:**

1) MOUNTING TORQUE NOT TO EXCEED 7in-lbs.

REV. NO.	CHANGE NOTICE	UNLESS OTHERWISE SPECIFIED DIMENSIONS ARE IN INCHES. [MILLIMETERS] DO NOT SCALE.	TOLERANCES UNLESS OTHERWISE SPECIFIED	FAIRVIEW PENNSYLVANIA
28	CN 38679-ENG		Fractions ±	SPECTRUM CONTROL INC. Dwn. SLAGLE Date 12-11-07 Engr. J.Kraus Sheet 1 of 1
27	CN 186913		Dec. .xx±	
26	CN 182331		Dec. .xxx± .010	
			Angles ±0° 30'	Description Low Pass EMI Filter
			CODE IDENT. NO. OLSP2	51-353-080

Quality Products From The Specialists In Electro-Magnetic Compatibility

