



Chipsmall Limited consists of a professional team with an average of over 10 year of expertise in the distribution of electronic components. Based in Hongkong, we have already established firm and mutual-benefit business relationships with customers from,Europe,America and south Asia,supplying obsolete and hard-to-find components to meet their specific needs.

With the principle of “Quality Parts,Customers Priority,Honest Operation,and Considerate Service”,our business mainly focus on the distribution of electronic components. Line cards we deal with include Microchip,ALPS,ROHM,Xilinx,Pulse,ON,Everlight and Freescale. Main products comprise IC,Modules,Potentiometer,IC Socket,Relay,Connector.Our parts cover such applications as commercial,industrial, and automotives areas.

We are looking forward to setting up business relationship with you and hope to provide you with the best service and solution. Let us make a better world for our industry!



## Contact us

Tel: +86-755-8981 8866 Fax: +86-755-8427 6832

Email & Skype: info@chipsmall.com Web: www.chipsmall.com

Address: A1208, Overseas Decoration Building, #122 Zhenhua RD., Futian, Shenzhen, China



CASE FINISH	CURRENT (AMPS)	WORKING VOLTAGE				MAXIMUM DC RESISTANCE (OHMS)	MAXIMUM VOLTAGE DROP		MINIMUM CAPACITANCE (uF)	MIN. INSERTION LOSS PER MIL-STD-220, FULL LOAD, +25°C												
		-55°C TO +85°C		-55°C TO +125°C			DC	AC		14 KHz	30 KHz	50 KHz	75 KHz	100 KHz	150 KHz	300 KHz	500 KHz	1 MHz	10 MHz	100 MHz	1 GHz	10 GHz
		AC	DC	AC	DC					---	8	---	---	---	20	28	---	38	55	70	70	70
SILVER	15	---	100	---	50	0.005	0.075	---	0.68/1.36	---	8	---	---	---	20	28	---	38	55	70	70	70

**PART MARKING:**

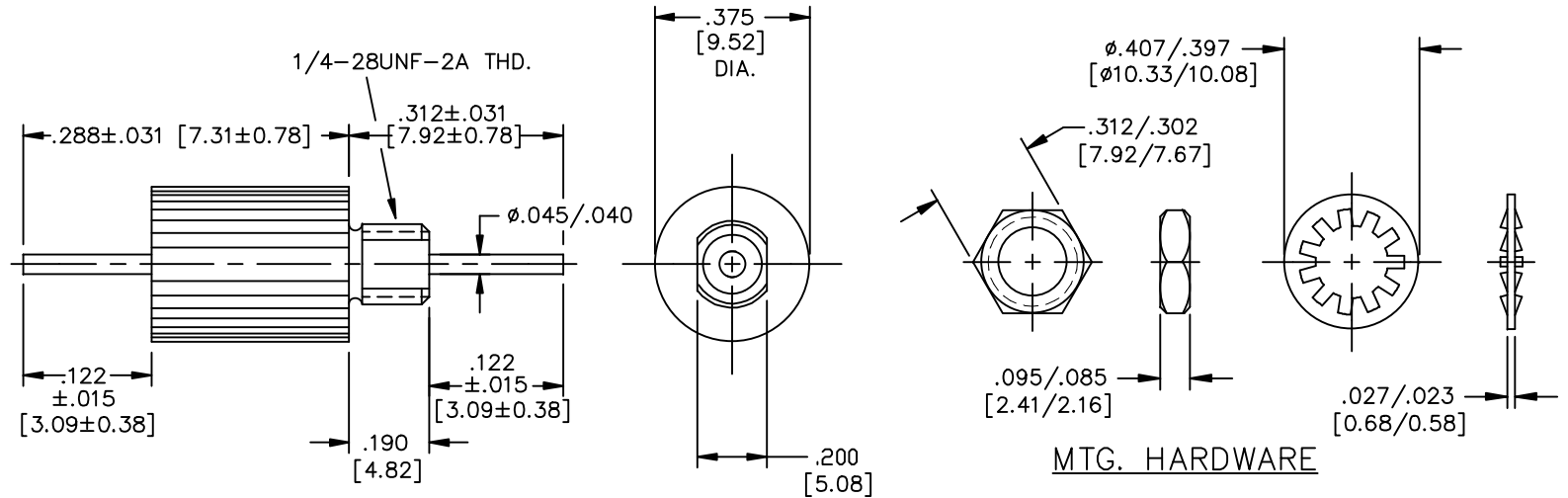
M15733/49-0001  
L OLSP2 DATE CODE

**PACKAGE MARKING:**

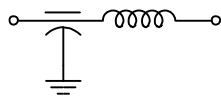
M15733/49-0001  
L2 OLSP2 DATE CODE  
50VDC 15A 125°C  
51-359-053

**MARKING NOTES:**

N/A



**SCHMATIC**



**NOTES:**

- 1) MOUNTING TORQUE NOT TO EXCEED 7in-lbs.
  - 2) THIS PART CODED "NCA". API TECHNOLOGIES CORP. DOES NOT HAVE CHANGE AUTHORITY.
- 43 CUSTOMER APPROVAL REQUIRED BEFORE PRODUCT/PROCESS CHANGES CAN BE MADE.

										43	42	41	REV. NO.	UNLESS OTHERWISE SPECIFIED DIMENSIONS ARE IN INCHES. [MILLIMETERS]	TOLERANCES UNLESS OTHERWISE SPECIFIED Fractions ± Dec. .xx± Dec. .xxx±.010 Angles ±0° 30'	api technologies corp. FAIRVIEW PENNSYLVANIA	Description Low Pass EMI Filter					
										CN. 66644-ENG	CN. 178557	CN. 176908	CHANGE NOTICE									
																		DO NOT SCALE.	CODE IDENT. NO. OLSP2	DATE 12-31-12	ENGR. STADLER	51-359-053
																		THIRD ANGLE PROJECTION	DLSP2	Sheet 1 of 1		

Quality Products From The Specialists In Electro-Magnetic Compatibility