



Chipsmall Limited consists of a professional team with an average of over 10 year of expertise in the distribution of electronic components. Based in Hongkong, we have already established firm and mutual-benefit business relationships with customers from,Europe,America and south Asia,supplying obsolete and hard-to-find components to meet their specific needs.

With the principle of “Quality Parts,Customers Priority,Honest Operation,and Considerate Service”,our business mainly focus on the distribution of electronic components. Line cards we deal with include Microchip,ALPS,ROHM,Xilinx,Pulse,ON,Everlight and Freescale. Main products comprise IC,Modules,Potentiometer,IC Socket,Relay,Connector.Our parts cover such applications as commercial,industrial, and automotives areas.

We are looking forward to setting up business relationship with you and hope to provide you with the best service and solution. Let us make a better world for our industry!



Contact us

Tel: +86-755-8981 8866 Fax: +86-755-8427 6832

Email & Skype: info@chipsmall.com Web: www.chipsmall.com

Address: A1208, Overseas Decoration Building, #122 Zhenhua RD., Futian, Shenzhen, China



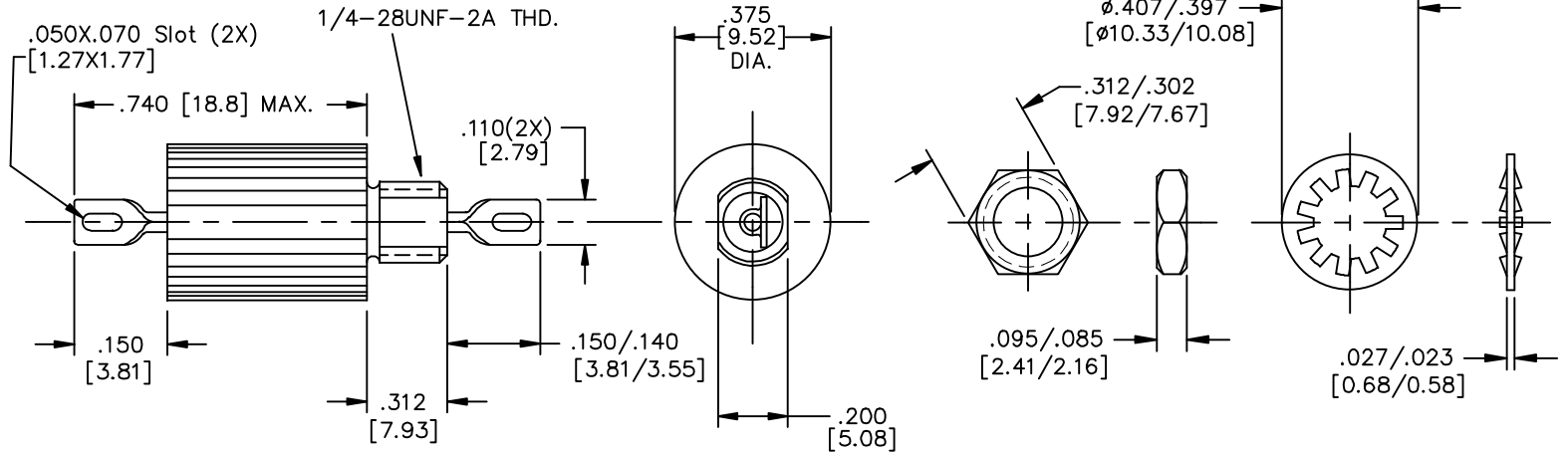
CASE FINISH	CURRENT (AMPS)	WORKING VOLTAGE				MAXIMUM DC RESISTANCE (OHMS)	MAXIMUM VOLTAGE DROP		MINIMUM CAPACITANCE (uF)	MIN. INSERTION LOSS PER MIL-STD-220, FULL LOAD, +25°C												
		-55°C TO +85°C		-55°C TO +125°C			DC	AC		30 KHz	100 KHz	150 KHz	200 KHz	300 KHz	500 KHz	1 MHz	2 MHz	5 MHz	10 MHz	100 MHz	1 GHz	10 GHz
		AC	DC	AC	DC					---	---	28	---	31	---	42	---	---	56	---	70	---
SOLDER	10	-	80	-	28	0.005	0.050	-	1.4	15	---	28	---	31	---	42	---	---	56	---	70	---

PART MARKING:

M15733/24-0008
 OLSP2 DATE CODE
 C 28VDC 10A 125°C
 51-444-060

PACKAGE MARKING:

STANDARD

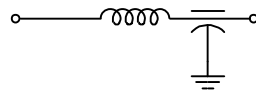


MTG. HARDWARE

MARKING NOTES:

N/A

SCHEMATIC



NOTES:

1. MOUNTING TORQUE NOT TO EXCEED 7in-lbs.
2. THIS PART CODED "NCA". API TECHNOLOGIES DOES NOT HAVE CHANGE AUTHORITY. CUSTOMER APPROVAL REQUIRED BEFORE PRODUCT/PROCESS CHANGES CAN BE MADE.

REV. NO.	CHANGE NOTICE	UNLESS OTHERWISE SPECIFIED DIMENSIONS ARE IN INCHES. [MILLIMETERS] DO NOT SCALE.	TOLERANCES UNLESS OTHERWISE SPECIFIED	api technologies corp.	FAIRVIEW PENNSYLVANIA
34	CN 64792-ENG		Fractions ±	Dwn. KAUFFMAN	Description Low Pass EMI Filter
33	CN 184310		Dec. .xx±		
32	CN 180376		Dec. .xxx± .010	Ckd. 7-25-12	
31	CN. 179178		Angles ±0° 30'	Apvd.	
			CODE IDENT. NO. OLSP2	Sheet 1 of 1	51-444-060

Quality Products From The Specialists In Electro-Magnetic Compatibility