



Chipsmall Limited consists of a professional team with an average of over 10 year of expertise in the distribution of electronic components. Based in Hongkong, we have already established firm and mutual-benefit business relationships with customers from,Europe,America and south Asia,supplying obsolete and hard-to-find components to meet their specific needs.

With the principle of “Quality Parts,Customers Priority,Honest Operation,and Considerate Service”,our business mainly focus on the distribution of electronic components. Line cards we deal with include Microchip,ALPS,ROHM,Xilinx,Pulse,ON,Everlight and Freescale. Main products comprise IC,Modules,Potentiometer,IC Socket,Relay,Connector.Our parts cover such applications as commercial,industrial, and automotives areas.

We are looking forward to setting up business relationship with you and hope to provide you with the best service and solution. Let us make a better world for our industry!



## Contact us

Tel: +86-755-8981 8866 Fax: +86-755-8427 6832

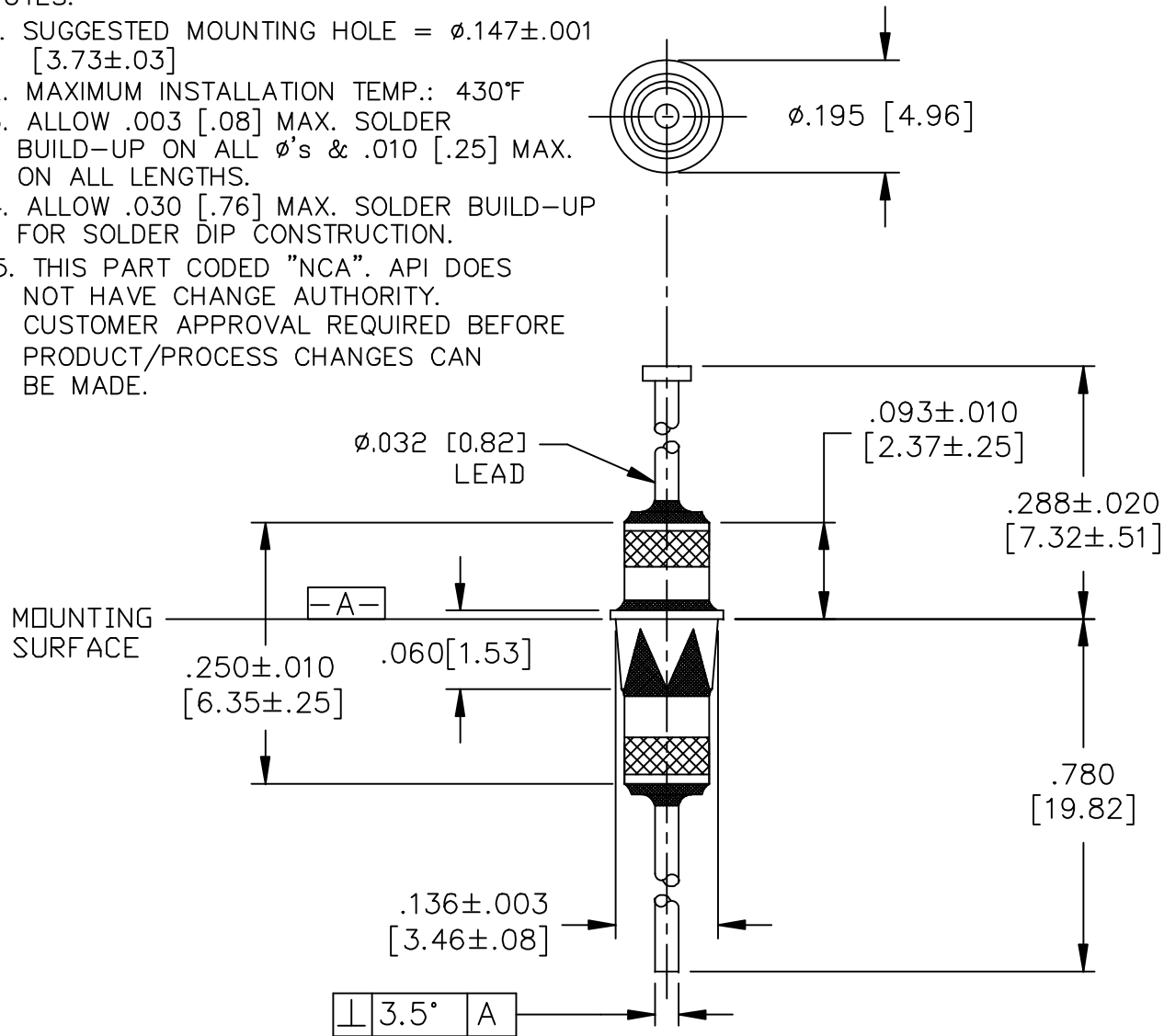
Email & Skype: info@chipsmall.com Web: www.chipsmall.com

Address: A1208, Overseas Decoration Building, #122 Zhenhua RD., Futian, Shenzhen, China



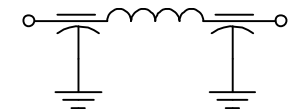
NOTES:

1. SUGGESTED MOUNTING HOLE =  $\phi.147 \pm .001$  [3.73 ± .03]
2. MAXIMUM INSTALLATION TEMP.: 430°F
3. ALLOW .003 [.08] MAX. SOLDER BUILD-UP ON ALL  $\phi$ 's & .010 [.25] MAX. ON ALL LENGTHS.
4. ALLOW .030 [.76] MAX. SOLDER BUILD-UP FOR SOLDER DIP CONSTRUCTION.
5. THIS PART CODED "NCA". API DOES NOT HAVE CHANGE AUTHORITY. CUSTOMER APPROVAL REQUIRED BEFORE PRODUCT/PROCESS CHANGES CAN BE MADE.



LEAD FINISH: SOLDER	
EYELET FINISH: SOLDER	
CAPACITANCE	1750pF MIN.
TEMP. RANGE	-55°C TO 125°C
CURRENT	10 AMP MAX.
WORKING VOLTAGE	85°C -- VDC MAX. 125°C 125 VDC MAX.
D.C. RESISTANCE	.01ohms MAX.
MIN. I.L. PER MIL-STD-220 AT 25°C NO LOAD	
FREQ. MHz	I.L. (db)
20	10
50	35
100	50
200	50
500	60
1-10 GHz	60

SCHEMATIC



MARKING: PART: NONE  
 BUBBLE: WHITE FOAM  
 MIL 15733/33-0001  
 OLSP2  
 DATE CODE  
 125VDC  
 125°C MAX. OPER. TEMP.  
 10 AMPS  
 QTY.  
 P.O. NO.

	50	49	48	REV. NO.	TOLERANCES UNLESS OTHERWISE SPECIFIED
	ECN 22863	CN 60005-ENG	CN 184980 REDRAWN	CHANGE NOTICE	Fractions ± 1/64
					Dec. .xx±
					Dec. .xxx±.005[.127]
					Angles ±0° 30'
					CODE IDENT. NO. OLSP2

**api** technologies corp.

FAIRVIEW PENNSYLVANIA

Dwn. KAUFFMAN

Description

Date 8-5-11

Pi SOLDER-IN FILTER

Apvd. McALEVY

51-707-006

Scale NONE