



Chipsmall Limited consists of a professional team with an average of over 10 year of expertise in the distribution of electronic components. Based in Hongkong, we have already established firm and mutual-benefit business relationships with customers from,Europe,America and south Asia,supplying obsolete and hard-to-find components to meet their specific needs.

With the principle of "Quality Parts,Customers Priority,Honest Operation,and Considerate Service",our business mainly focus on the distribution of electronic components. Line cards we deal with include Microchip,ALPS,ROHM,Xilinx,Pulse,ON,Everlight and Freescale. Main products comprise IC,Modules,Potentiometer,IC Socket,Relay,Connector.Our parts cover such applications as commercial,industrial, and automotives areas.

We are looking forward to setting up business relationship with you and hope to provide you with the best service and solution. Let us make a better world for our industry!



Contact us

Tel: +86-755-8981 8866 Fax: +86-755-8427 6832

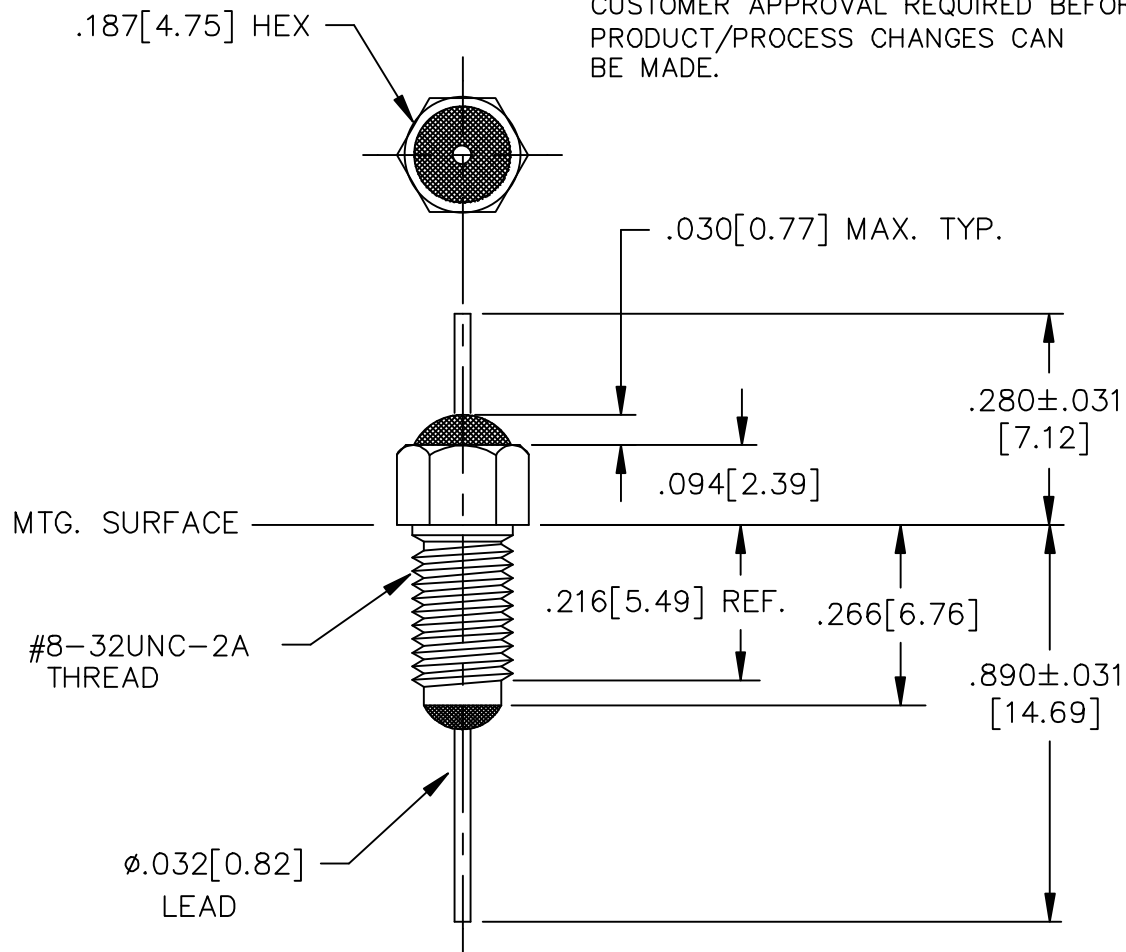
Email & Skype: info@chipsmall.com Web: www.chipsmall.com

Address: A1208, Overseas Decoration Building, #122 Zhenhua RD., Futian, Shenzhen, China

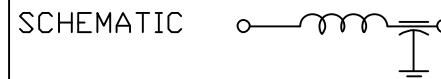


NOTES:

- 43 1. MAXIMUM MOUNTING TORQUE = 4lb-in.
 2. THIS PART CODED "NCA". SCI DOES NOT HAVE CHANGE AUTHORITY. CUSTOMER APPROVAL REQUIRED BEFORE PRODUCT/PROCESS CHANGES CAN BE MADE.



LEAD FINISH:	SOLDER
BUSHING FINISH:	SILVER
CAPACITANCE	22nF
TEMP. RANGE	-55°C TO 125°C
CURRENT	10 AMP MAX.
WORKING VOLTAGE	85°C --- VDC MAX. 125°C 100 VDC MAX.
D.C. RESISTANCE	.01ohms MAX.
MIN. I.L. PER MIL-STD-220 AT 25°C NO LOAD	
FREQ. MHz	I.L. (db)
1	10
10	30
100	42
1 GHz	60
10 GHz	60



MARKING:

PART: M15733/61-0013
 BAG: MIL 15733/61-0013
 OLSP2
 DATE CODE
 100VDC
 125°C
 10 AMPS
 XXX QTY/BAG (100 MAX.)
 P.O. XXX
 PACKAGE: TO BE MARKED
 SAME AS THE BAG.

	43	42	REV. NO.	TOLERANCES UNLESS OTHERWISE SPECIFIED
	CN 57806-ENG	CN. 184970	CHANGE NOTICE	Fractions ± 1/64
				Dec. .xx±
				Dec. .xxx±.010
				Angles ±0° 30'
				CODE IDENT. NO. OLSP2

 SPECTRUM CONTROL INC.		FAIRVIEW PENNSYLVANIA
Dwn. KAUFFMAN Date 2-23-11 Apvd. Scale NONE	Description FEED THRU RESIN SEAL FILTER 51-712-067	