



Chipsmall Limited consists of a professional team with an average of over 10 year of expertise in the distribution of electronic components. Based in Hongkong, we have already established firm and mutual-benefit business relationships with customers from,Europe,America and south Asia,supplying obsolete and hard-to-find components to meet their specific needs.

With the principle of “Quality Parts,Customers Priority,Honest Operation,and Considerate Service”,our business mainly focus on the distribution of electronic components. Line cards we deal with include Microchip,ALPS,ROHM,Xilinx,Pulse,ON,Everlight and Freescale. Main products comprise IC,Modules,Potentiometer,IC Socket,Relay,Connector.Our parts cover such applications as commercial,industrial, and automotives areas.

We are looking forward to setting up business relationship with you and hope to provide you with the best service and solution. Let us make a better world for our industry!



Contact us

Tel: +86-755-8981 8866 Fax: +86-755-8427 6832

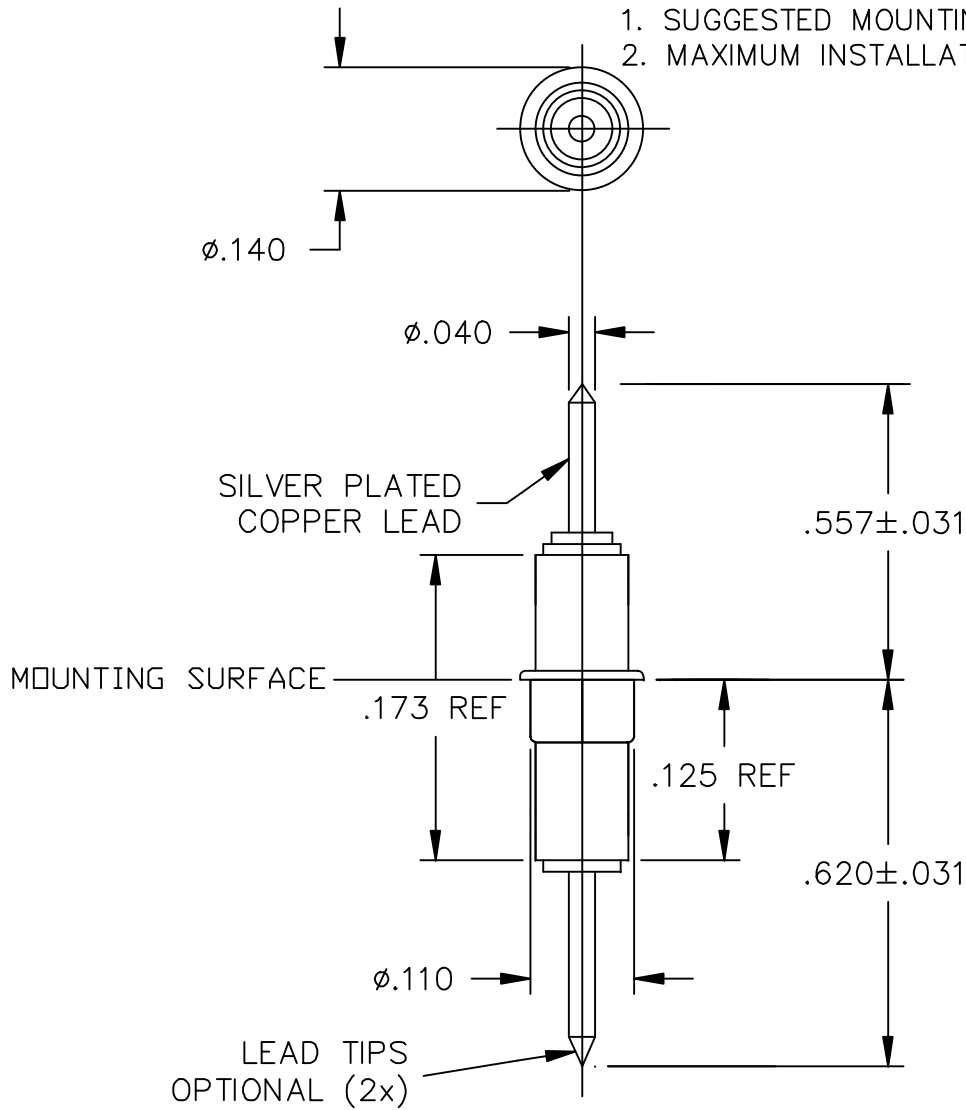
Email & Skype: info@chipsmall.com Web: www.chipsmall.com

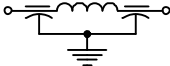
Address: A1208, Overseas Decoration Building, #122 Zhenhua RD., Futian, Shenzhen, China




NOTES:

1. SUGGESTED MOUNTING HOLE = $\phi.117 \pm .002$
2. MAXIMUM INSTALLATION TEMP.: 500°F



LEAD FINISH: SILVER	
EYELET FINISH: SOLDER	
CAPACITANCE	50pF-175pF
TEMP. RANGE	-25°C TO 85°C
CURRENT	15 AMP MAX.
WORKING VOLTAGE	85°C 100 VDC MAX.
D.C. RESISTANCE	.01ohms MAX.
MIN. I.L. PER MIL-STD-220 AT 25°C NO LOAD	
FREQ. MHz	I.L. (db)
1000	16
SCHEMATIC 	
MARKING: PART: NONE	
BAG: SCI	
51-713-095	
DATE CODE	
LOT#	
QTY/BAG (200 MAX.)	

			0	REV. NO.	TOLERANCES UNLESS OTHERWISE SPECIFIED	 SPECTRUM CONTROL INC.	ERIE, FAIRVIEW PENNSYLVANIA		
			CN 200088	CHANGE NOTICE	Fractions $\pm 1/64$			Dwn. KRDZALIC	Description
					Dec. .xx±				
					Dec. .xxx±.010				
					Angles $\pm 0^{\circ} 30'$				
CODE IDENT. NO. DLSP2	Apvd.	Scale NONE	51-713-095						