



Chipsmall Limited consists of a professional team with an average of over 10 year of expertise in the distribution of electronic components. Based in Hongkong, we have already established firm and mutual-benefit business relationships with customers from,Europe,America and south Asia,supplying obsolete and hard-to-find components to meet their specific needs.

With the principle of “Quality Parts,Customers Priority,Honest Operation,and Considerate Service”,our business mainly focus on the distribution of electronic components. Line cards we deal with include Microchip,ALPS,ROHM,Xilinx,Pulse,ON,Everlight and Freescale. Main products comprise IC,Modules,Potentiometer,IC Socket,Relay,Connector.Our parts cover such applications as commercial,industrial, and automotives areas.

We are looking forward to setting up business relationship with you and hope to provide you with the best service and solution. Let us make a better world for our industry!



Contact us

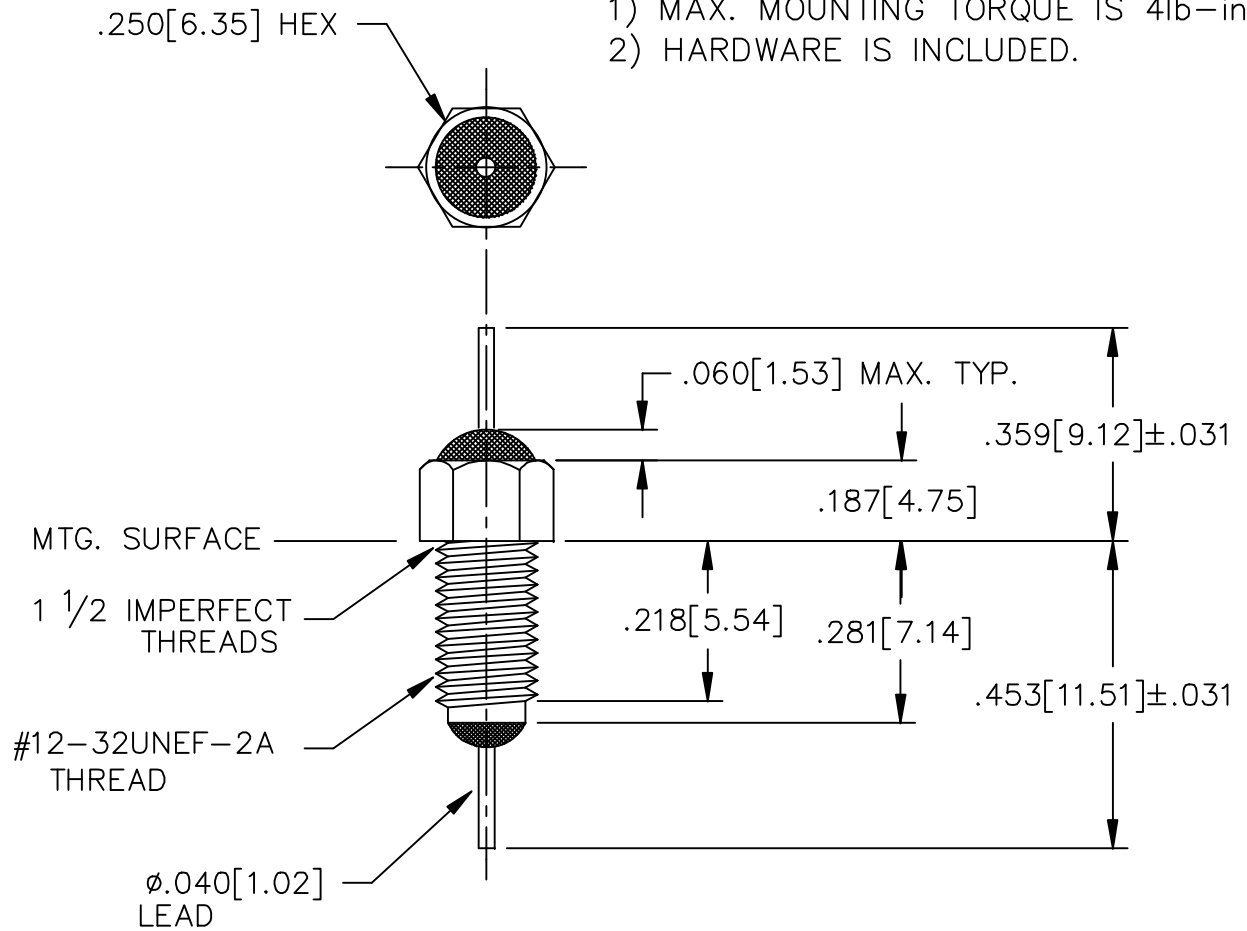
Tel: +86-755-8981 8866 Fax: +86-755-8427 6832

Email & Skype: info@chipsmall.com Web: www.chipsmall.com

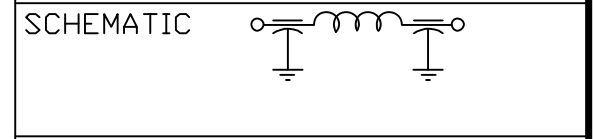
Address: A1208, Overseas Decoration Building, #122 Zhenhua RD., Futian, Shenzhen, China



NOTES:
 1) MAX. MOUNTING TORQUE IS 4lb-in.
 2) HARDWARE IS INCLUDED.



LEAD FINISH: SILVER	
BUSHING FINISH: SILVER	
CAPACITANCE	5500pF
TEMP. RANGE	-55°C TO 125°C
CURRENT	10 AMP MAX.
WORKING VOLTAGE	85°C -- VDC MAX. 125°C 200 VDC MAX.
D.C. RESISTANCE	.01ohms MAX.
MIN. I.L. PER MIL-STD-220 AT 25°C NO LOAD	
FREQ. MHz	I.L. (db)
10	14
30	25
100	50
300	65
500	--
1GHz	65
10GHz	65




MARKING:

PART: S 719-021
 (MARKING MUST BE CLEARLY LEGIBLE WITH NO MARKING VOIDS)

BAG:
 51-719-021
 DATE CODE
 QTY./BAG (100 MAX.)

62

	62	61	60	REV. NO.	TOLERANCES UNLESS OTHERWISE SPECIFIED
	CN 35419-ENG	CN 13776-CPD	CN 184956 REDRAWN	CHANGE NOTICE	Fractions ± 1/64
					Dec. .xx±
					Dec. .xxx±.010
					Angles ±0° 30'
					CODE IDENT. NO. OLSP2


 SPECTRUM CONTROL INC.

FAIRVIEW PENNSYLVANIA

Dwn. KAUFFMAN	Description Pi
Date 6-12-07	RESIN SEAL FILTER
Engr SACKETT	
Scale NONE	51-719-021

