



Chipsmall Limited consists of a professional team with an average of over 10 year of expertise in the distribution of electronic components. Based in Hongkong, we have already established firm and mutual-benefit business relationships with customers from,Europe,America and south Asia,supplying obsolete and hard-to-find components to meet their specific needs.

With the principle of “Quality Parts,Customers Priority,Honest Operation,and Considerate Service”,our business mainly focus on the distribution of electronic components. Line cards we deal with include Microchip,ALPS,ROHM,Xilinx,Pulse,ON,Everlight and Freescale. Main products comprise IC,Modules,Potentiometer,IC Socket,Relay,Connector.Our parts cover such applications as commercial,industrial, and automotives areas.

We are looking forward to setting up business relationship with you and hope to provide you with the best service and solution. Let us make a better world for our industry!



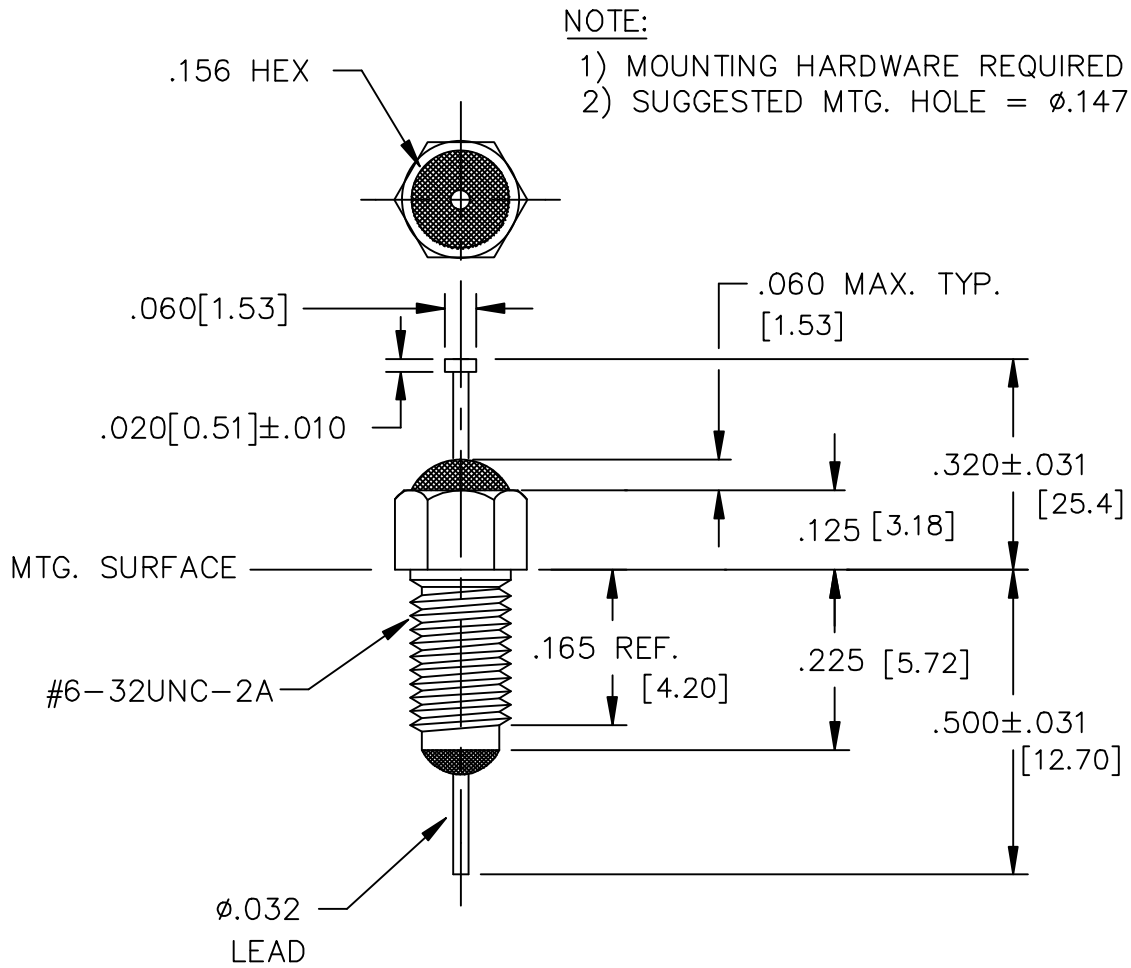
Contact us

Tel: +86-755-8981 8866 Fax: +86-755-8427 6832

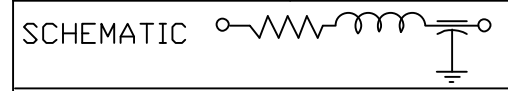
Email & Skype: info@chipsmall.com Web: www.chipsmall.com

Address: A1208, Overseas Decoration Building, #122 Zhenhua RD., Futian, Shenzhen, China





LEAD FINISH: SILVER	
BUSHING FINISH: SILVER	
CAPACITANCE	22nF GMV
TEMP. RANGE	-55°C TO 125°C
CURRENT	10 AMP MAX.
WORKING VOLTAGE	125°C 100 VDC MAX.
D.C. RESISTANCE	.01ohms MAX.
MIN. I.L. PER MIL-STD-220 AT 25°C NO LOAD	
FREQ. MHz	I.L. (db)
1	7
10	27
30	34
100	43
300	50
1GHz	60



MARKING:

PART: S726002

BAG: 51-726-002
 DATE CODE
 QTY/PACK
 (50/BAG MAX.)

	36	35	REV. NO.	TOLERANCES UNLESS OTHERWISE SPECIFIED		FAIRVIEW PENNSYLVANIA
	CN. 12268-CPD	CN 184882 REDRAWN	CHANGE NOTICE	Fractions ± 1/64		
				Dec. .xx±	Dwn:KAUFFMAN	Description FEED THRU RESIN SEAL FILTER
				Dec. .xxx±.010	Date 7-15-04	
				Angles ±0° 30'	EngrB.ENGLERT	
				CODE IDENT. NO. QLSP2	Scale NONE	51-726-002