



Chipsmall Limited consists of a professional team with an average of over 10 year of expertise in the distribution of electronic components. Based in Hongkong, we have already established firm and mutual-benefit business relationships with customers from,Europe,America and south Asia,supplying obsolete and hard-to-find components to meet their specific needs.

With the principle of “Quality Parts,Customers Priority,Honest Operation,and Considerate Service”,our business mainly focus on the distribution of electronic components. Line cards we deal with include Microchip,ALPS,ROHM,Xilinx,Pulse,ON,Everlight and Freescale. Main products comprise IC,Modules,Potentiometer,IC Socket,Relay,Connector.Our parts cover such applications as commercial,industrial, and automotives areas.

We are looking forward to setting up business relationship with you and hope to provide you with the best service and solution. Let us make a better world for our industry!



Contact us

Tel: +86-755-8981 8866 Fax: +86-755-8427 6832

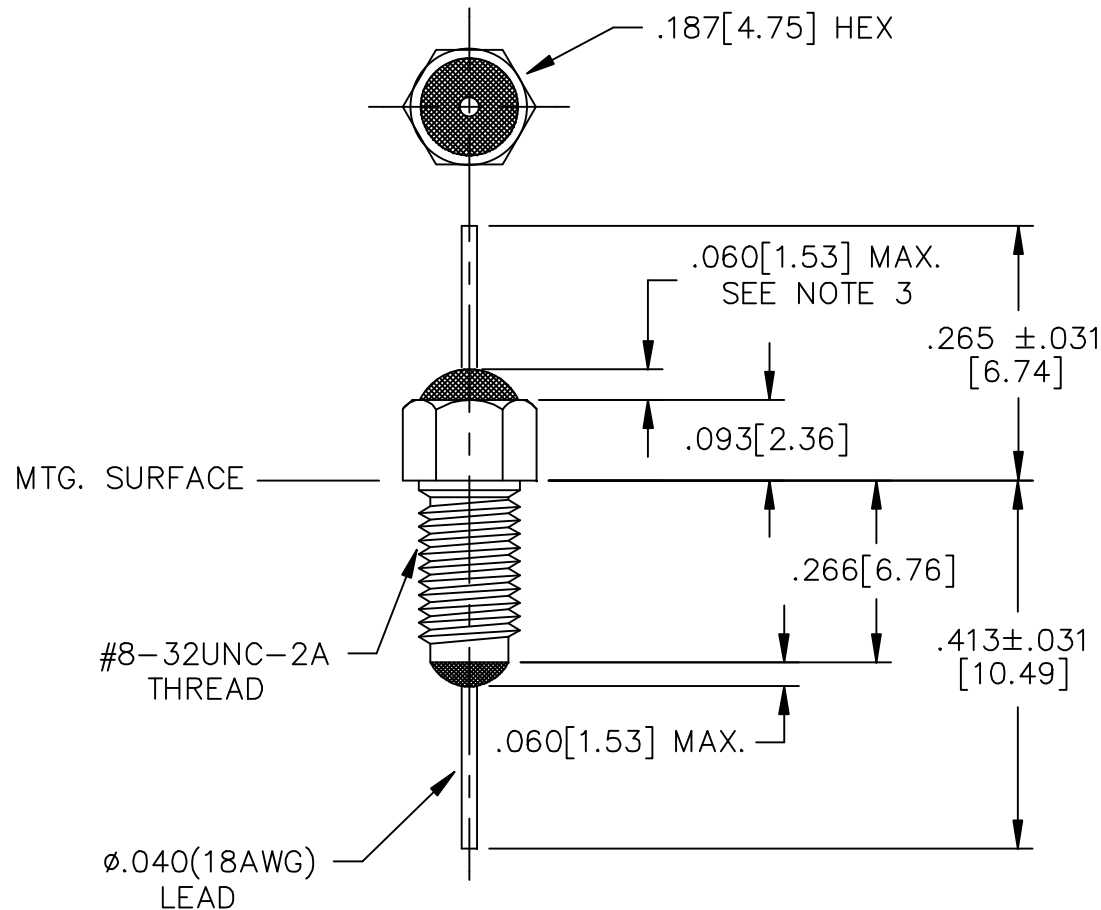
Email & Skype: info@chipsmall.com Web: www.chipsmall.com

Address: A1208, Overseas Decoration Building, #122 Zhenhua RD., Futian, Shenzhen, China



NOTES:

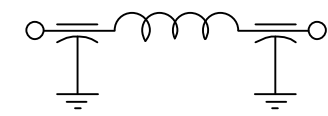
1. MAXIMUM MOUNTING TORQUE = 4lbs-in.
2. HARDWARE IS INCLUDED.
3. NO POTTING VOIDS ALLOWED.



49

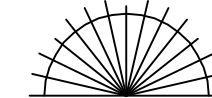
LEAD FINISH:	SOLDER
BUSHING FINISH:	SILVER
CAPACITANCE	5500pF +100/-0%
TEMP. RANGE	-55°C TO 125°C
CURRENT	15 AMP MAX.
WORKING VOLTAGE	85°C --- VDC MAX. 125°C 200 VDC MAX.
D.C. RESISTANCE	.01ohms MAX.
MIN. I.L. PER MIL-STD-220 AT 25°C NO LOAD	
FREQ. MHz	I.L. (db)
10	14
30	30
100	55
300	70
1 GHz	70

SCHEMATIC



MARKING:

PART: S002
 BAG:
 SCI 51-744-002
 DATE CODE:
 QTY./BAG (100 MAX.)

	49	48	47	46	45	44	43	REV. NO.	TOLERANCES UNLESS OTHERWISE SPECIFIED	 SPECTRUM CONTROL INC. FAIRVIEW PENNSYLVANIA		
	CN 40280-ENG	CN 10814-CPD	CN 211305	CN 199636	CN 199259	CN 188259	CN 184950	CHANGE NOTICE	Fractions \pm 1/64		Dwn. KAUFFMAN	Description Pi
									Dec. .xx \pm		Ckd. 2-26-08	RESIN SEAL FILTER
									Dec. .xxx \pm .005		Engr. B. DEVINE	51-744-002
									Angles \pm 0° 30'		Scale NONE	
									CODE IDENT. NO. DLSP2			

