



Chipsmall Limited consists of a professional team with an average of over 10 year of expertise in the distribution of electronic components. Based in Hongkong, we have already established firm and mutual-benefit business relationships with customers from,Europe,America and south Asia,supplying obsolete and hard-to-find components to meet their specific needs.

With the principle of “Quality Parts,Customers Priority,Honest Operation,and Considerate Service”,our business mainly focus on the distribution of electronic components. Line cards we deal with include Microchip,ALPS,ROHM,Xilinx,Pulse,ON,Everlight and Freescale. Main products comprise IC,Modules,Potentiometer,IC Socket,Relay,Connector.Our parts cover such applications as commercial,industrial, and automotives areas.

We are looking forward to setting up business relationship with you and hope to provide you with the best service and solution. Let us make a better world for our industry!



Contact us


Tel: +86-755-8981 8866 Fax: +86-755-8427 6832

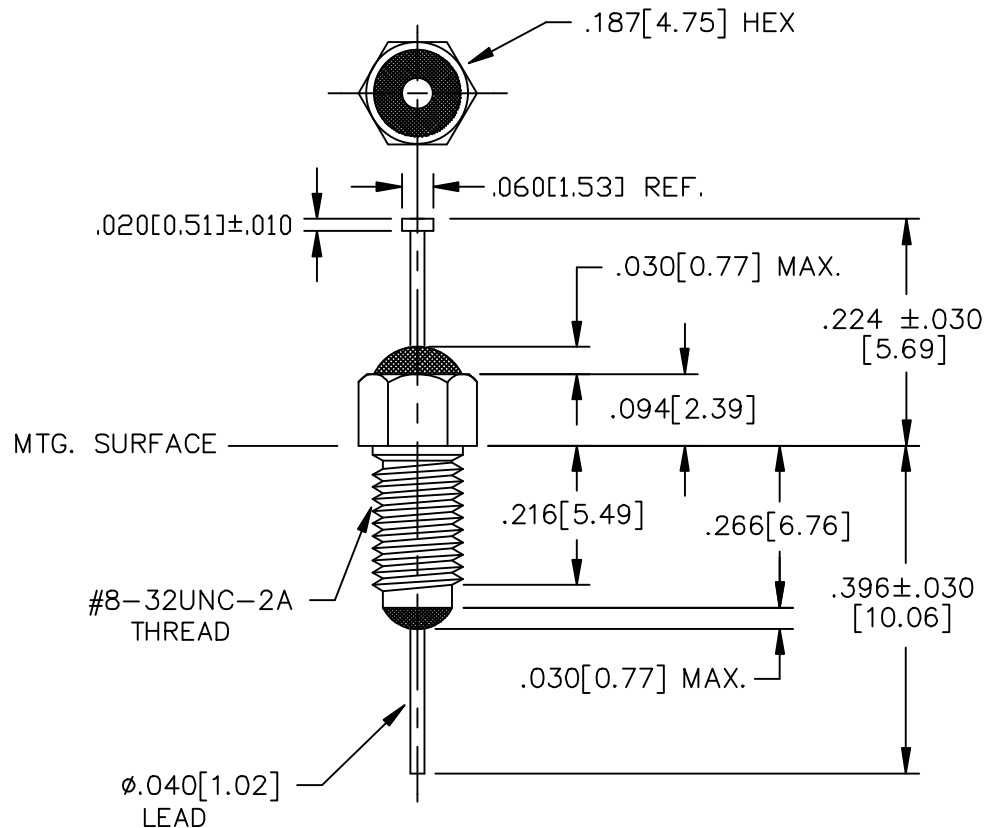
Email & Skype: info@chipsmall.com Web: www.chipsmall.com

Address: A1208, Overseas Decoration Building, #122 Zhenhua RD., Futian, Shenzhen, China

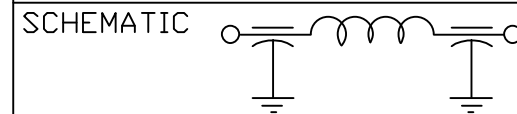


NOTES:


1. MAXIMUM MOUNTING TORQUE = 4lbs-in.
2. HARDWARE IS INCLUDED.
3. THIS PART CODED "NCA". API TECHNOLOGIES  DOES NOT HAVE CHANGE AUTHORITY. CUSTOMER APPROVAL REQUIRED BEFORE PRODUCT/PROCESS CHANGES CAN BE MADE.



LEAD FINISH: SOLDER	
BUSHING FINISH: SOLDER COATED	
CAPACITANCE	3000pF +100/-0%
TEMP. RANGE	-55°C TO 125°C
CURRENT	15 AMP MAX.
WORKING VOLTAGE	85°C 85 VAC MAX. 125°C 125 VDC MAX.
D.C. RESISTANCE	.01ohms MAX.
MIN. I.L. PER MIL-STD-220 AT 25°C NO LOAD	
FREQ. MHz	I.L. (db)
10	10
30	--
100	30
500	55
1-10 GHz	65



MARKING:
 PART: M15733/44-0001
 BAG:
 MIL 15733/44-0001
 OLSP2
 125VDC
 MAX. OPER. TEMP. : 125°C
 15 AMPS
 QTY/BAG (100 MAX.)
 P.O. NO.
 NOTE: PACKAGE TO BE MARKED SAME AS THE BAG.

	46	45	44	43	REV. NO.	TOLERANCES UNLESS OTHERWISE SPECIFIED	 api technologies corp.	FAIRVIEW PENNSYLVANIA	
	CN 68508-ENG	CN 23396-CPD	CN 211855	CN 184950	CHANGE NOTICE	Fractions ± 1/64		Dwn. KAUFFMAN	Description Pi
						Dec. .xx±	Date 4-23-13	RESIN SEAL FILTER	
						Dec. .xxx±.005	Engr. M.McALEVY	51-744-003	
						Angles ±0° 30'	Scale NONE		
						CODE IDENT. NO. OLSP2			