



Chipsmall Limited consists of a professional team with an average of over 10 year of expertise in the distribution of electronic components. Based in Hongkong, we have already established firm and mutual-benefit business relationships with customers from,Europe,America and south Asia,supplying obsolete and hard-to-find components to meet their specific needs.

With the principle of “Quality Parts,Customers Priority,Honest Operation,and Considerate Service”,our business mainly focus on the distribution of electronic components. Line cards we deal with include Microchip,ALPS,ROHM,Xilinx,Pulse,ON,Everlight and Freescale. Main products comprise IC,Modules,Potentiometer,IC Socket,Relay,Connector.Our parts cover such applications as commercial,industrial, and automotives areas.

We are looking forward to setting up business relationship with you and hope to provide you with the best service and solution. Let us make a better world for our industry!



Contact us

Tel: +86-755-8981 8866 Fax: +86-755-8427 6832

Email & Skype: info@chipsmall.com Web: www.chipsmall.com

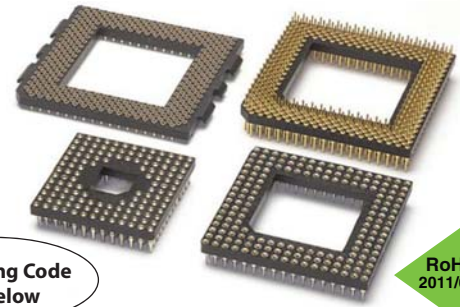
Address: A1208, Overseas Decoration Building, #122 Zhenhua RD., Futian, Shenzhen, China



PIN GRID ARRAY SOCKETS

SERIES 510, 511, 514, 515, 522, 523 • .100" AND INTERSTITIAL GRID • SURFACE MOUNT, THROUGH-HOLE AND WIREWRAP

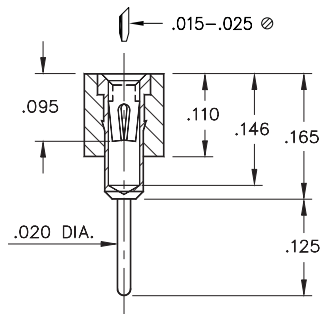
- Series 510, 511, 514, 515, 522 and 523 PGA sockets are available on .100" centers
- Series 513 and 518 PGA sockets are available for Interstitial patterns
- Choice of three low force clips to cover all applications
- High temperature PCT polyester insulator material suitable for all forms of soldering including lead-free
- For Electrical, Mechanical and Environmental Data, see page 137 for details



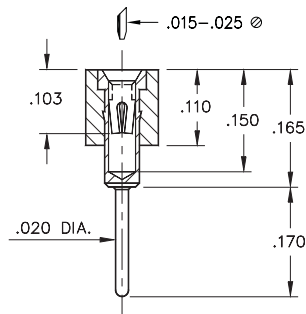
XX=Plating Code
See Below



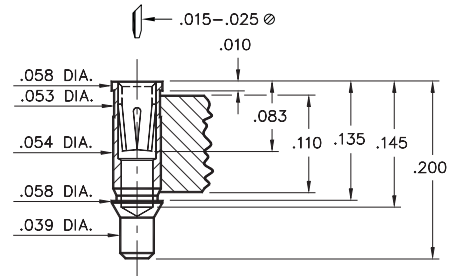
SERIES 510 (Standard Solder Tail)



SERIES 511 (Long Solder Tail)

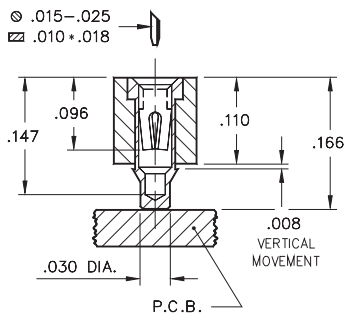


SERIES 513 (SMT Receptacle)

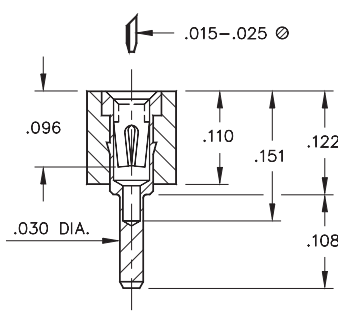


Interstitial Patterns Only

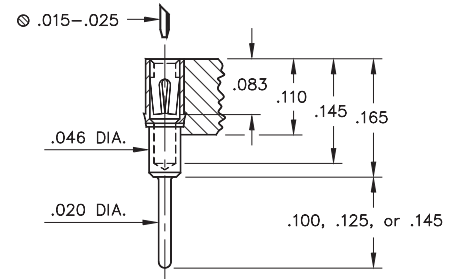
SERIES 514 (SMT Receptacle)



SERIES 515 (Low Profile Solder Tail)

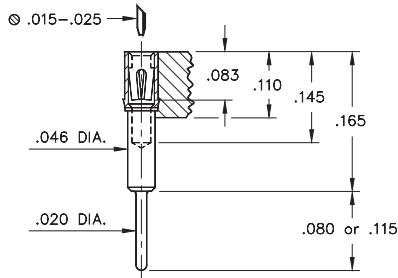


SERIES 518 (Solder Tail No, Heatsink Tabs)



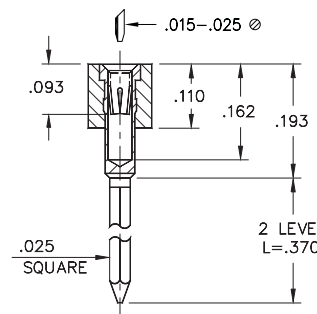
Interstitial Patterns Only

SERIES 518 (Solder Tail w/ Heatsink Tabs)

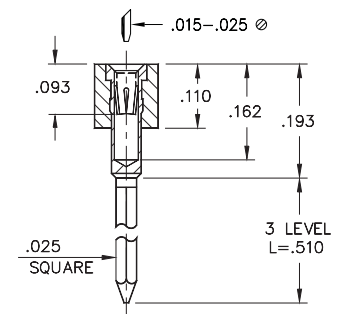


Interstitial Patterns Only



SERIES 522 (2 Level Wrappost)



SERIES 523 (3 Level Wrappost)



Visit www.mill-max.com/pgs to configure a formal part number

SPECIFY PLATING CODE XX=	13	91	93	99	43
Sleeve (Pin) 	10 μ" Au	200 μ" Sn/Pb	200 μ" Sn/Pb	200 μ" Sn/Pb	200 μ" Sn
Contact (Clip) 	30 μ" Au	10 μ" Au	30 μ" Au	100 μ" Sn/Pb	30 μ" Au

