



Chipsmall Limited consists of a professional team with an average of over 10 year of expertise in the distribution of electronic components. Based in Hongkong, we have already established firm and mutual-benefit business relationships with customers from,Europe,America and south Asia,supplying obsolete and hard-to-find components to meet their specific needs.

With the principle of “Quality Parts,Customers Priority,Honest Operation,and Considerate Service”,our business mainly focus on the distribution of electronic components. Line cards we deal with include Microchip,ALPS,ROHM,Xilinx,Pulse,ON,Everlight and Freescale. Main products comprise IC,Modules,Potentiometer,IC Socket,Relay,Connector.Our parts cover such applications as commercial,industrial, and automotives areas.

We are looking forward to setting up business relationship with you and hope to provide you with the best service and solution. Let us make a better world for our industry!



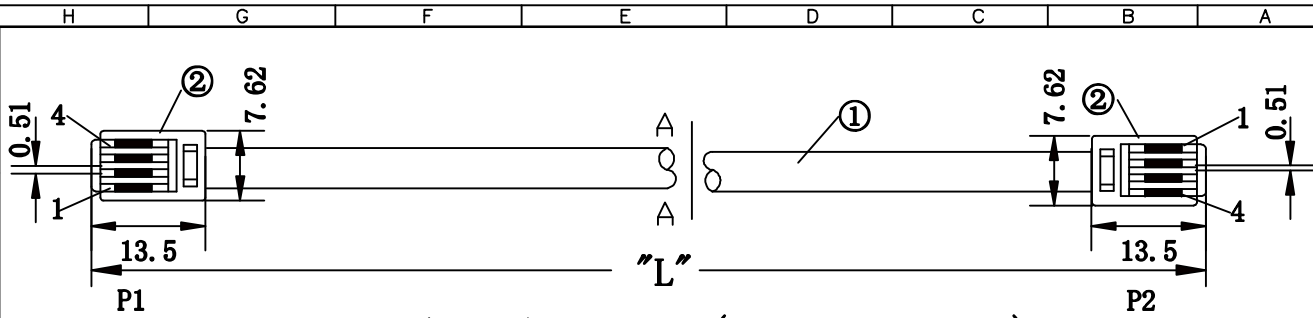
## Contact us

Tel: +86-755-8981 8866 Fax: +86-755-8427 6832

Email & Skype: info@chipsmall.com Web: www.chipsmall.com

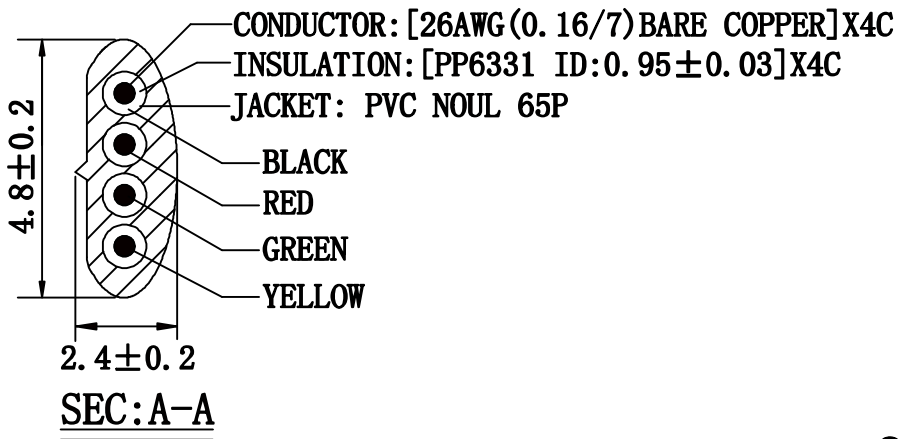
Address: A1208, Overseas Decoration Building, #122 Zhenhua RD., Futian, Shenzhen, China





The industry uses (INDUSTRIAL PARTS)  
 PACKAGE: INDIVIDUAL PE BAG.

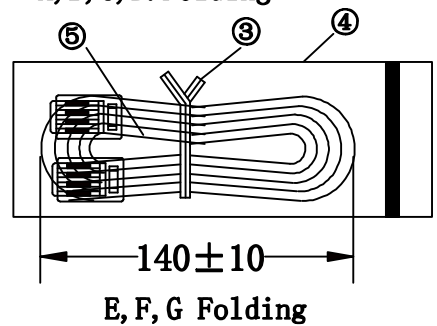
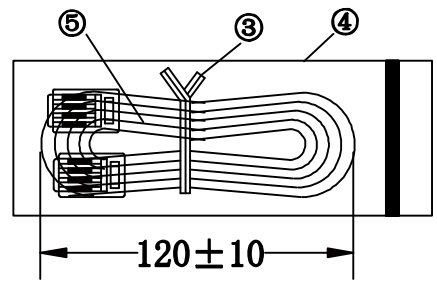
**NOTE FOR PLUG:**  
 MATERIAL: HOUSING-POLYCARBONATE, CLEAR.  
 TERMINAL-0.36 [.014] THICK PHOSPHOR BRONZE.  
 THICK GOLD IN LOCALIZED GOLD PLATE.  
 AREA, GOLD FLASH OVER THE REMAINDER.  
 OVER 2.54um [.000100] THICK NICKEL  
 UNDERPLATE.



P1		P2	
1	BLACK	4	
2	RED	3	
3	GREEN	2	
4	YELLOW	1	

NO	ITEM	DESCRIPTION	Q' TY
①	CABLE		1PCS
②	PLUG	4P4C 50U"	2PCS
③	CABLE TIE	Concrete such as material detail form	1PCS
④	PE BAG		1PCS

PART NO	DRAWING NO	WIRE LENTH "L"	BUYER COLOR	VENDOR COLOR	CUT LENGTH
510-26-4400-BL-0005F	A	1525 ± 20 (5FT)	Black	BLACK LIGHT	1525-1535MM
510-26-4400-BL-0007F	B	2135 ± 30 (7FT)	Black	BLACK LIGHT	2135-2145MM
510-26-4400-BL-0010F	C	3050 ± 60 (10FT)	Black	BLACK LIGHT	3050-3060MM
510-26-4400-BL-0012F	D	3660 ± 60 (12FT)	Black	BLACK LIGHT	3660-3670MM
510-26-4400-BL-0014F	E	4270 ± 60 (14FT)	Black	BLACK LIGHT	4270-4280MM
510-26-4400-BL-0025F	F	7625 ± 100 (25FT)	Black	BLACK LIGHT	7625-7635MM
510-26-4400-BL-0050F	G	15250 ± 150 (50FT)	Black	BLACK LIGHT	15250-15260



REVISED	VERSION	BASIS	CONTENTS
12-02-20	A/0	T0210A	NEW DRAWING

<b>CnC Tech, LLC</b> Industrial Cable and Connector Technology	
IDRAWING NO: 671-308	CUSTOMER: L-671
ITEM NO: 4C LINE CORD P+P PLUG	UNIT: mm
DATE: 2012-02-20	ISSUE: (A/0)
DRAWN: QE:	QA:
SALES DEPT:	SALES MANAGER: