



Chipsmall Limited consists of a professional team with an average of over 10 year of expertise in the distribution of electronic components. Based in Hongkong, we have already established firm and mutual-benefit business relationships with customers from,Europe,America and south Asia,supplying obsolete and hard-to-find components to meet their specific needs.

With the principle of "Quality Parts,Customers Priority,Honest Operation,and Considerate Service",our business mainly focus on the distribution of electronic components. Line cards we deal with include Microchip,ALPS,ROHM,Xilinx,Pulse,ON,Everlight and Freescale. Main products comprise IC,Modules,Potentiometer,IC Socket,Relay,Connector.Our parts cover such applications as commercial,industrial, and automotives areas.

We are looking forward to setting up business relationship with you and hope to provide you with the best service and solution. Let us make a better world for our industry!



## Contact us

Tel: +86-755-8981 8866 Fax: +86-755-8427 6832

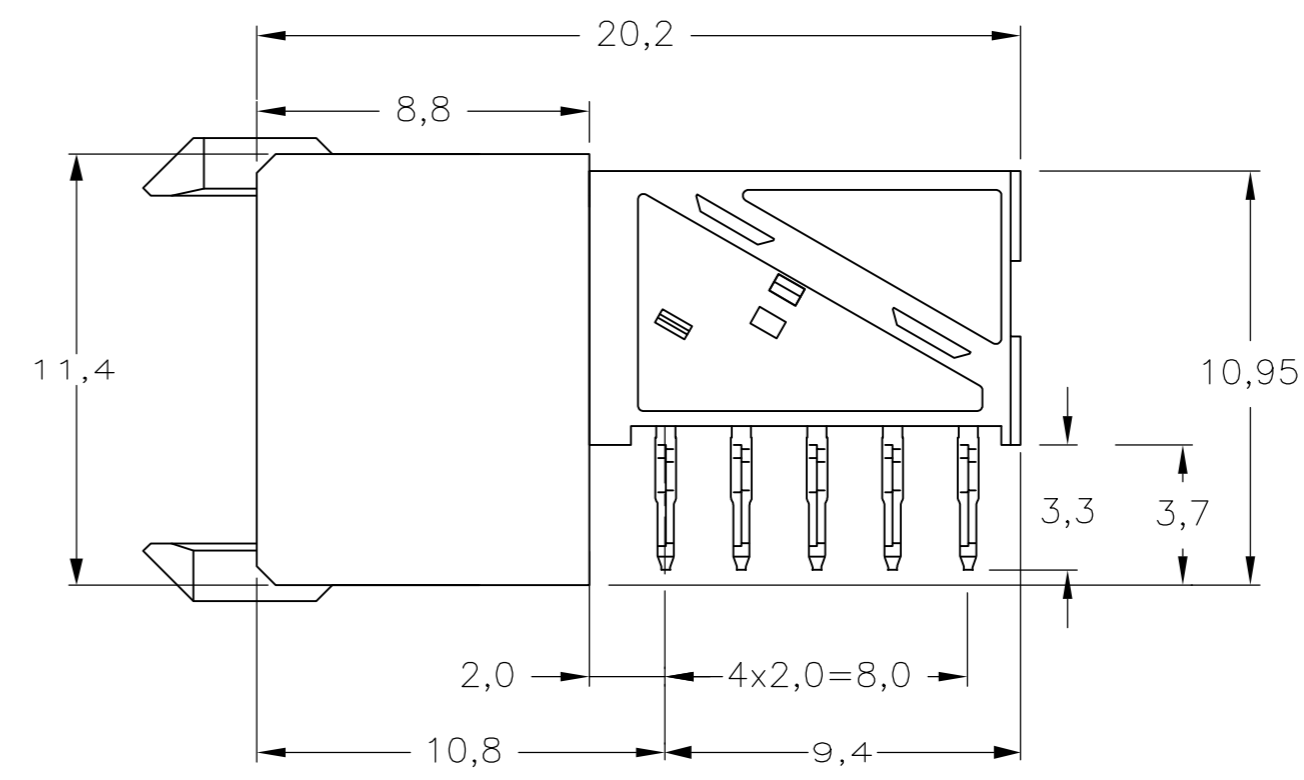
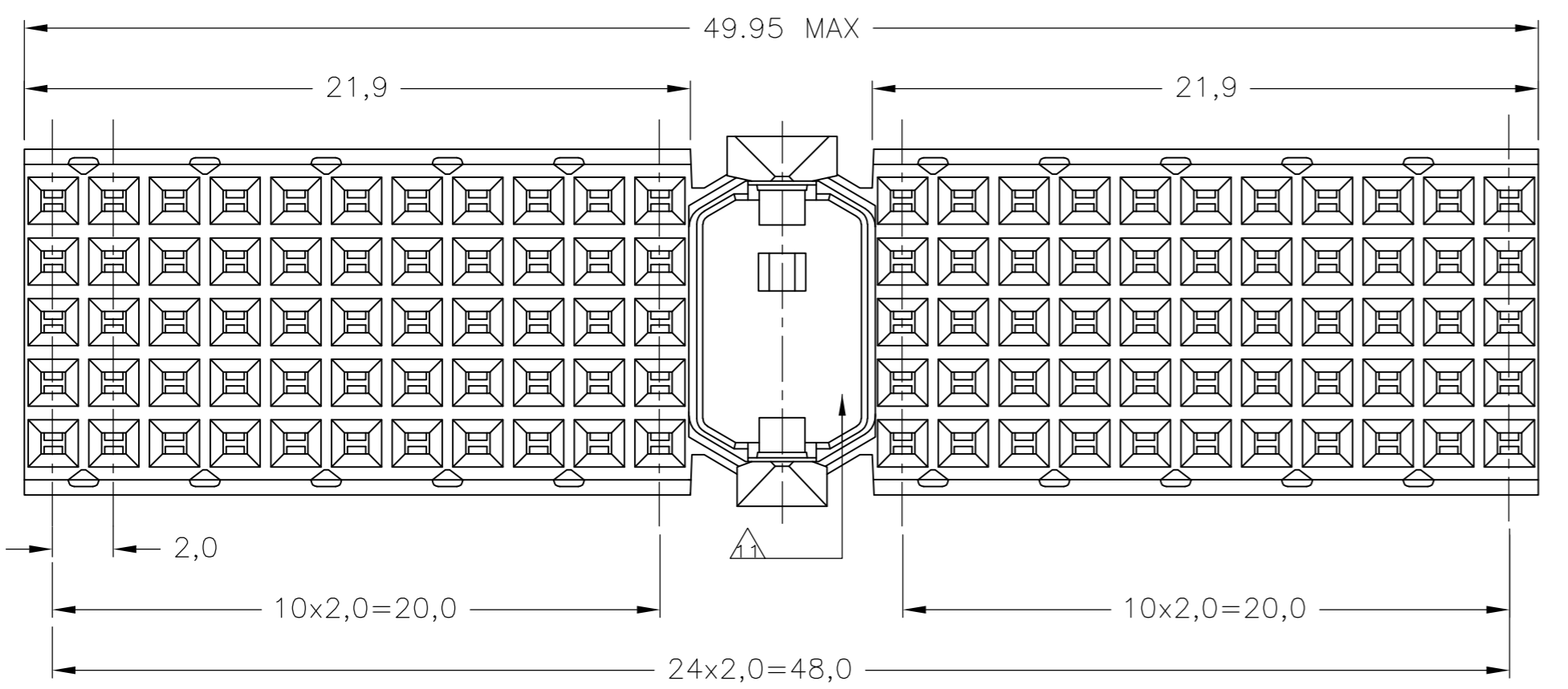
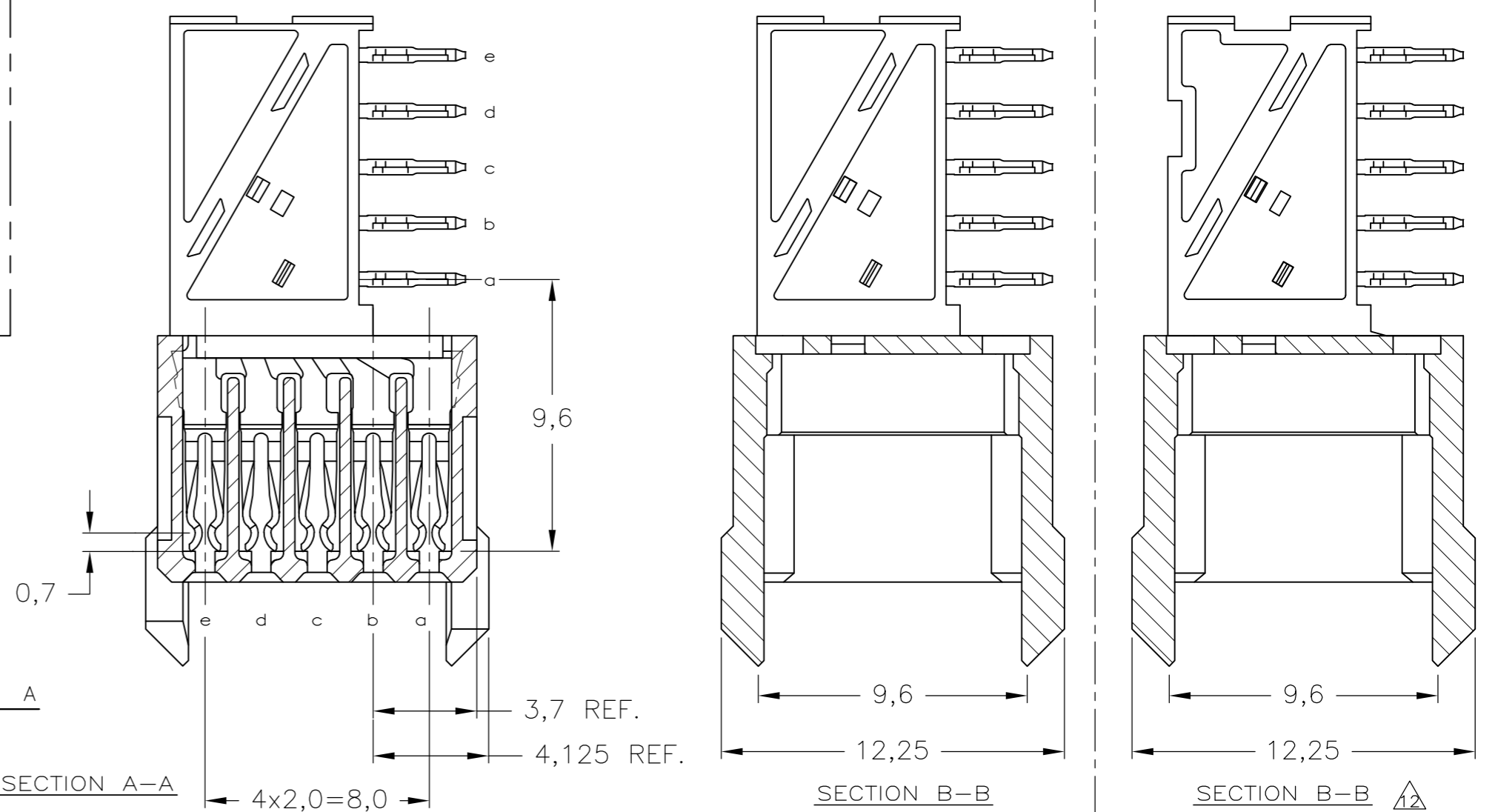
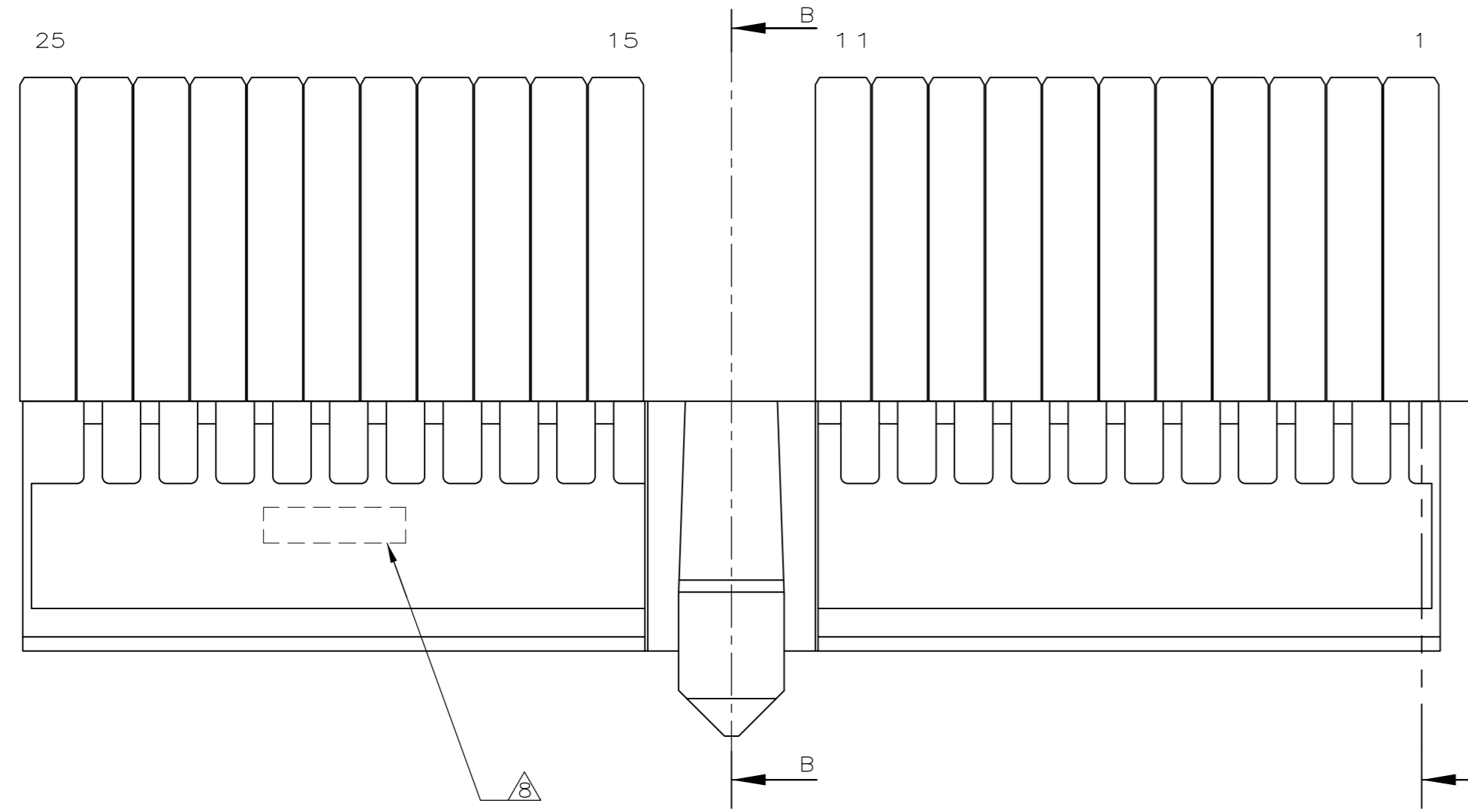
Email & Skype: info@chipsmall.com Web: www.chipsmall.com

Address: A1208, Overseas Decoration Building, #122 Zhenhua RD., Futian, Shenzhen, China

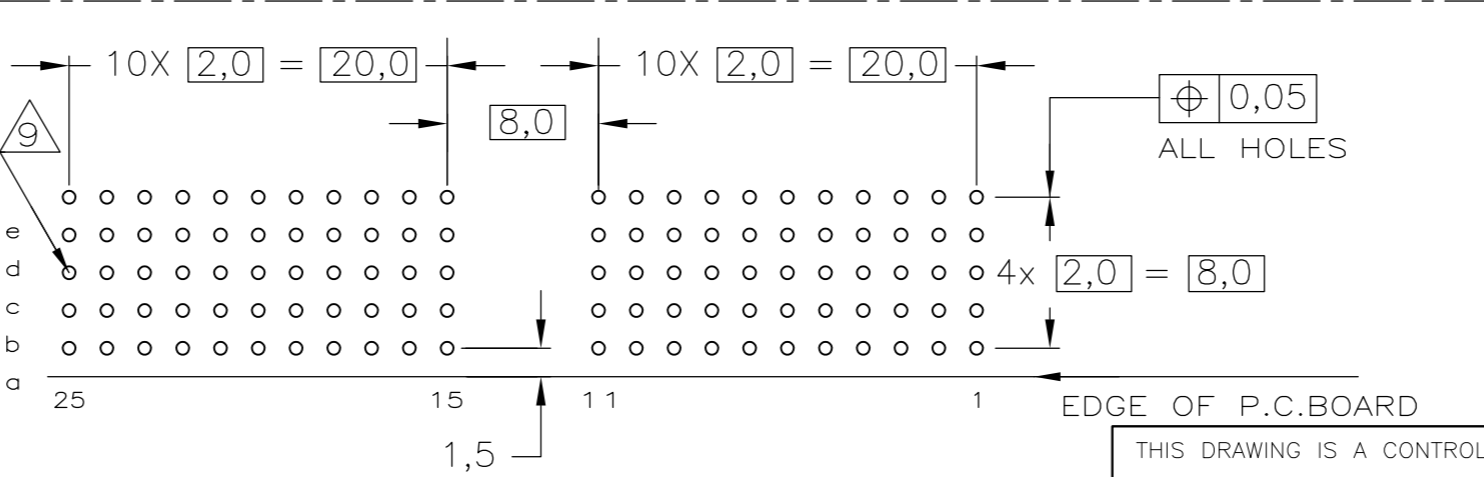


THIS DRAWING IS UNPUBLISHED. RELEASED FOR PUBLICATION  
 © COPYRIGHT - By - ALL RIGHTS RESERVED.

LOC		DIST		REVISIONS			
P	LTR	DESCRIPTION	DATE	DWN	APVD		
H	-	E	ECO-12-003005	22FEB2012	SY	MQW	



- NOTES:**
- 1 MATERIAL CONTACT; PHOSPHORBRONZE
  - 2 MATERIAL HOUSING; GLASSFILLED POLYESTER (GRAY) UL-RATING 49V0
  - 3 GENERAL PLATING SPECIFICATION: UNDERPLATING (ENTIRE CONTACT): 1,27µm NICKEL MIN. AND ACTION PIN: 0,5µm TIN MIN. FOR PLATING OF MATING SURFACES SEE APPLICABLE SPECIFICATION REFERENCE FOR EACH DASH NUMBER.
  - 4 CONFORMS TO ALL TESTING ACCORDING IEC 61076-4-101 PERFORMANCE LEVEL 2.
  - 5 CONFORMS TO ALL TESTING ACCORDING IEC 61076-4-101 PERFORMANCE LEVEL 1.
  - 6 CONNECTOR TESTED AND QUALIFIED AGAINST TELCORDIA GR-1217-CORE QUALITY LEVEL III, CENTRAL OFFICE APPLICATIONS.
  - 7 CONNECTOR TESTED AND QUALIFIED AGAINST TELCORDIA GR-1217-CORE QUALITY LEVEL III, UNCONTROLLED ENVIRONMENT APPLICATIONS.
  - 8 CONNECTOR LUBRICATED WITH TELCORDIA GR-1217-CORE APPROVED LUBRICANT.
  - 9 CONNECTOR MARKED WITH PARTNUMBER AND DATECODE. THE MARKING CAN APPEAR ON THE FRONT SIDE OR ON THE BACK SIDE.
  - 10 PLATED-THROUGH HOLES AT 2x2mm SQUARE GRID. 110 HOLES.
  - 11 FITS WITH INTEGRATED GROUND RETURN UPPERSHIELD, BASIC P.N. 5338107 AND INTEGRATED GROUND RETURN LOWERSHIELD, BASIC P.N. 5338108
  - 12 AREA RESERVED FOR CODING KEY, BASIC P.N. 100526
  - 13 CONNECTOR ASSEMBLED WITH ALTERNATE FEMALE CONTACTS.
  - 14 0.76µm MIN. GOLD PLATING AT MATING SURFACES.



SCALE 2.5:1  
 COMPONENT SIDE AS SHOWN  
 RECOMMENDED PCB-HOLE LAY-OUT

P.C.B. HOLE DIM. ACTION PIN  
 FOR DETAILS SEE APPLICATION SPECIFICATION

FINISH	MATERIAL	PARTNUMBER
233		3-5100147-0
26		1-5100147-9
253		5100147-9
24		5100147-4
23		5100147-1

THIS DRAWING IS A CONTROLLED DOCUMENT.

DWN	K.N.KIRAN	05AUG2004
CHK	B.MOOIJ	22SEP2004
APVD	B.MOOIJ	22SEP2004
PRODUCT SPEC	108-19082	
APPLICATION SPEC	114-19029	
WEIGHT	-	
CUSTOMER DRAWING		

**TE** TE Connectivity

Z-PACK 2mm HM TYPE A  
 110 POS. FEMALE CONNECTOR

SIZE	A2	CAGE CODE	00779	DRAWING NO	C=5100147	RESTRICTED TO	-
SCALE	5:1	SHEET	1 of 1	REV	E		