



Chipsmall Limited consists of a professional team with an average of over 10 year of expertise in the distribution of electronic components. Based in Hongkong, we have already established firm and mutual-benefit business relationships with customers from,Europe,America and south Asia,supplying obsolete and hard-to-find components to meet their specific needs.

With the principle of “Quality Parts,Customers Priority,Honest Operation,and Considerate Service”,our business mainly focus on the distribution of electronic components. Line cards we deal with include Microchip,ALPS,ROHM,Xilinx,Pulse,ON,Everlight and Freescale. Main products comprise IC,Modules,Potentiometer,IC Socket,Relay,Connector.Our parts cover such applications as commercial,industrial, and automotives areas.

We are looking forward to setting up business relationship with you and hope to provide you with the best service and solution. Let us make a better world for our industry!



## Contact us

Tel: +86-755-8981 8866 Fax: +86-755-8427 6832

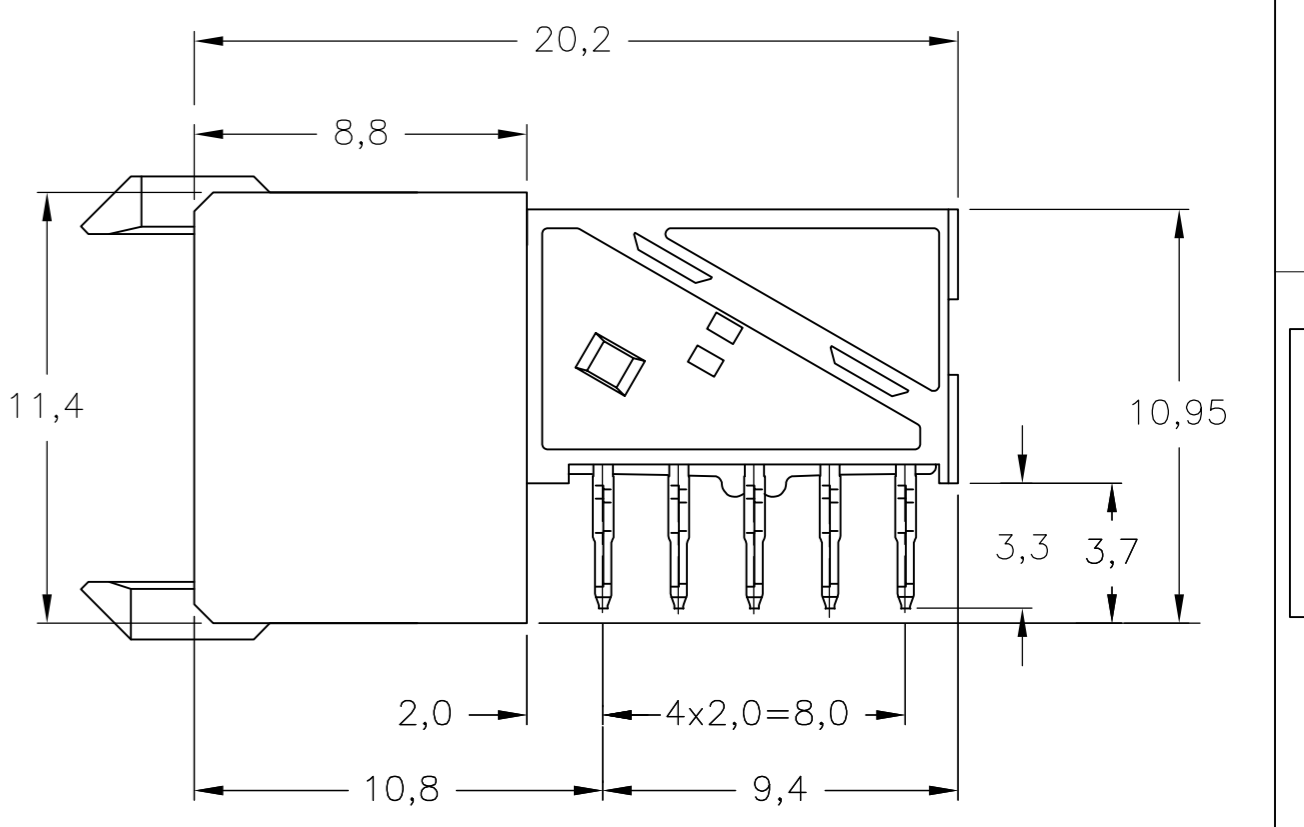
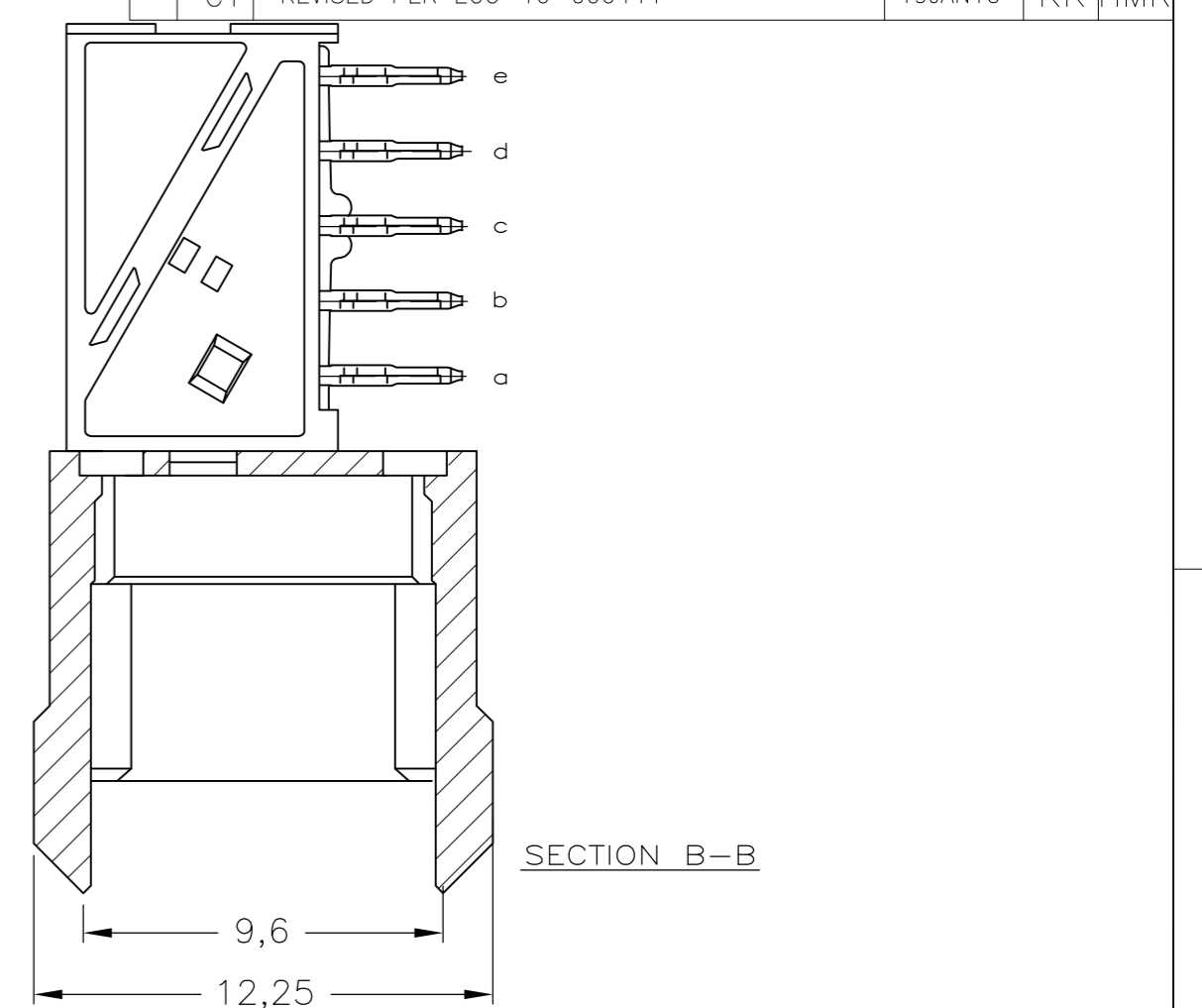
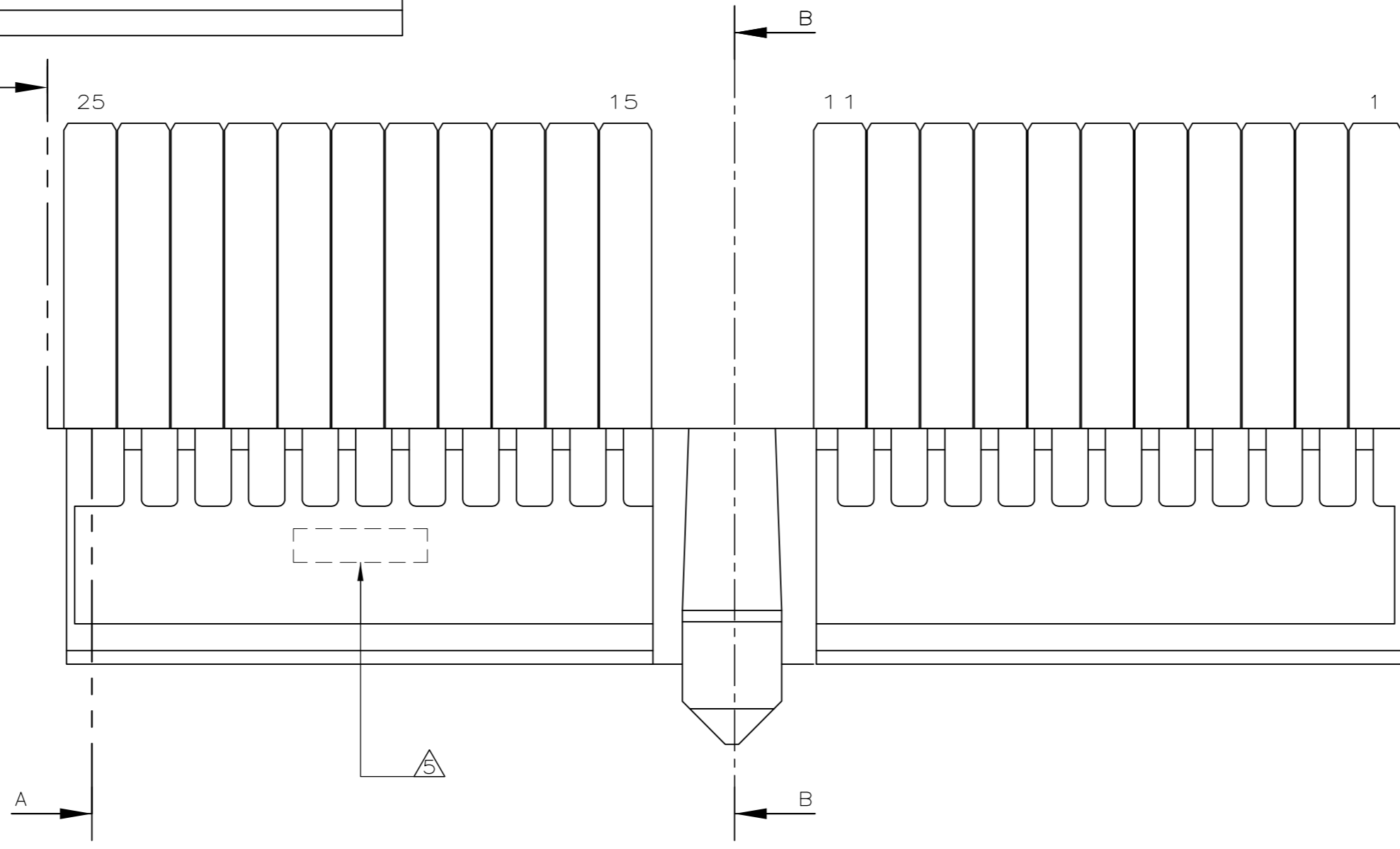
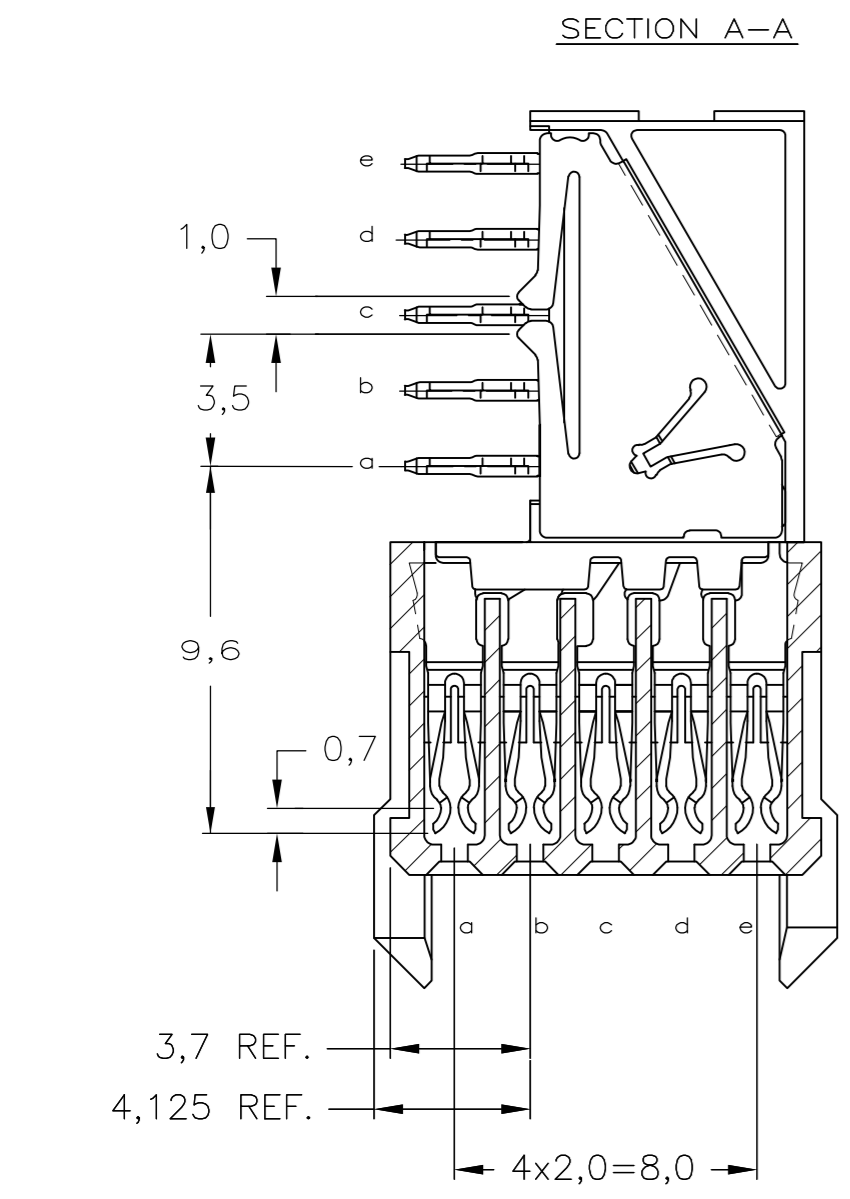
Email & Skype: info@chipsmall.com Web: www.chipsmall.com

Address: A1208, Overseas Decoration Building, #122 Zhenhua RD., Futian, Shenzhen, China

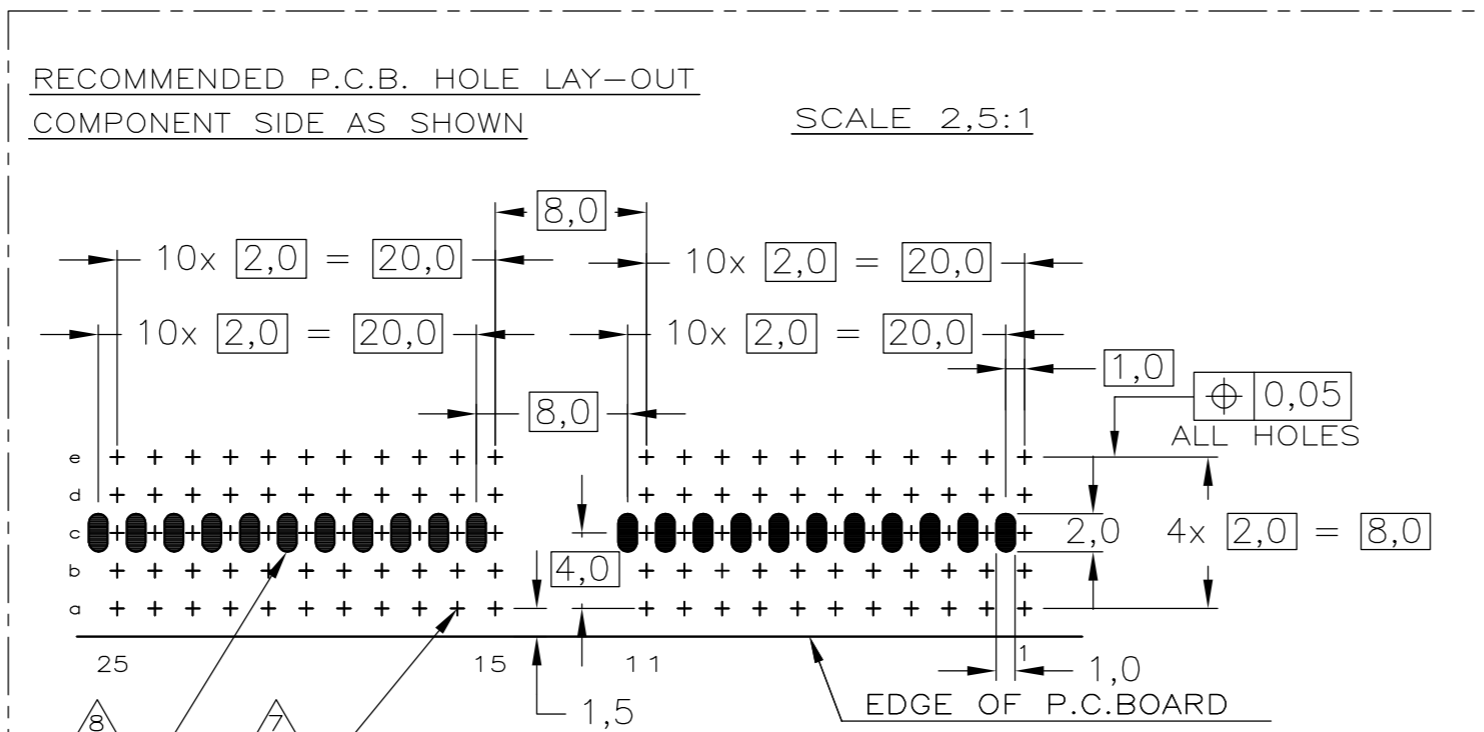


THIS DRAWING IS UNPUBLISHED. RELEASED FOR PUBLICATION  
© COPYRIGHT BY TYCO ELECTRONICS CORPORATION. ALL RIGHTS RESERVED.

LOC		DIST		REVISIONS			
P	LTR	DESCRIPTION	DATE	DWN	APVD		
C		ECR-06-026577	14-11-06	BSV	BM		
C1		REVISED PER ECO-10-000444	19JAN10	KK	HMR		



- NOTES:**
- 1 MATERIAL : CONTACT; PHOSPHORBRONZE  
REDUCED CROSS-TALK SHIELD; PHOSPHORBRONZE  
HOUSING; GLASSFILLED POLYESTER (GRAY)
  - 2 GENERAL CONTACT PLATING SPECIFICATION: UNDERPLATING (ENTIRE CONTACT): 1,27µm NICKEL MIN. AND ACTION PIN: 0,5µm TIN MIN.FOR PLATING OF MATING SURFACES SEE APPLICABLE SPECIFICATION REFERENCE FOR EACH DASH NUMBER.  
REDUCED CROSS-TALK SHIELD PLATING: GOLD FLASH OVER 1,27 µm NICKEL MIN.
  - 3 CONFORMS TO ALL TESTING ACCORDING IEC 61076-4-101 PERFORMANCE LEVEL 2.
  - 4 CONFORMS TO ALL TESTING ACCORDING IEC 61076-4-101 PERFORMANCE LEVEL 1.
  - 5 CONNECTOR PRINTED WITH PARTNUMBER AND DATECODE THE MARKING CAN APPEAR ON THE FRONT SIDE OR ON THE BACK SIDE.
  - 6 AREA RESERVED FOR KEYING PART (BASIC P.N.100526)
  - 7 PLATED-THROUGH HOLES AT 2x2mm SQUARE GRID TOTAL 110 HOLES.
  - 8 PLATED SPOT ONLY ON COMPONENT SIDE, FORMING ONE CONTACT WITH PLATED THROUGH HOLES OF ROW C
  - 9. FITS WITH INTEGRATED GROUND RETURN UPPERSHIELD 5338107-2 AND LOWERSHIELD 5338108-2.
  - 10 OBSOLETE PARTS: OBSOLETE CIS STREAMLINING PER D.RENAUD/D.SINISI



P.C.B. HOLE DIM. ACTION PIN FOR DETAILS SEE APPLICATION SPECIFICATION

2, 4	1	10	5100623-4
2, 3	1		5100623-1
FINISH		PARTNUMBER	
MATERIAL			

THIS DRAWING IS A CONTROLLED DOCUMENT.

DIMENSIONS: mm	TOLERANCES UNLESS OTHERWISE SPECIFIED:	DWN K.N.KIRAN 10AUG2004	Tyco Electronics Corporation s-HertogenBosch, Netherlands,								
	0 PLC ± -	CHK B.MOOIJ 22SEP2004									
	1 PLC ± -	APVD B.MOOIJ 22SEP2004									
	2 PLC ± -	PRODUCT SPEC									
	3 PLC ± -	108-19082									
MATERIAL	FINISH	4 PLC ± -	APPLICATION SPEC								
		ANGLES ± -	114-19029								
			WEIGHT -								
CUSTOMER DRAWING			<table border="1"> <tr> <td>SIZE A2</td> <td>CAGE CODE 00779</td> <td>DRAWING NO C=5100623</td> <td>RESTRICTED TO -</td> </tr> <tr> <td>SCALE 5:1</td> <td>SHEET 1 of 1</td> <td>REV C1</td> <td></td> </tr> </table>	SIZE A2	CAGE CODE 00779	DRAWING NO C=5100623	RESTRICTED TO -	SCALE 5:1	SHEET 1 of 1	REV C1	
SIZE A2	CAGE CODE 00779	DRAWING NO C=5100623	RESTRICTED TO -								
SCALE 5:1	SHEET 1 of 1	REV C1									