



Chipsmall Limited consists of a professional team with an average of over 10 year of expertise in the distribution of electronic components. Based in Hongkong, we have already established firm and mutual-benefit business relationships with customers from,Europe,America and south Asia,supplying obsolete and hard-to-find components to meet their specific needs.

With the principle of "Quality Parts,Customers Priority,Honest Operation,and Considerate Service",our business mainly focus on the distribution of electronic components. Line cards we deal with include Microchip,ALPS,ROHM,Xilinx,Pulse,ON,Everlight and Freescale. Main products comprise IC,Modules,Potentiometer,IC Socket,Relay,Connector.Our parts cover such applications as commercial,industrial, and automotives areas.

We are looking forward to setting up business relationship with you and hope to provide you with the best service and solution. Let us make a better world for our industry!



Contact us

Tel: +86-755-8981 8866 Fax: +86-755-8427 6832

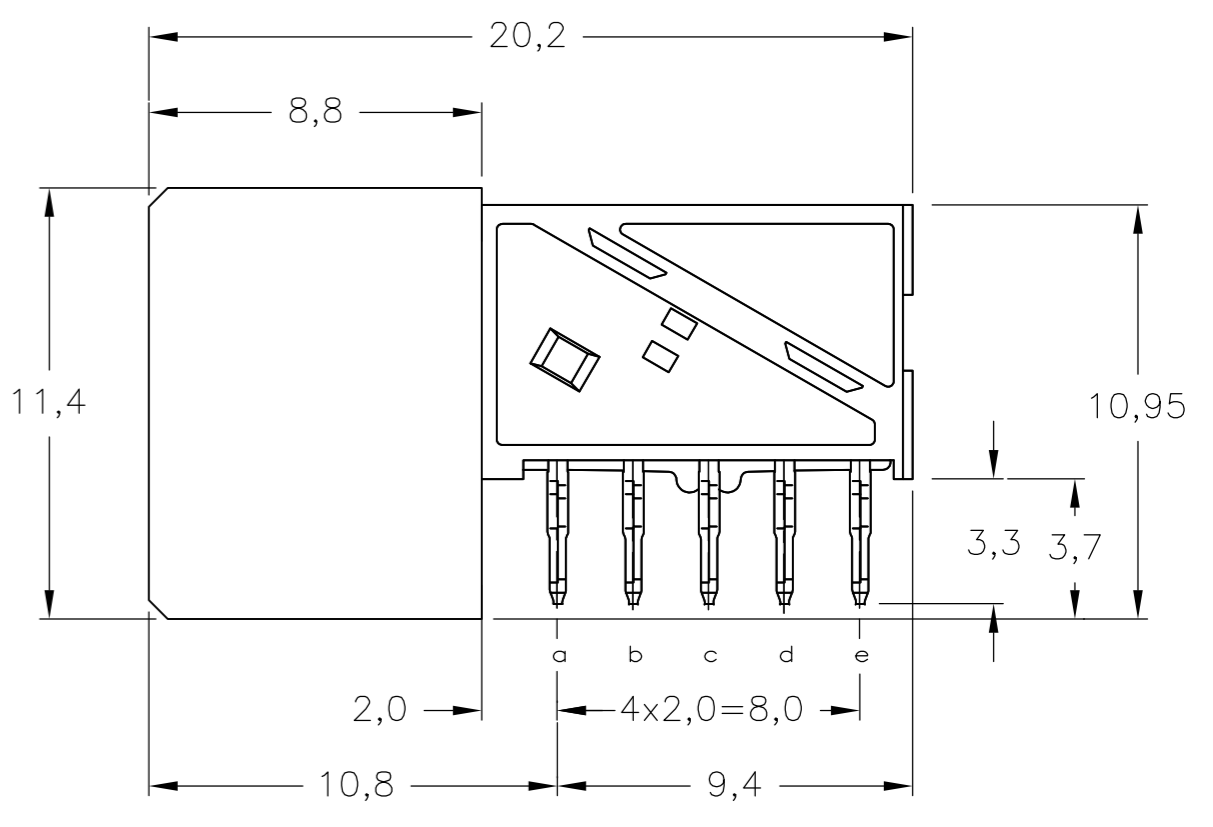
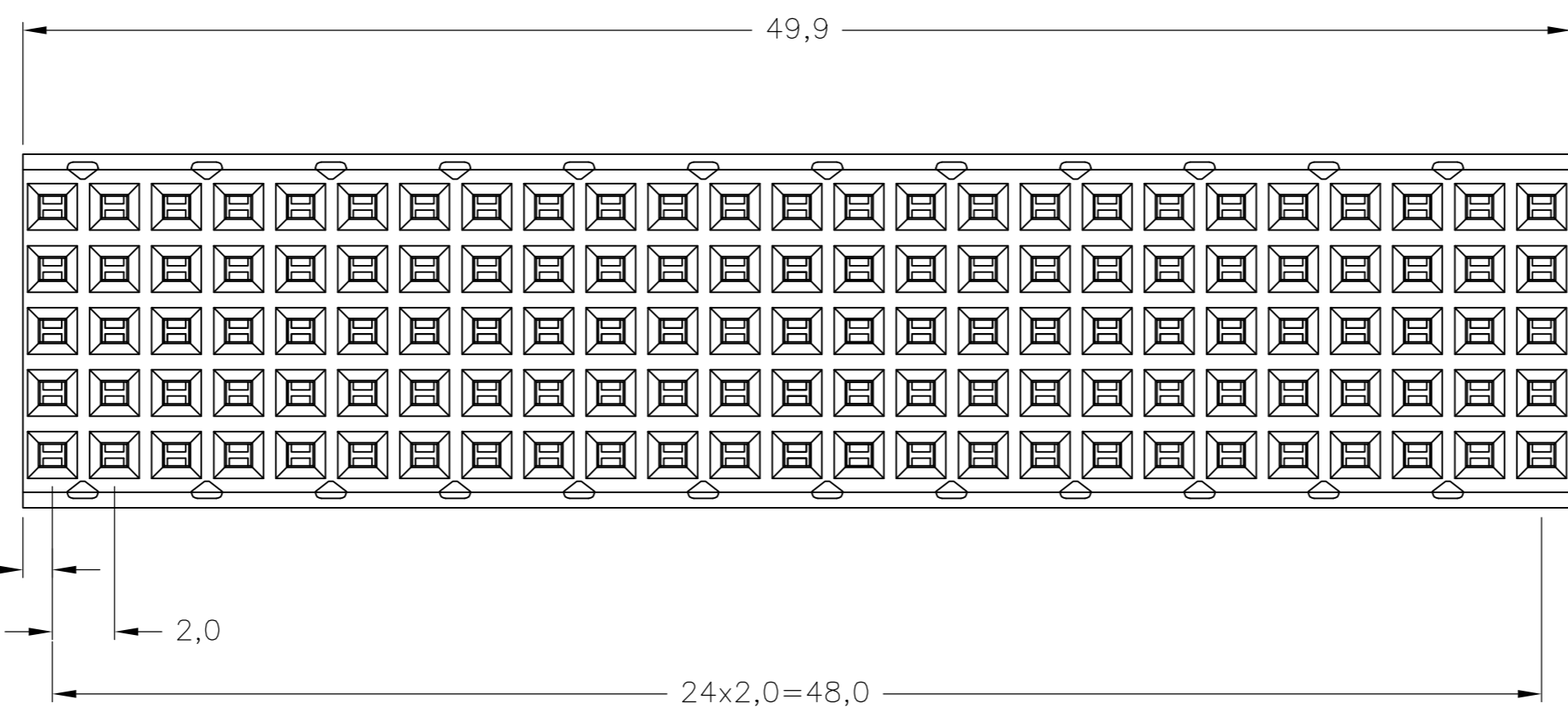
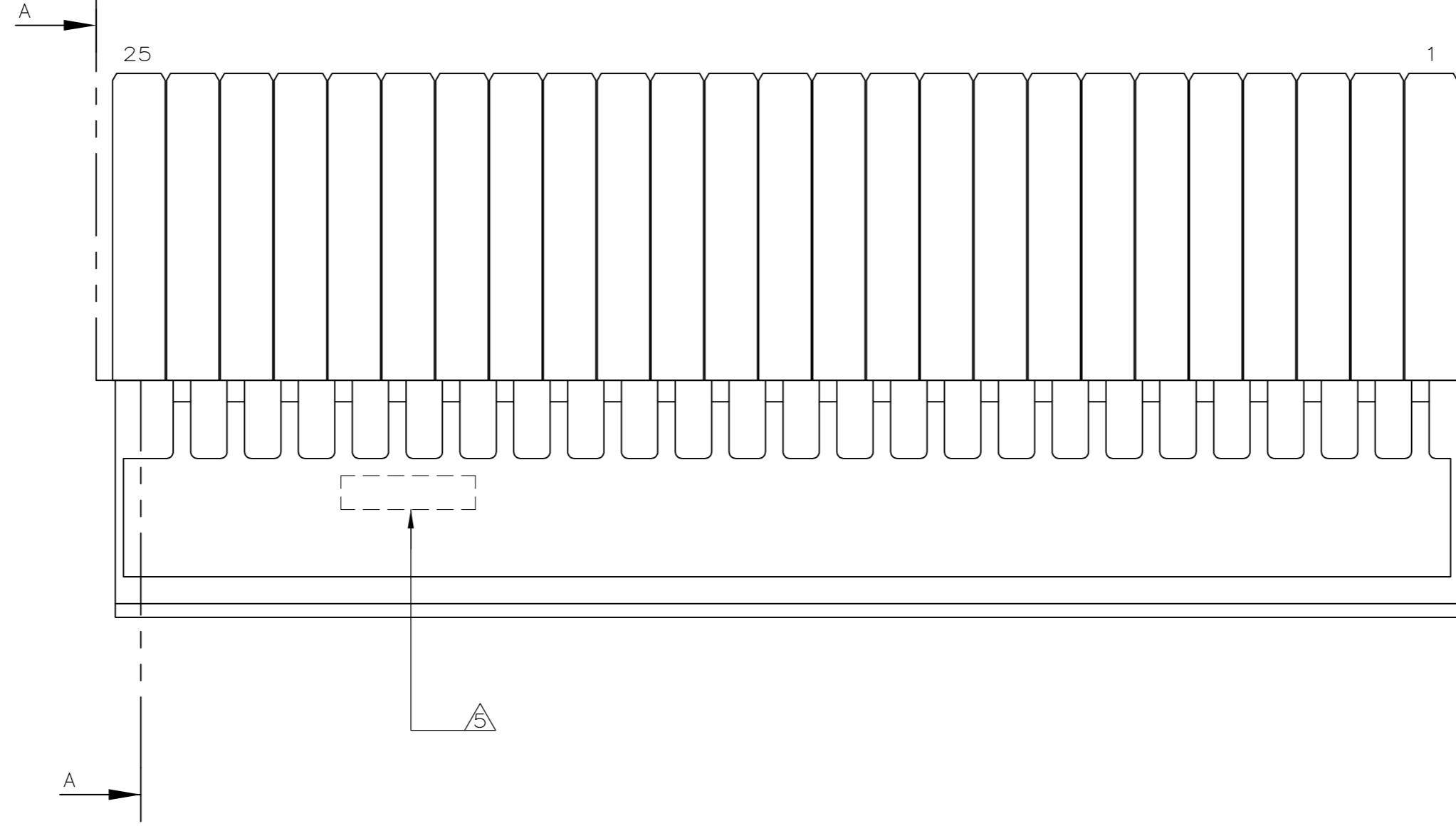
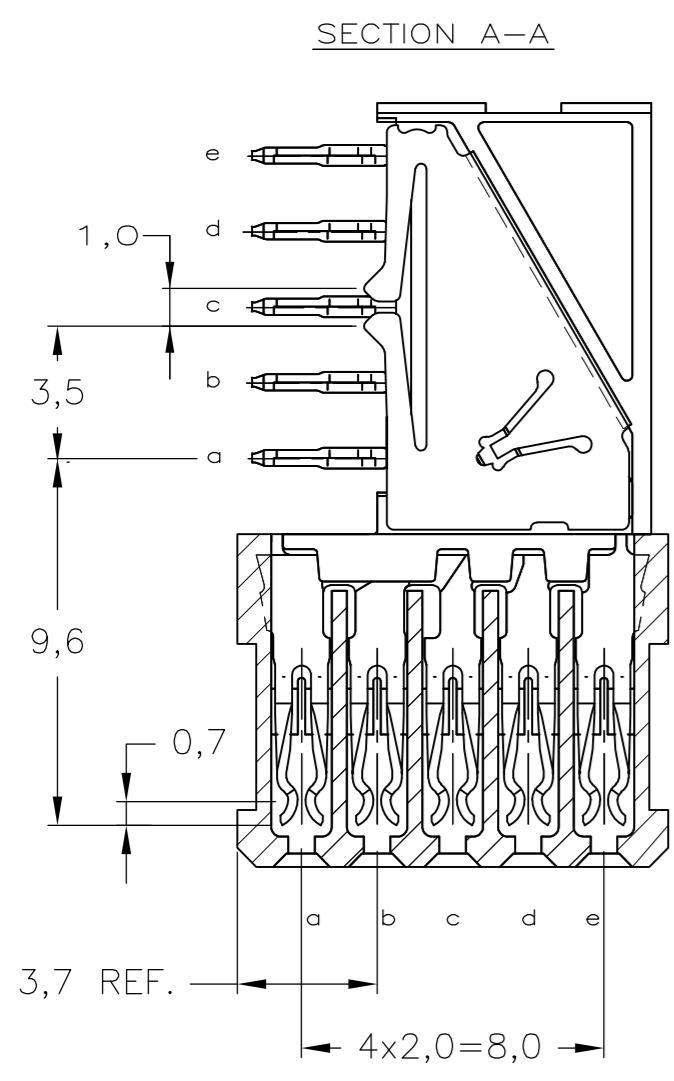
Email & Skype: info@chipsmall.com Web: www.chipsmall.com

Address: A1208, Overseas Decoration Building, #122 Zhenhua RD., Futian, Shenzhen, China

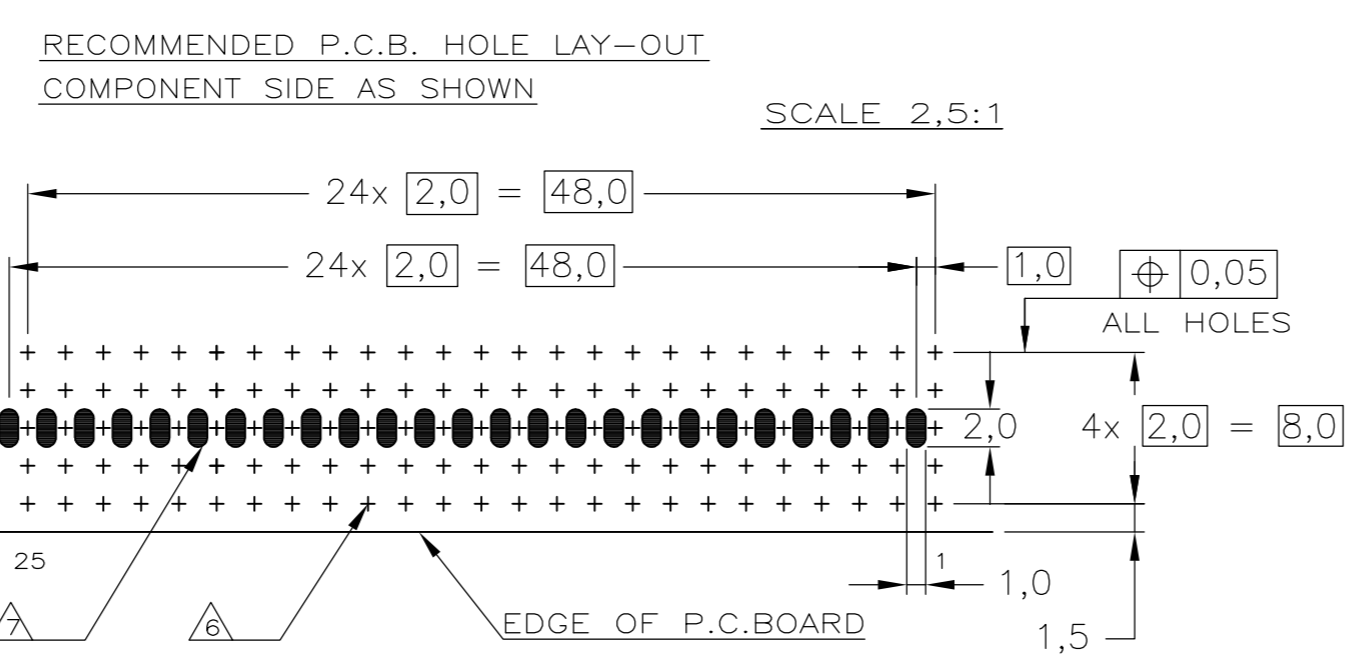


THIS DRAWING IS UNPUBLISHED. RELEASED FOR PUBLICATION
 © COPYRIGHT BY TYCO ELECTRONICS CORPORATION. ALL RIGHTS RESERVED.

LOC	DIST	REVISIONS					
		P	LTR	DESCRIPTION	DATE	DWN	APVD
H	-		C	ECR-06-026577	14-11-06	BSV	BM
			C1	ECO-10-000444	20-01-10	KK	HMR
			D	ECR-10-018652	10SEP10	SW	MQW



- NOTES:**
- MATERIAL : CONTACT; PHOSPHORBRONZE
REDUCED CROSS-TALK SHIELD; PHOSPHORBRONZE
HOUSING; GLASSFILLED POLYESTER (GRAY)
 - GENERAL CONTACT PLATING SPECIFICATION: UNDERPLATING (ENTIRE CONTACT): 1,27µm NICKEL MIN. AND ACTION PIN: 0,5µm TIN MIN. FOR PLATING OF MATING SURFACES SEE APPLICABLE SPECIFICATION REFERENCE FOR EACH DASH NUMBER. REDUCED CROSS-TALK SHIELD PLATING: GOLD FLASH OVER 1,27 µm NICKEL MIN.
 - CONFORMS TO ALL TESTING ACCORDING IEC 61076-4-101 PERFORMANCE LEVEL 2.
 - CONFORMS TO ALL TESTING ACCORDING IEC 61076-4-101 PERFORMANCE LEVEL 1.
 - CONNECTOR PRINTED WITH PARTNUMBER AND DATECODE THE MARKING CAN APPEAR ON THE FRONT SIDE OR ON THE BACK SIDE.
 - PLATED-THROUGH HOLES AT 2x2mm SQUARE GRID TOTAL 125 HOLES.
 - PLATED SPOT ONLY ON COMPONENT SIDE, FORMING ONE CONTACT WITH PLATED THROUGH HOLES OF ROW C
 - FITS WITH INTEGRATED GROUND RETURN UPPERSHIELD 5338107-2 AND LOWERSHIELD 5338108-2.
 - OBSOLETE PARTS: OBSOLETE CIS STREAMLINING PER D.RENAUD/D.SINISI



P.C.B. HOLE DIM. ACTION PIN FOR DETAILS SEE APPLICATION SPECIFICATION

FINISH	MATERIAL	PARTNUMBER
2 4	1	5100624-4
2 3	1	5100624-1

THIS DRAWING IS A CONTROLLED DOCUMENT.

DWN	K.N.KIRAN	10AUG2004	Tyco Electronics Corporation s-HertogenBosch, Netherlands,							
CHK	B.MOOIJ	23SEP2004								
APVD	B.MOOIJ	23SEP2004								
PRODUCT SPEC	108-19082	APPLICATION SPEC								
MATERIAL	-	FINISH	NAME Z-PACK 2MM HM TYPE B 125 POS. FEMALE CONNECTOR WITH REDUCED CROSS-TALK SHIELD							
WEIGHT		-	SIZE	A2	CAGE CODE	00779	DRAWING NO	C=5100624	RESTRICTED TO	-
CUSTOMER DRAWING		SCALE	5:1	SHEET	1	OF	1	REV	D	