



Chipsmall Limited consists of a professional team with an average of over 10 year of expertise in the distribution of electronic components. Based in Hongkong, we have already established firm and mutual-benefit business relationships with customers from,Europe,America and south Asia,supplying obsolete and hard-to-find components to meet their specific needs.

With the principle of “Quality Parts,Customers Priority,Honest Operation,and Considerate Service”,our business mainly focus on the distribution of electronic components. Line cards we deal with include Microchip,ALPS,ROHM,Xilinx,Pulse,ON,Everlight and Freescale. Main products comprise IC,Modules,Potentiometer,IC Socket,Relay,Connector.Our parts cover such applications as commercial,industrial, and automotives areas.

We are looking forward to setting up business relationship with you and hope to provide you with the best service and solution. Let us make a better world for our industry!



Contact us

Tel: +86-755-8981 8866 Fax: +86-755-8427 6832

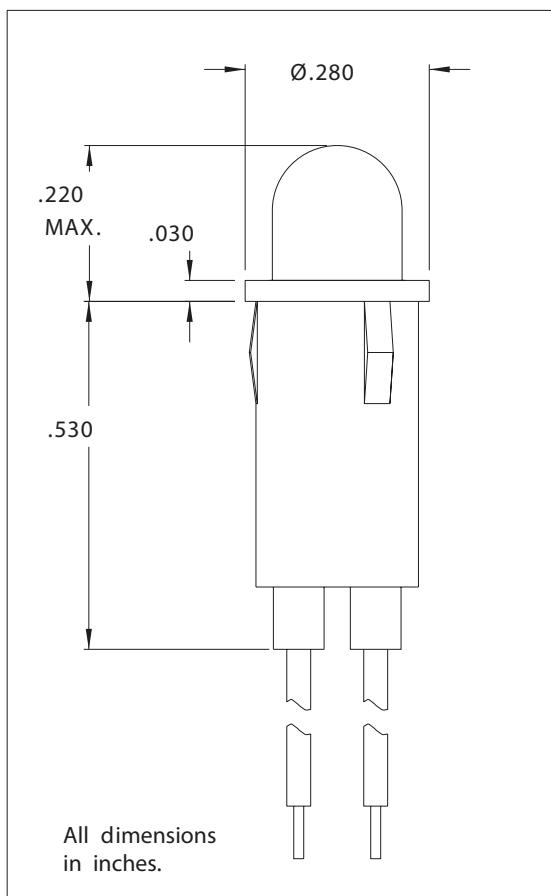
Email & Skype: info@chipsmall.com Web: www.chipsmall.com

Address: A1208, Overseas Decoration Building, #122 Zhenhua RD., Futian, Shenzhen, China





5100H Series Panel Mounting LED Indicator Lights with Wire Leads 1/4" Diameter Mounting Hole



Features

- Super-Brite 30mcd
- Low current
- Built-in resistor chip operates directly off 5 volt or 12 volt supply without external resistor.
- Flashing LED option feature available

Mounting: Will snap-fit into Ø.249"/.254" hole in panels .031"/.062" thick.

Wire Leads: No. 24 AWG, 6" insulated, bonded strands, stripped 1/2"

Anode(+): Red Lead

Housing: Black Nylon

Alternate LEDs are also available in this package as standard variations.

| Part Number | Emitted Color | Typical Intensity (mcd) | Rated Current (mA) | Continuous Forward Current Max. (mA) | Forward Voltage | | Peak Forward Current @ 1ms-300 PPS (A) | Reverse Breakdown Voltage Min. (V) | Peak Wavelength (nm) |
|-------------|---------------|-------------------------|--------------------|--------------------------------------|-----------------|----------|--|------------------------------------|----------------------|
| | | | | | Typ. (V) | Max. (V) | | | |
| 5100H1 | Red | 30 | 20 | 35 | 2.0 | 3.0 | 1.0 | 5 | 635 |
| 5100H3 | Amber | 20 | 20 | 35 | 2.0 | 3.0 | 1.0 | 5 | 608 |
| 5100H5 | Green | 30 | 20 | 30 | 2.2 | 3.0 | .09 | 5 | 562 |
| 5100H6 | Blue | 3.0 | 45 | 50 | 3.4 | 3.9 | - | 5 | 470 |
| 5100H7 | Yellow | 25 | 20 | 35 | 2.1 | 3.0 | 1.0 | 5 | 585 |
| 5100H1LC | Red | 2.0 | 2 | 7 | 1.8 | 2.2 | .007 | 5 | 635 |
| 5100H5LC | Green | 2.5 | 2 | 7 | 1.8 | 2.2 | .007 | 5 | 565 |
| 5102H1-5V | Red | 6.0 | 10 | 15 | 5 | 7.5 | - | 5 | 635 |
| 5102H3-5V | Amber | 10.0 | 20 | - | 5 | - | - | 5 | 585 |
| 5102H5-5V | Green | 10.0 | 12 | 15 | 5 | 7.5 | - | 5 | 565 |
| 5102H1-12V | Red | 4.0 | 13 | 15 | 12 | 20.0 | - | 5 | 635 |
| 5102H3-12V | Amber | 4.0 | 13 | 15 | 12 | 20.0 | - | 5 | 583 |
| 5102H5-12V | Green | 4.0 | 13 | 15 | 12 | 20.0 | - | 5 | 565 |
| 5100H1FL | Red | 80 | 20 | 38-56 | 9-12 | 13.0 | - | 0.5 | 625 |
| 5100H5FL | Green | 32 | 20 | 38-56 | 9-12 | 13.0 | - | 0.5 | 565 |
| 5100H7FL | Yellow | 32 | 20 | 38-56 | 9-12 | 13.0 | - | 0.5 | 590 |

