



Chipsmall Limited consists of a professional team with an average of over 10 year of expertise in the distribution of electronic components. Based in Hongkong, we have already established firm and mutual-benefit business relationships with customers from,Europe,America and south Asia,supplying obsolete and hard-to-find components to meet their specific needs.

With the principle of "Quality Parts,Customers Priority,Honest Operation,and Considerate Service",our business mainly focus on the distribution of electronic components. Line cards we deal with include Microchip,ALPS,ROHM,Xilinx,Pulse,ON,Everlight and Freescale. Main products comprise IC,Modules,Potentiometer,IC Socket,Relay,Connector.Our parts cover such applications as commercial,industrial, and automotives areas.

We are looking forward to setting up business relationship with you and hope to provide you with the best service and solution. Let us make a better world for our industry!



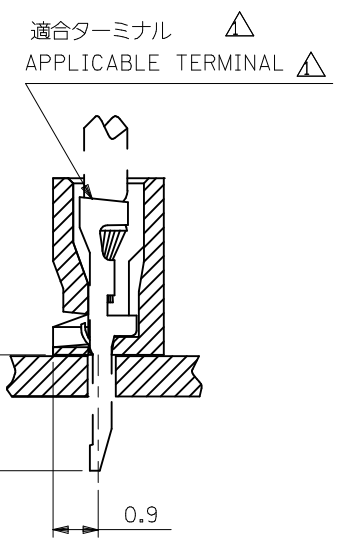
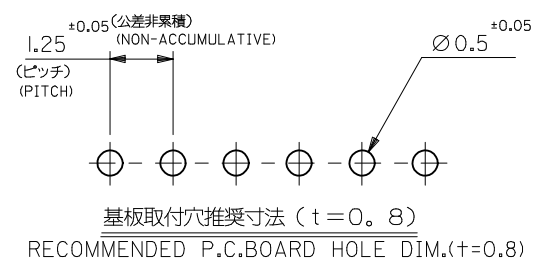
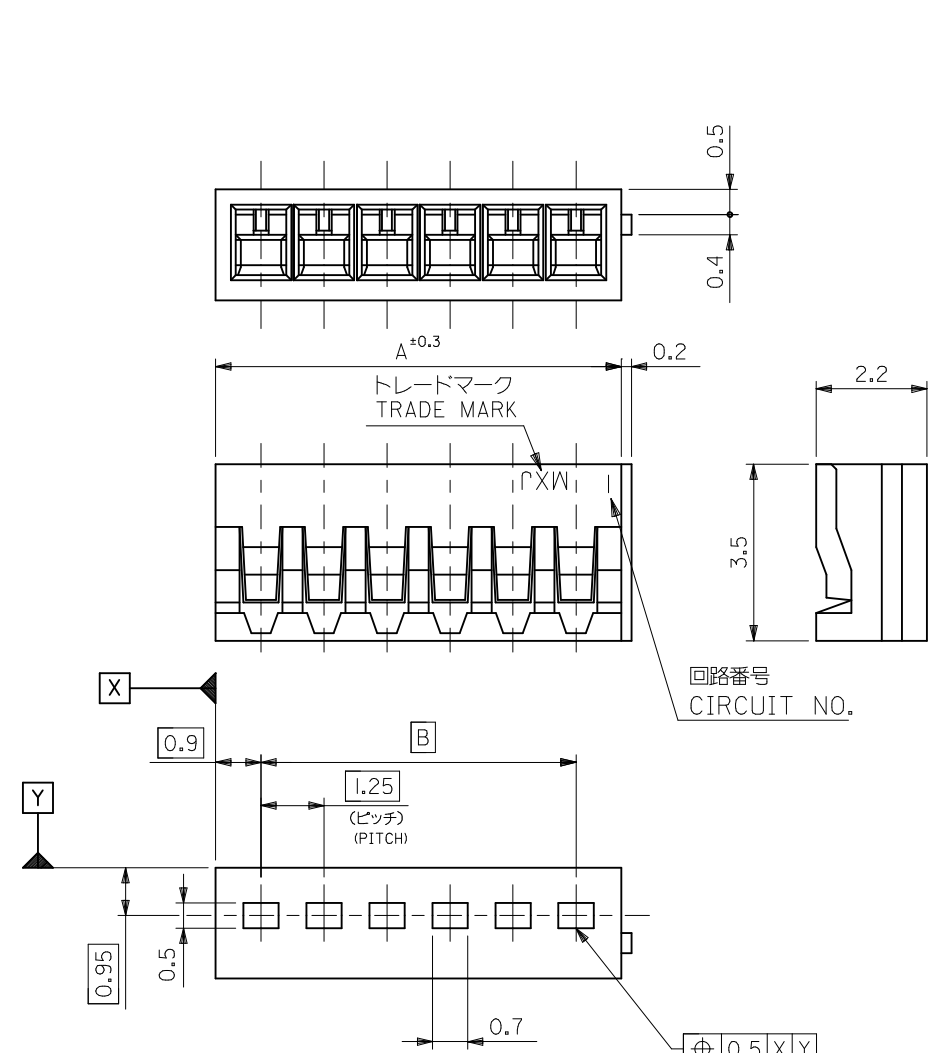
Contact us

Tel: +86-755-8981 8866 Fax: +86-755-8427 6832

Email & Skype: info@chipsmall.com Web: www.chipsmall.com

Address: A1208, Overseas Decoration Building, #122 Zhenhua RD., Futian, Shenzhen, China





注記
NOTE

△ 適合ターミナル : 50061-8*00
50080-8*00

△ APPLICABLE TERMINAL : 50061-8*00
50080-8*00

17.5	19.3	51022-1500	15
16.25	18.05	↑ -1400	14
13.75	15.55	-1200	12
12.5	14.3	-1100	11
11.25	13.05	-1000	10
8.75	10.55	-0800	8
6.25	8.05	-0600	6
5	6.8	-0500	5
3.75	5.55	-0400	4
2.5	4.3	↓ -0300	3
1.25	3.05	51022-0200	2
B	A	ENG. NO.	極致 CKT.NO.

材料 MATERIAL	ポリエステル、UL94V-0 POLYESTER,UL94V-0
仕上げ FINISH	—
適用電線範囲 WIRE RANGE	—
被覆外径 INS. RANGE	—

REVISED	EC NO: J2016-0794	2016/02/01
DRWN:KOMORI	2016/02/03	
CHKD:SAKIYAMA		
APPR:KASAKAWA	2016/03/01	
DESCRIPTION	GENERAL TOLERANCES (UNLESS SPECIFIED)	
REV	10 UNDER	±0.2
	10 OVER 30 UNDER	±0.25
	30 OVER	±0.3
	ANGULAR	±3 °
	DRAFT WHERE APPLICABLE MUST REMAIN WITHIN DIMENSIONS	

DIMENSION STYLE		SCALE	DESIGN UNITS
MM ONLY		10:1	METRIC
DRAWN BY	DATE	TITLE	
H. IJIMA	1996/05/29	1.25 BOARD IN CONN HSG	
CHECKED BY	DATE		
M. FUKUSHIMA	1996/05/29		
APPROVED BY	DATE		
M. ENOMOTO	1996/05/29		
MATERIAL NO.	DOCUMENT NO.	SHEET NO.	
	SD-51022-001	1 OF 1	
SIZE	THIS DRAWING CONTAINS INFORMATION THAT IS PROPRIETARY TO MOLEX INCORPORATED AND SHOULD NOT BE USED WITHOUT WRITTEN PERMISSION		
A3			

THIRD ANGLE PROJECTION	
MOLEX INCORPORATED	
SEE CHART	