



Chipsmall Limited consists of a professional team with an average of over 10 year of expertise in the distribution of electronic components. Based in Hongkong, we have already established firm and mutual-benefit business relationships with customers from,Europe,America and south Asia,supplying obsolete and hard-to-find components to meet their specific needs.

With the principle of “Quality Parts,Customers Priority,Honest Operation,and Considerate Service”,our business mainly focus on the distribution of electronic components. Line cards we deal with include Microchip,ALPS,ROHM,Xilinx,Pulse,ON,Everlight and Freescale. Main products comprise IC,Modules,Potentiometer,IC Socket,Relay,Connector.Our parts cover such applications as commercial,industrial, and automotives areas.

We are looking forward to setting up business relationship with you and hope to provide you with the best service and solution. Let us make a better world for our industry!



Contact us

Tel: +86-755-8981 8866 Fax: +86-755-8427 6832

Email & Skype: info@chipsmall.com Web: www.chipsmall.com

Address: A1208, Overseas Decoration Building, #122 Zhenhua RD., Futian, Shenzhen, China



10 9 8 7 6 5 4 3 2 1

F

E

D

C

B

A

F

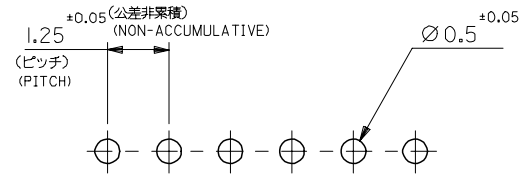
E

D

C

B

A

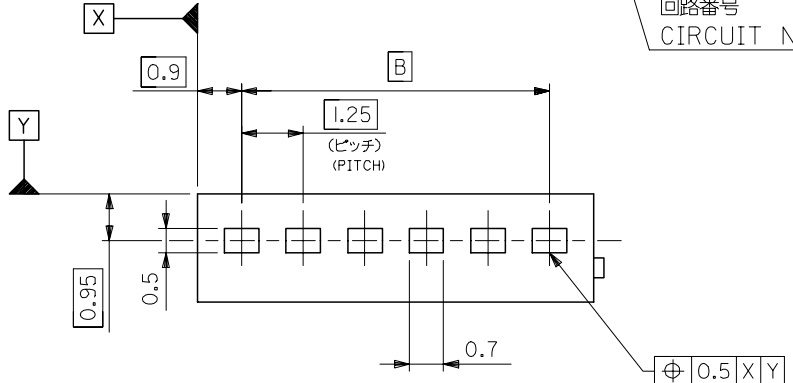
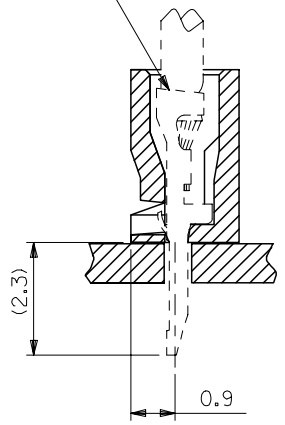
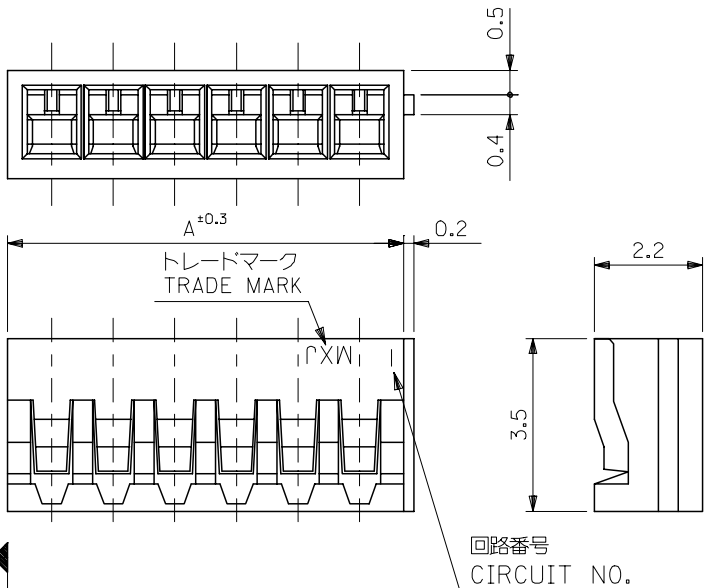


基板取付穴推奨寸法 (t=0.8)
RECOMMENDED P.C.BOARD HOLE DIM.(t=0.8)

適合ターミナル
APPLICABLE TERMINAL

注記
NOTE

- △ 適合ターミナル : 50061-8*00
50080-8*00
- △ APPLICABLE TERMINAL : 50061-8*00
50080-8*00



17.5	19.3	51022-1500	15
16.25	18.05	-1400	14
15	16.8	-1300	13
13.75	15.55	-1200	12
12.5	14.3	-1100	11
11.25	13.05	-1000	10
10	11.8	-0900	9
8.75	10.55	-0800	8
7.5	9.3	-0700	7
6.25	8.05	-0600	6
5	6.8	-0500	5
3.75	5.55	-0400	4
2.5	4.3	-0300	3
1.25	3.05	51022-0200	2
B	A	ENG. NO.	種数 CKT.NO.

材料 MATERIAL	ポリエステル, UL94V-0 POLYESTER, UL94V-0
仕上げ FINISH	-
適用電線範囲 WIRE RANGE	-
被覆外径 INS. RANGE	-

REVISED	2006/04/12
EC NO: J2006-2413	2006/04/05
DRWN: AOHYAGI	2006/04/06
CHKD: TANAKA	2006/04/06
APPR: NUKITA	2006/04/12

GENERAL TOLERANCES (UNLESS SPECIFIED)	
10 UNDER	±0.2
10 OVER 30 UNDER	±0.25
30 OVER	±0.3
ANGULAR	±3 °
DRAFT WHERE APPLICABLE MUST REMAIN WITHIN DIMENSIONS	

DIMENSION STYLE MM ONLY	
DRAWN BY	DATE
H. IJIMA	1996/05/29
CHECKED BY	DATE
M. FUKUSHIMA	1996/05/29
APPROVED BY	DATE
M. ENOMOTO	1996/05/29
MATERIAL NO.	
SEE CHART	
SIZE	A3

SCALE	10:1	DESIGN UNITS	METRIC	THIRD ANGLE PROJECTION
TITLE 1.25 BOARD IN CONN HSG				
MOLEX INCORPORATED				
DOCUMENT NO. SD-51022-001			SHEET NO. 1 OF 1	
THIS DRAWING CONTAINS INFORMATION THAT IS PROPRIETARY TO MOLEX INCORPORATED AND SHOULD NOT BE USED WITHOUT WRITTEN PERMISSION				