



Chipsmall Limited consists of a professional team with an average of over 10 year of expertise in the distribution of electronic components. Based in Hongkong, we have already established firm and mutual-benefit business relationships with customers from,Europe,America and south Asia,supplying obsolete and hard-to-find components to meet their specific needs.

With the principle of “Quality Parts,Customers Priority,Honest Operation,and Considerate Service”,our business mainly focus on the distribution of electronic components. Line cards we deal with include Microchip,ALPS,ROHM,Xilinx,Pulse,ON,Everlight and Freescale. Main products comprise IC,Modules,Potentiometer,IC Socket,Relay,Connector.Our parts cover such applications as commercial,industrial, and automotives areas.

We are looking forward to setting up business relationship with you and hope to provide you with the best service and solution. Let us make a better world for our industry!



Contact us

Tel: +86-755-8981 8866 Fax: +86-755-8427 6832

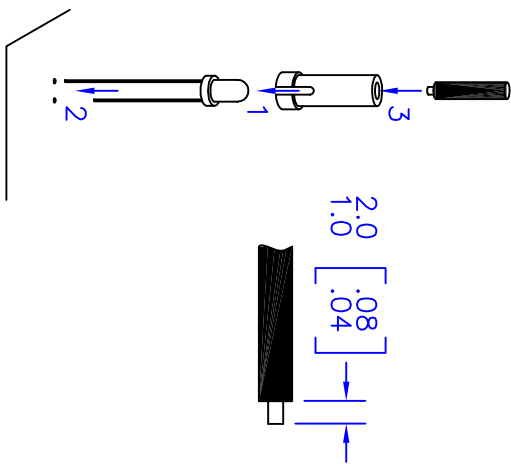
Email & Skype: info@chipsmall.com Web: www.chipsmall.com

Address: A1208, Overseas Decoration Building, #122 Zhenhua RD., Futian, Shenzhen, China



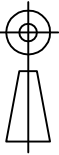
LIGHT PIPE

PREPARATION/INSTALLATION:



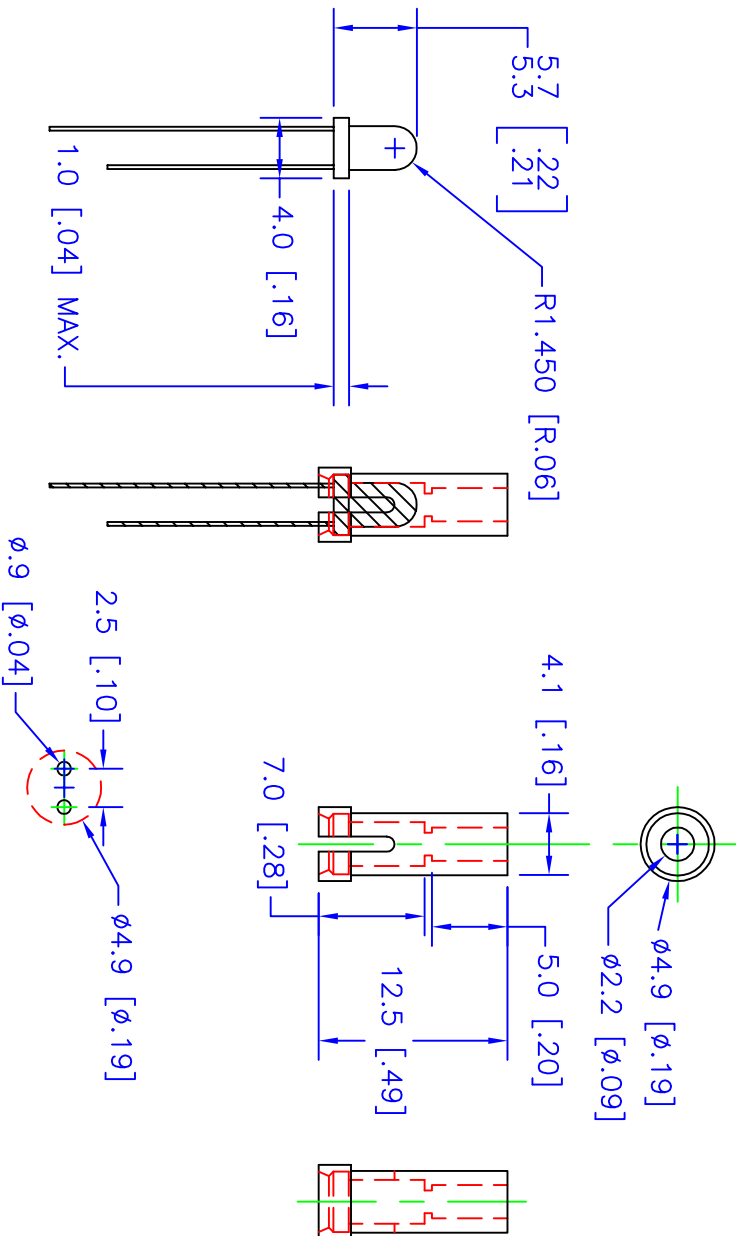
NOTES:

1. ROHS COMPLIANT
2. UL 94V-2 FLAMMABILITY RATING
3. -40°C TO 85°C OPERATING TEMPERATURE
4. SUITABLE FOR LIGHT PIPE WITH $\phi 2.2$ mm JACKET AND OPTICAL CORE NO GREATER THAN $\phi 1.5$ mm
5. DO NOT WAVE SOLDER WITH THIS DEVICE
6. FOR BEST RESULTS USE ONLY NARROW VIEWING ANGLE NON-DIFFUSED LEDS WITH OUTPUT POWER GREATER THAN 100mcd
7. NOT RECOMMENDED FOR DATA COMMUNICATIONS



METRIC

| REVISIONS | | ECO | DATE | DWN | APVD |
|-----------|--|------|----------|-----|------|
| REV | DESCRIPTION | | | | |
| C | REVISED STRIP LENGTH FROM 1.0 ϕ .05 | 0034 | 09/17/09 | BB | KS |



PART IS MADE OF BLACK NYLON.

| UNLESS OTHERWISE SPECIFIED | | PRODUCT | NAME | |
|------------------------------|-----------------------|---------------------|--------------------------------|---------------------|
| DIMENSIONS MILLIMETERS [IN.] | | LIGHT PIPE | INDUSTRIAL FIBER OPTICS | |
| TOLERANCES | | MATERIAL NYLON 66 | TEMPE, AZ 85281 | |
| 0 PLC: ± 1 | SURFACE 3 $\sqrt{2}$ | FINISH NONE | MOUNT, VERTICAL LED | |
| 1 PLC: ± 0.25 | TEXTURE: \checkmark | DRAWN BY B. BIDWELL | TO LIGHT PIPE | |
| 2 PLC: ± 0.127 | | DATE 11/12/08 | SIZE SCALE 2:1 | PART NUMBER 51 0320 |
| 3 PLC: ± 0.25 | | CHECKED BY K. STOTZ | DO NOT SCALE DRAWING | REV C |
| 4 PLC: ± 0.13 | | DATE 09/17/09 | | SHEET 1 OF 1 |
| ANGLE: $\pm 1/2$ | | | | |