



Chipsmall Limited consists of a professional team with an average of over 10 year of expertise in the distribution of electronic components. Based in Hongkong, we have already established firm and mutual-benefit business relationships with customers from,Europe,America and south Asia,supplying obsolete and hard-to-find components to meet their specific needs.

With the principle of “Quality Parts,Customers Priority,Honest Operation,and Considerate Service”,our business mainly focus on the distribution of electronic components. Line cards we deal with include Microchip,ALPS,ROHM,Xilinx,Pulse,ON,Everlight and Freescale. Main products comprise IC,Modules,Potentiometer,IC Socket,Relay,Connector.Our parts cover such applications as commercial,industrial, and automotives areas.

We are looking forward to setting up business relationship with you and hope to provide you with the best service and solution. Let us make a better world for our industry!



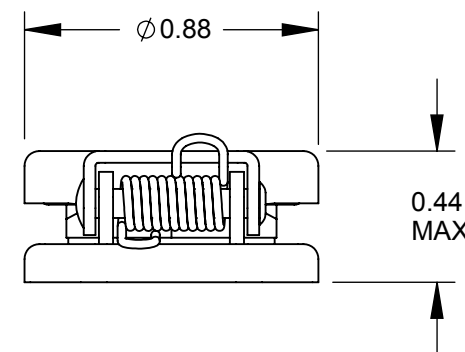
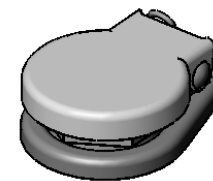
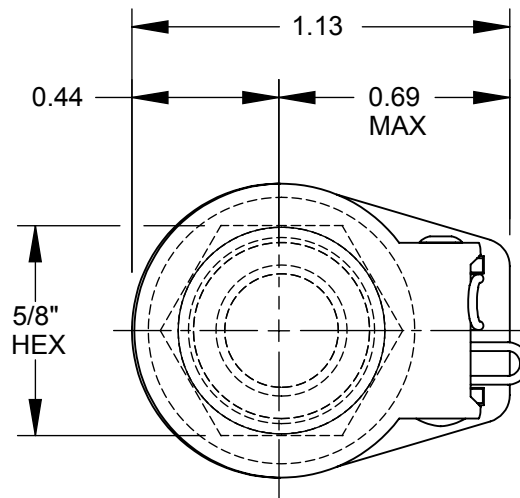
## Contact us

Tel: +86-755-8981 8866 Fax: +86-755-8427 6832

Email & Skype: info@chipsmall.com Web: www.chipsmall.com

Address: A1208, Overseas Decoration Building, #122 Zhenhua RD., Futian, Shenzhen, China





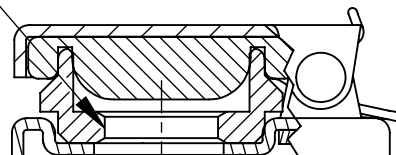
**NOTES:**

1. MATERIALS:

COVER & BASE - STEEL  
 FINISH MIL-F-14072 (SIG. - C)  
 BASIC FINISH #P-211 TYPE I EXPOSURE  
 FINAL FINISH PER TT-E-529 ENAMEL  
 SYNTHETIC SEMI-GLOSS  
 DARK OLIVE DRAB 24087 - A2

GASKET - SYNTHETIC RUBBER  
 TORSION SPRING - STAINLESS STEEL  
 AXLE - COPPER ALLOY, NICKEL PLATED  
 NUT - COPPER ALLOY, NICKEL PLATED

3/8-32 UNEF-2B  
 THREAD



Ø0.386  
 REF

2. HEX NUT SHIPPED UNASSEMBLED

3. THIS PRODUCT IS RoHS COMPLIANT.

**CUSTOMER DRAWING**

THIS DRAWING DESCRIBES A DESIGN CONSIDERED PROPRIETARY IN NATURE, DEVELOPED AND MANUFACTURED BY SWITCHCRAFT INC. AND IS RELEASED ON A CONFIDENTIAL BASIS FOR IDENTIFICATION PURPOSES ONLY.

UNLESS OTHERWISE SPECIFIED

- 1. ALL DIMENSIONS IN INCHES
- TWO PLACE DECIMALS ±0.02
- THREE PLACE DECIMALS ±0.005

SIZE	WIDTH	MULT	LBS/M	TEMPER
FINISH			MATERIAL	
SPEC No.			SPEC No.	
FIRST USED ON		SCALE 1.75:1		
DATE DRAWN	BY	CHKD	APVD	
9-19-06	RF	RF	TJK	
		9-19-06	9-19-07	
NAME			PART No.	REV
JAX COVER, RoHS			510X	B
			SHEET 1 OF 1	

REV	ECO NUMBER	DATE	BY	APVD
B	26771	05/13/11	JEB	TJK
A	25429	9-19-07	RF	TJK
REVISIONS				

DO NOT SCALE DRAWING

SolidWorks CAD File

