



Chipsmall Limited consists of a professional team with an average of over 10 year of expertise in the distribution of electronic components. Based in Hongkong, we have already established firm and mutual-benefit business relationships with customers from,Europe,America and south Asia,supplying obsolete and hard-to-find components to meet their specific needs.

With the principle of “Quality Parts,Customers Priority,Honest Operation,and Considerate Service”,our business mainly focus on the distribution of electronic components. Line cards we deal with include Microchip,ALPS,ROHM,Xilinx,Pulse,ON,Everlight and Freescale. Main products comprise IC,Modules,Potentiometer,IC Socket,Relay,Connector.Our parts cover such applications as commercial,industrial, and automotives areas.

We are looking forward to setting up business relationship with you and hope to provide you with the best service and solution. Let us make a better world for our industry!



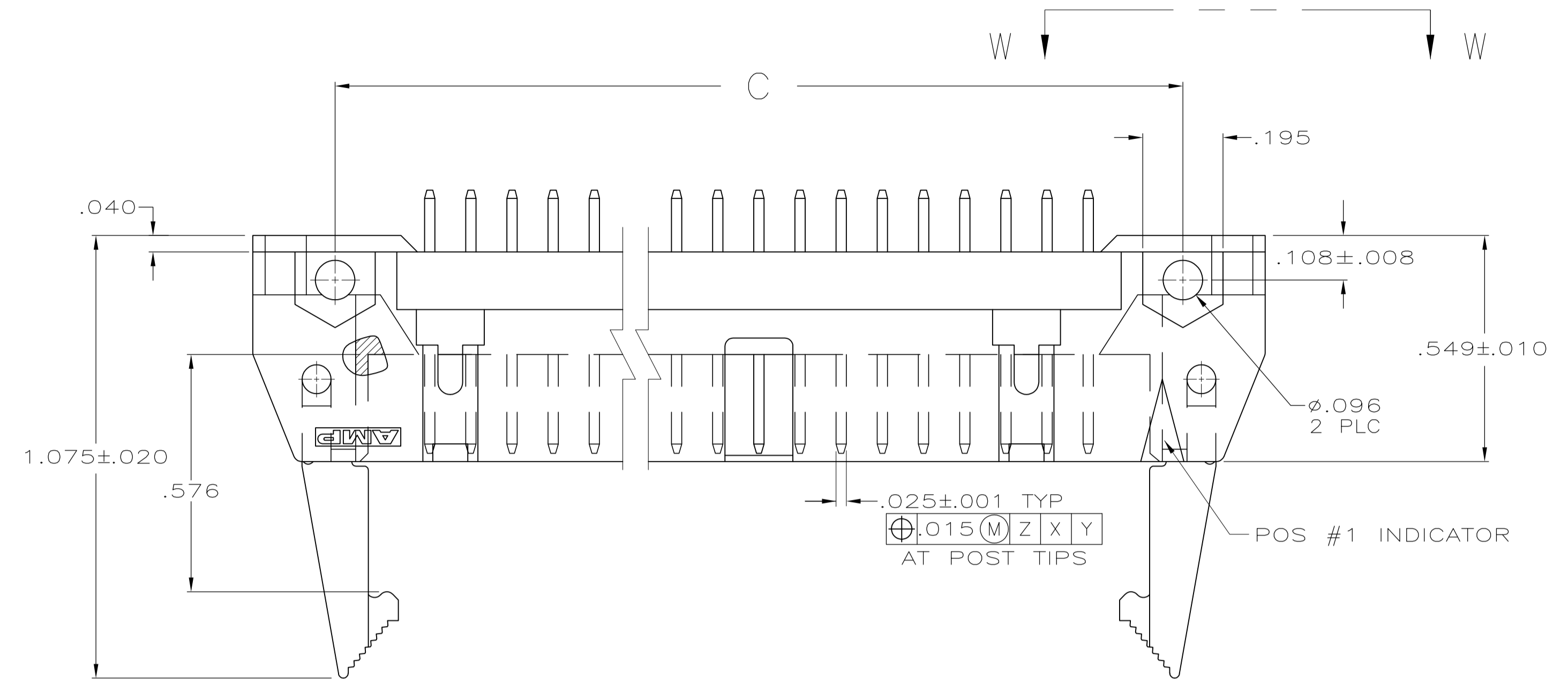
Contact us

Tel: +86-755-8981 8866 Fax: +86-755-8427 6832

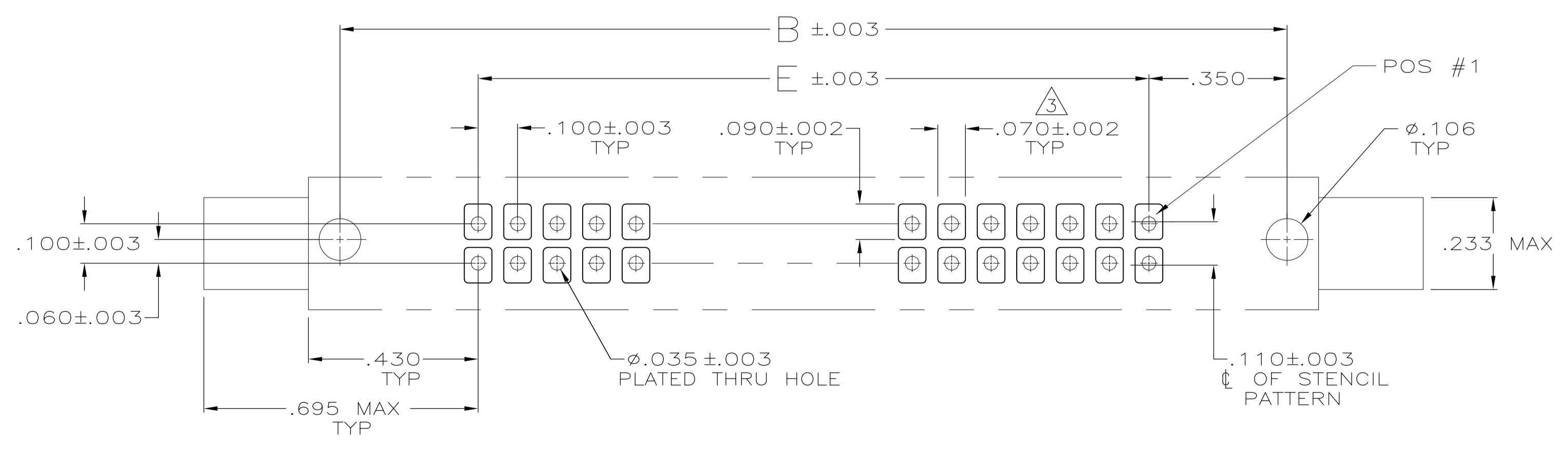
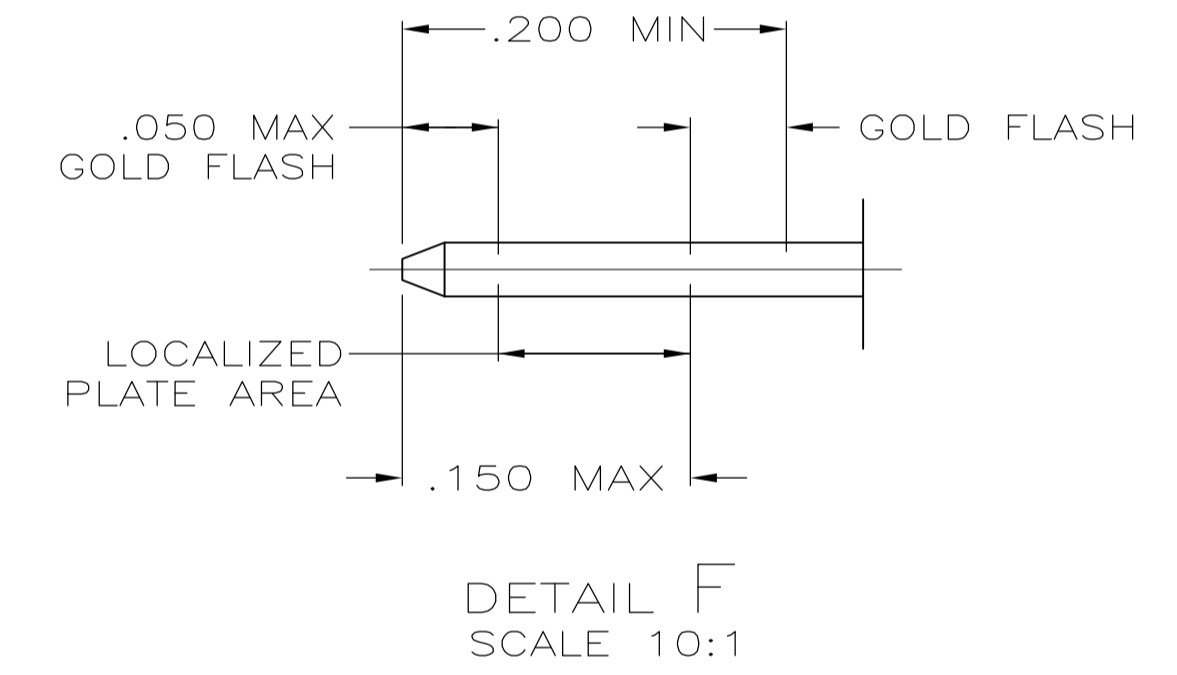
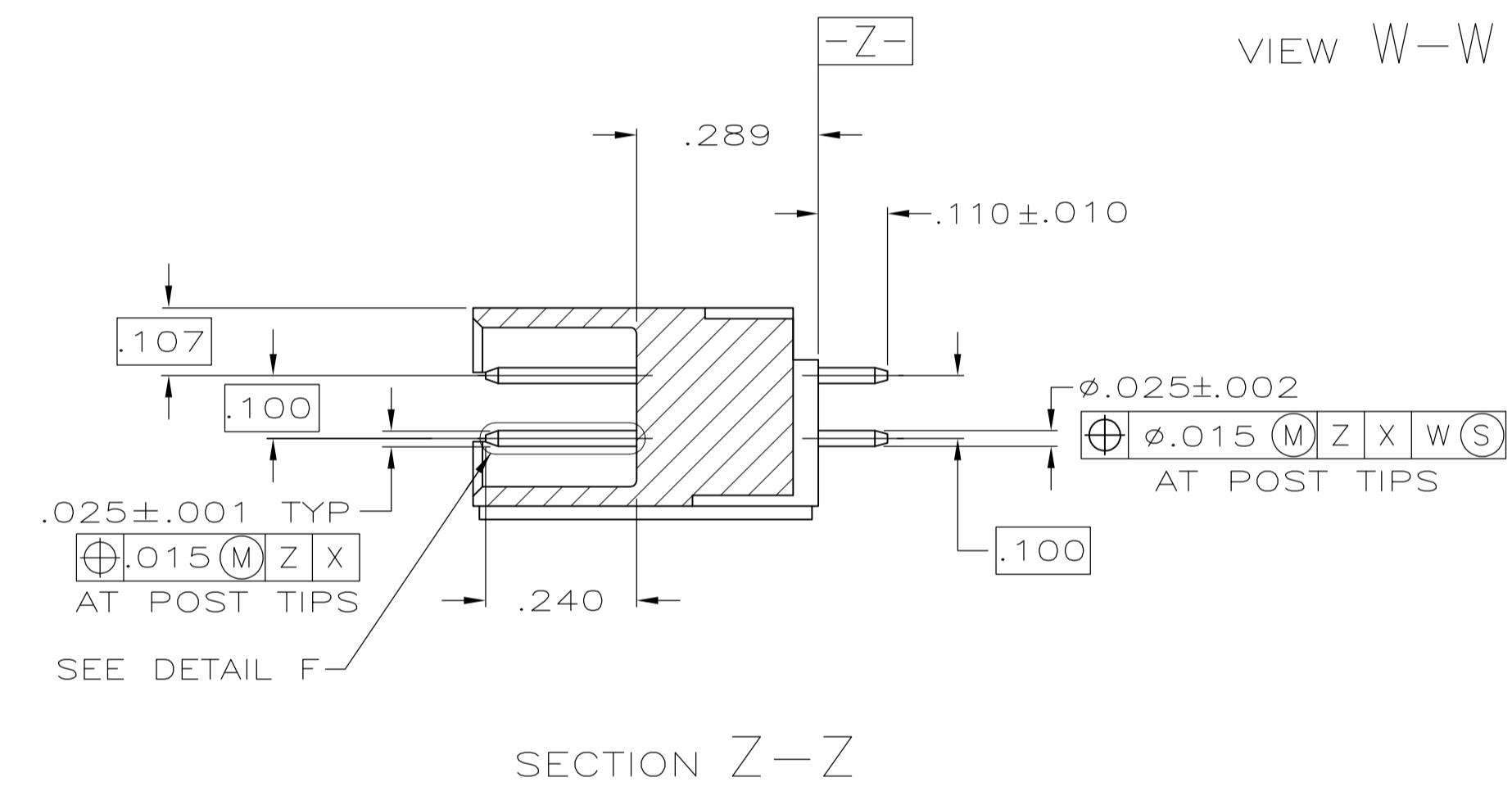
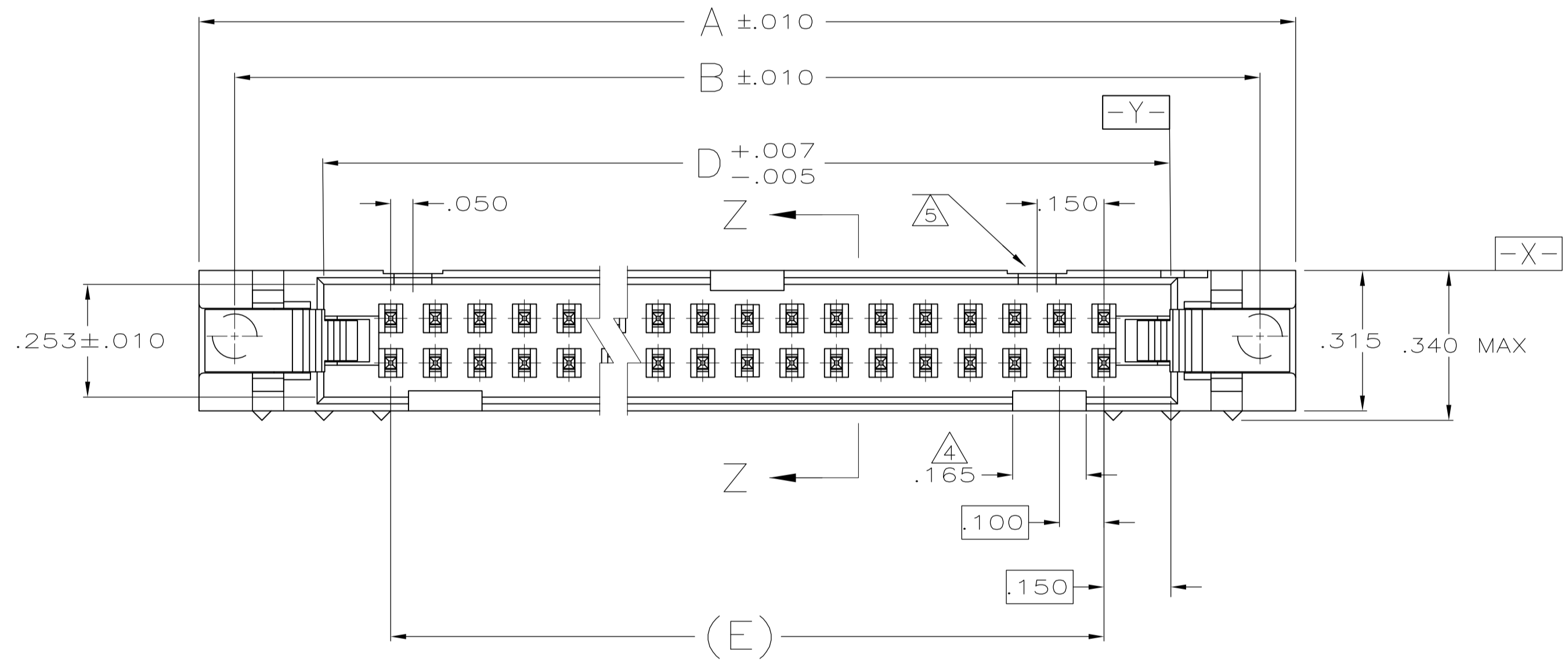
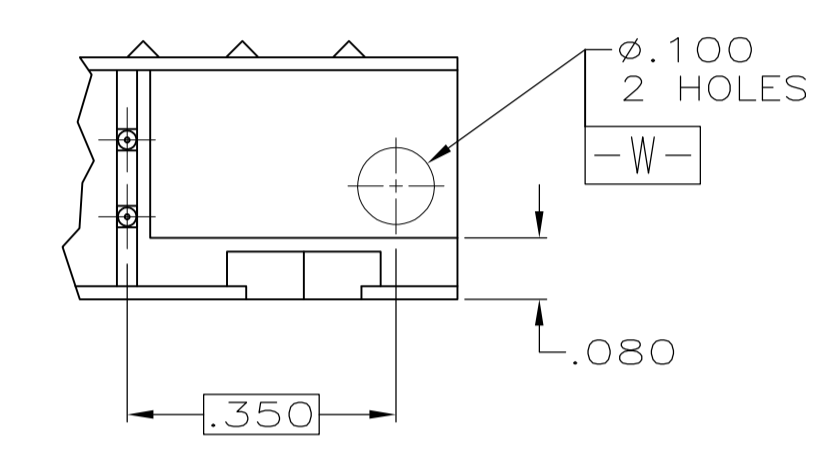
Email & Skype: info@chipsmall.com Web: www.chipsmall.com

Address: A1208, Overseas Decoration Building, #122 Zhenhua RD., Futian, Shenzhen, China





- ⚠️ MOLDED PARTS: FLAME RETARDANT PCT, UL94V-0 RATED, COLOR RED.
POSTS: BRASS OR PHOS BRONZE.
- ⚠️ POSTS: GOLD FLASH OVER PALLADIUM-NICKEL PLATE, .000030 MIN TOTAL ON THE LOCALIZED PLATE AREA, .000100 MIN TIN PLATE ON THE SOLDER-TAIL, .000050 MIN NICKEL UNDERPLATE ON THE ENTIRE POST.
-OR-
.000030 MIN GOLD PLATE ON THE LOCALIZED PLATE AREA, .000100 MIN TIN PLATE ON THE SOLDER-TAIL, .000050 MIN NICKEL UNDERPLATE ON THE ENTIRE POST.
- ⚠️ RECOMMENDED STENCIL THICKNESS EQUALS .010
- ⚠️ FOR 10 POS.HEADER ONLY, ONE SLOT LOCATED AS SHOWN.
- ⚠️ NO SNAP-IN POLARIZING FEATURE ON THIS END FOR 10 & 14 POS HEADERS.



OBSOLETE	2.400	2.700	2.860	3.100	3.260	50	1-5111399-0
	1.600	1.900	2.060	2.300	2.460	34	5111399-8
	.900	1.200	1.360	1.600	1.760	20	5111399-4
	.700	1.000	1.160	1.400	1.560	16	5111399-3
	.600	.900	1.060	1.300	1.460	14	5111399-2
.400	.700	.860	1.100	1.260	10	5111399-1	
	E	D	C	B	A	NO OF POSN	PART NO

THIS DRAWING IS A CONTROLLED DOCUMENT.

DIMENSIONS: mm (INCHES)	TOLERANCES UNLESS OTHERWISE SPECIFIED:	DIN G. ATTADIA - DOCKS 01-11-05	CHK S. BOLASH 01-11-05	APVD M. WALMSLEY 01-11-05	NAME	Tyco Electronics Corporation Harrisburg, PA 17105-3608	
0 PLC ± -	1 PLC ± -	2 PLC ± -	3 PLC ± .005	4 PLC ± -	ANGLES ± ° 30'	ASSEMBLY, UNIVERSAL HEADER, .025 SQ POSTS, VERTICAL, W/ LATCHES, .062 PCB, REFLOW SOLDERABLE, AMP-LATCH	
MATERIAL	FINISH	SIZE	CODE	DRAWING NO	RESTRICTED TO	WEIGHT	
1	2	A1	00779	5111399	—	—	
CUSTOMER DRAWING		SCALE	4:1	SHEET	1 of 1	REV	C