



Chipsmall Limited consists of a professional team with an average of over 10 year of expertise in the distribution of electronic components. Based in Hongkong, we have already established firm and mutual-benefit business relationships with customers from,Europe,America and south Asia,supplying obsolete and hard-to-find components to meet their specific needs.

With the principle of “Quality Parts,Customers Priority,Honest Operation,and Considerate Service”,our business mainly focus on the distribution of electronic components. Line cards we deal with include Microchip,ALPS,ROHM,Xilinx,Pulse,ON,Everlight and Freescale. Main products comprise IC,Modules,Potentiometer,IC Socket,Relay,Connector.Our parts cover such applications as commercial,industrial, and automotives areas.

We are looking forward to setting up business relationship with you and hope to provide you with the best service and solution. Let us make a better world for our industry!



Contact us

Tel: +86-755-8981 8866 Fax: +86-755-8427 6832

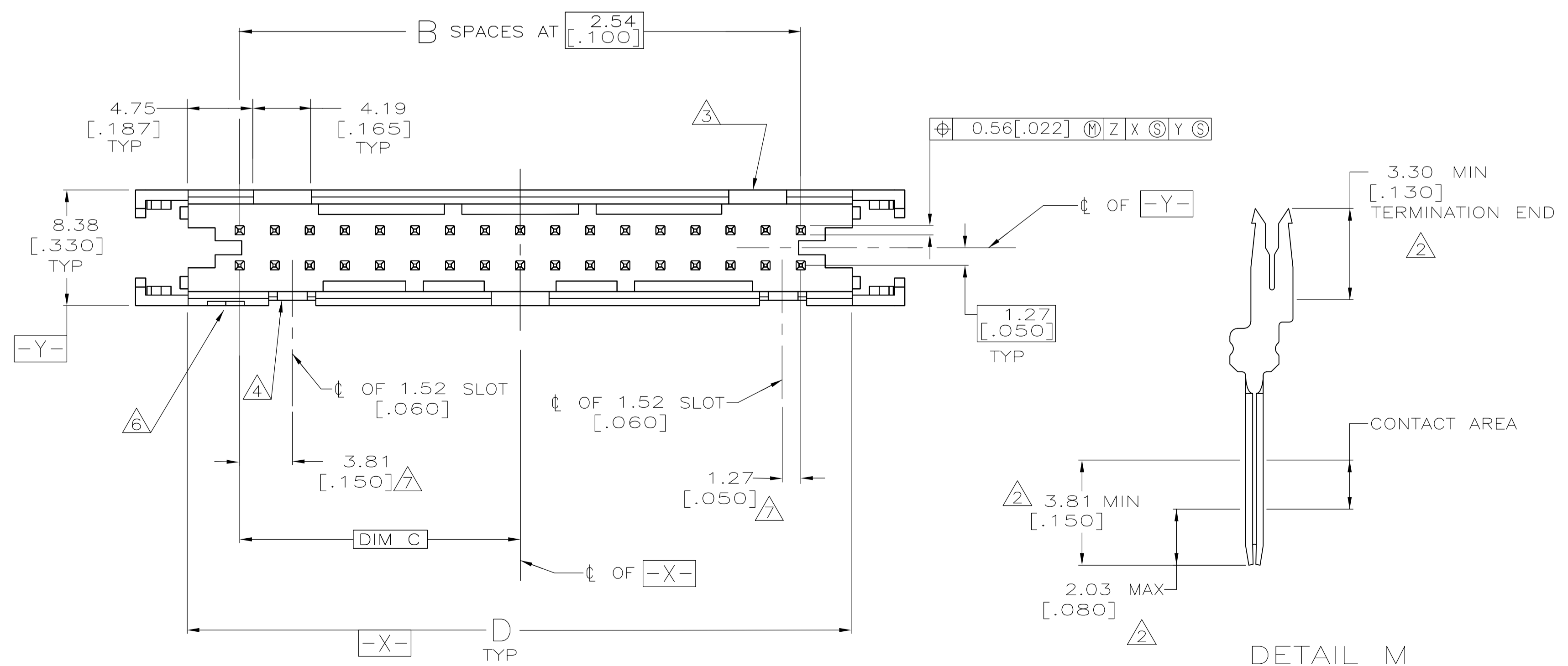
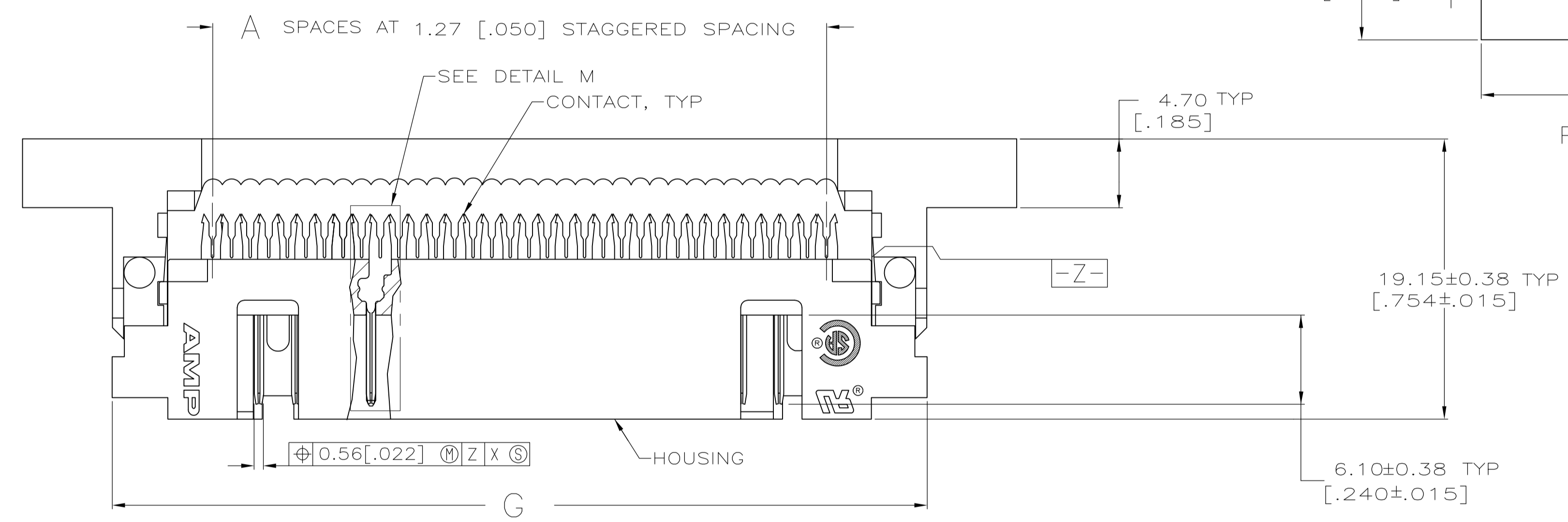
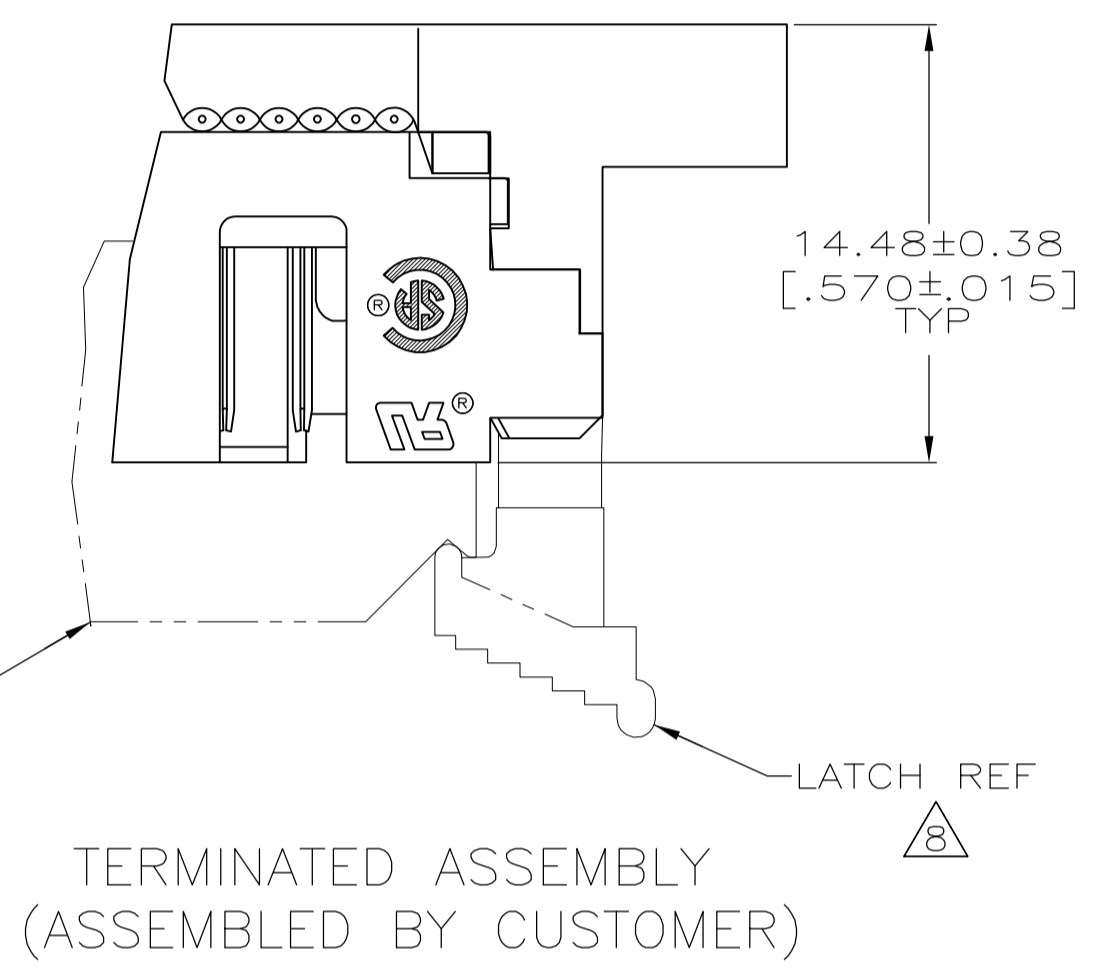
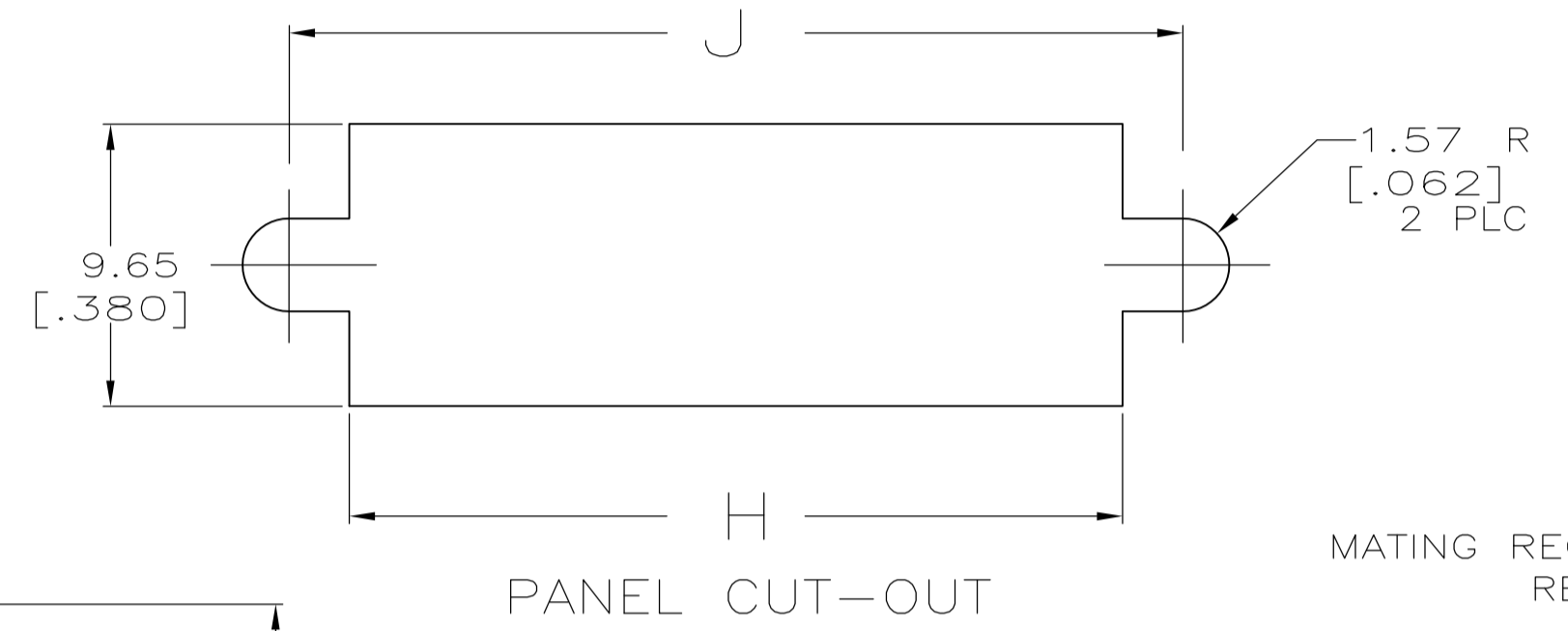
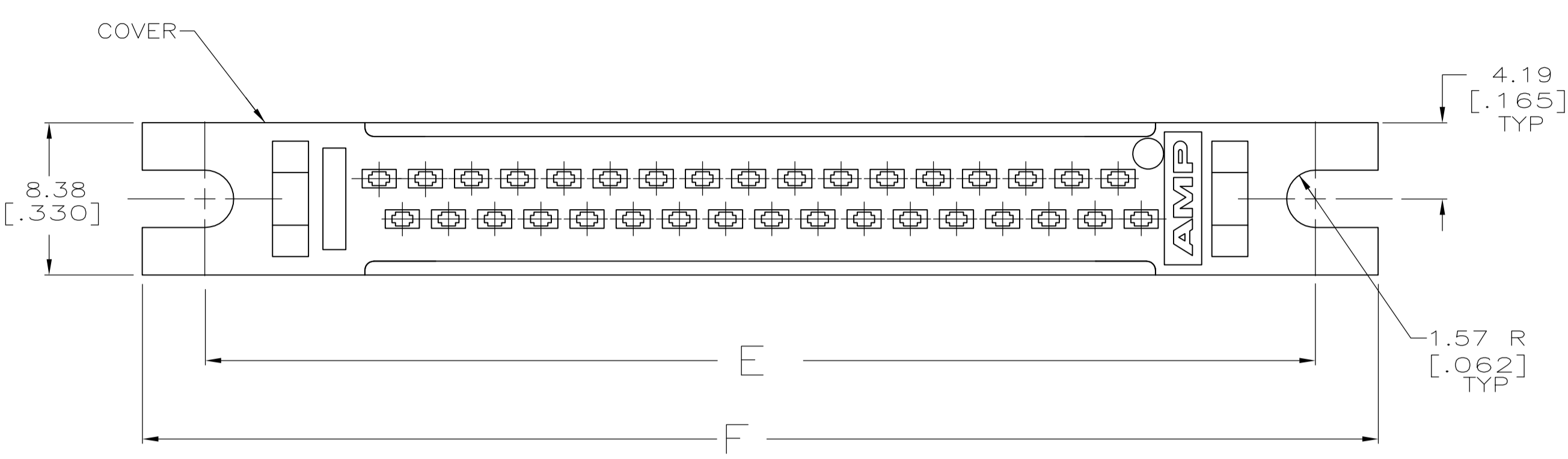
Email & Skype: info@chipsmall.com Web: www.chipsmall.com

Address: A1208, Overseas Decoration Building, #122 Zhenhua RD., Futian, Shenzhen, China



LOC		DIST		REVISIONS			
GP	00	P	LTR	DESCRIPTION	DATE	DMN	APVD
D				REVISED PER ECO-11-010351	10AUG2011	CJV	CWR

- 1 FLAME RETARDANT 94V-0 RATED THERMOPLASTIC; BLACK.
- 2 2.54µm [.000100] MIN MATTE TIN ON TERMINATION END, 0.76µm [.000030] MIN GOLD ON CONTACT AREA, ALL OVER 1.27µm [.000050] MIN NICKEL.
-OR-
GOLD FLASH OVER PALLADIUM-NICKEL 0.76µm [.000030] TOTAL ON CONTACT AREA, 2.54µm [.000100] MIN MATTE TIN ON TERMINATION END, ALL OVER 1.27µm [.000050] MIN NICKEL.
- 3 NO SLOT ON THIS END FOR 10 POSITION HOUSINGS.
- 4 NO SLOT FOR SNAP-IN POLARIZER ON THIS END FOR 10 AND 14 POSITION HOUSINGS.
- 5 FOR MILITARY POLARIZATION, ORDER SNAP-IN POLARIZER 499991-2 (BULK PACK 50)
- 6 POLARIZER POSITION NO 1 INDICATOR.
- 7 COORDINATE DIMENSION APPLIES FROM CENTER OF ACTUAL FEATURE.
- 8 FOR LATCHES ORDER 111451, 2 PER ASSEMBLY.
- 9 PHOSPHOR BRONZE PER QQ-B-750.
- 10 OBSOLETE.



99.16	95.05	93.78	106.07	99.16	86.21	39.37	31	63	64	1-5111448-3
[3.904]	[3.742]	[3.692]	[4.176]	[3.904]	[3.394]	[1.550]				
94.08	89.97	88.70	100.99	94.08	81.13	36.83	29	59	60	1-5111448-2
[3.704]	[3.542]	[3.492]	[3.976]	[3.704]	[3.194]	[1.450]				
81.38	77.27	68.38	88.29	81.38	68.43	30.48	24	49	50	1-5111448-1
[3.204]	[3.042]	[2.992]	[3.476]	[3.204]	[2.694]	[1.200]				
73.76	69.65	68.38	80.67	73.76	60.81	26.67	21	43	44	1-5111448-0
[2.904]	[2.742]	[2.692]	[3.176]	[2.904]	[2.394]	[1.050]				
68.68	64.57	63.30	75.59	68.68	55.73	24.13	19	39	40	5111448-9
[2.704]	[2.542]	[2.492]	[2.976]	[2.704]	[2.194]	[.950]				
61.06	56.95	55.68	67.97	61.06	48.11	20.32	16	33	34	5111448-8
[2.404]	[2.242]	[2.192]	[2.676]	[2.404]	[1.894]	[.800]				
55.98	51.87	50.60	62.89	55.98	43.03	17.78	14	29	30	5111448-7
[2.204]	[2.042]	[1.992]	[2.476]	[2.204]	[1.694]	[.700]				
50.90	46.79	45.52	57.81	50.90	37.95	15.24	12	25	26	5111448-6
[2.004]	[1.842]	[1.792]	[2.276]	[2.004]	[1.494]	[.600]				
48.36	44.25	42.98	55.27	48.36	35.41	13.97	11	23	24	5111448-5
[1.904]	[1.742]	[1.692]	[2.176]	[1.904]	[1.394]	[.550]				
43.28	39.17	37.90	50.19	43.28	30.33	11.43	9	19	20	5111448-4
[1.704]	[1.542]	[1.492]	[1.976]	[1.704]	[1.194]	[.450]				
38.20	34.09	32.82	45.11	38.20	25.25	8.89	7	15	16	5111448-3
[1.504]	[1.342]	[1.292]	[1.776]	[1.504]	[.994]	[.350]				
35.66	31.55	30.28	42.57	35.66	22.71	7.62	6	13	14	5111448-2
[1.404]	[1.242]	[1.192]	[1.676]	[1.404]	[.894]	[.300]				
30.58	26.47	25.20	37.49	30.58	17.63	5.08	4	9	10	5111448-1
[1.204]	[1.042]	[.992]	[1.476]	[1.204]	[.694]	[.200]				
J	H	G	F	E	D	C	B	A	NO OF POSN	PART NUMBER

COVER NOT SHOWN IN THIS VIEW FOR CLARITY

DETAIL M
SCALE 8:1
TYPICAL

THIS DRAWING IS A CONTROLLED DOCUMENT.

DIMENSIONS: mm [INCHES]	TOLERANCES UNLESS OTHERWISE SPECIFIED:	DIN B MCMASTER 22JULY04	APPROVED: M. WALSLEY 22JULY04	NAME: UNIVERSAL I/O PIN CONNECTOR, WITH SLOTTED MOUNTING EARS, AMP-LATCH
0 PLC ± .01	1 PLC ± .015	2 PLC ± .02	3 PLC ± .03	4 PLC ± .05
ANGLES ± .5				
MATERIAL: 1	FINISH: 2	WEIGHT: -	SIZE: A1	SCALE: 4:1
CUSTOMER DRAWING		DRAWING NO: 00779	DRAWING NO: 5111448	SHEET 1 OF 1

STE TE Connectivity