



Chipsmall Limited consists of a professional team with an average of over 10 year of expertise in the distribution of electronic components. Based in Hongkong, we have already established firm and mutual-benefit business relationships with customers from,Europe,America and south Asia,supplying obsolete and hard-to-find components to meet their specific needs.

With the principle of “Quality Parts,Customers Priority,Honest Operation,and Considerate Service”,our business mainly focus on the distribution of electronic components. Line cards we deal with include Microchip,ALPS,ROHM,Xilinx,Pulse,ON,Everlight and Freescale. Main products comprise IC,Modules,Potentiometer,IC Socket,Relay,Connector.Our parts cover such applications as commercial,industrial, and automotives areas.

We are looking forward to setting up business relationship with you and hope to provide you with the best service and solution. Let us make a better world for our industry!



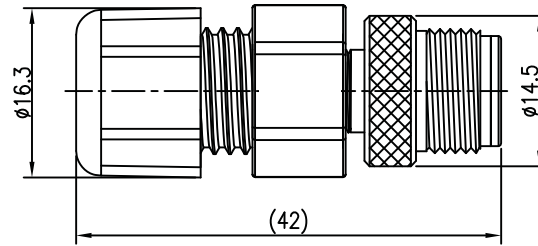
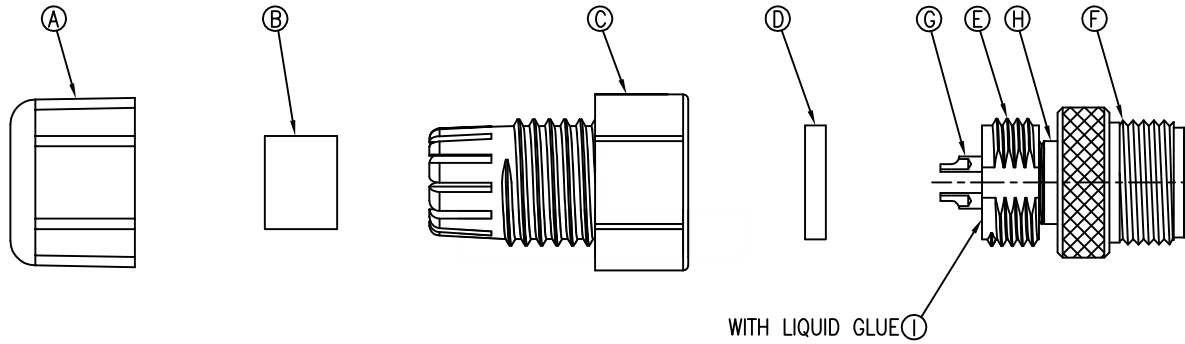
Contact us

Tel: +86-755-8981 8866 Fax: +86-755-8427 6832

Email & Skype: info@chipsmall.com Web: www.chipsmall.com

Address: A1208, Overseas Decoration Building, #122 Zhenhua RD., Futian, Shenzhen, China





NOTES:

1. ELECTRICAL CHARACTERISTICS:
 - 1-1 CONTACT RESISTANCE: 30 mOhm Max.
 - 1-2 INSULATION RESISTANCE: 100 MOhm Min. at 500VDC.
 - 1-3 BREAKDOWN VOLTAGE: 500 VAC PER MINUTE.
2. MECHANICAL CHARACTERISTICS:
 - 2-1 TIGHTENING TORQUES: 1.0~1.2Nm(8.85~10.62lbf.in.).
3. ENVIRONMENTAL:
 - 3-1 OPERATING TEMPERATURE: -40°C TO +105°C.
 - 3-2 SEALING REQUIREMENTS: IP68.

NO	DESCRIPTION	QTY	MATERIAL	PLATING & COLOR
I	LIQUID GLUE	1	N/A	BLACK
H	BODY	1	PA66+GF	BLACK
G	MALE PIN	*	BRASS	6u" GOLD PLATING OVER NICKEL PLATING
F	SCREW NUT	1	BRASS	NICKEL PLATING
E	SCREW NUT	1	PA66+GF	BLACK
D	GASKET	1	SILICONE	BLACK
C	CLAMP RING	1	PC	BLACK
B	SEAL	1	EPDM	BLACK
A	SEALING NUT	1	PC	BLACK

UNLESS OTHERWISE SPECIFIED TOLERANCES

DECIMALS:	ANGLES:
X :±0.5	X :±2°
X.X :±0.3	X.X :±1°
X.XX :±0.2	

CnC Tech, LLC

TITLE	M12 Extension Connector, IP68 - Male Code A, 180°, for JAWG24/22 *5C			
DWN	Vicky	PART NO.	511M-3033-W05	
CHKD	Shawn	SCALE	2:1	UNIT: mm
APVD	Quan	SIZE:	A3	SHEET: 1 OF 1
		REV:	A	

CUSTOMER COPY