



Chipsmall Limited consists of a professional team with an average of over 10 year of expertise in the distribution of electronic components. Based in Hongkong, we have already established firm and mutual-benefit business relationships with customers from,Europe,America and south Asia,supplying obsolete and hard-to-find components to meet their specific needs.

With the principle of “Quality Parts,Customers Priority,Honest Operation,and Considerate Service”,our business mainly focus on the distribution of electronic components. Line cards we deal with include Microchip,ALPS,ROHM,Xilinx,Pulse,ON,Everlight and Freescale. Main products comprise IC,Modules,Potentiometer,IC Socket,Relay,Connector.Our parts cover such applications as commercial,industrial, and automotives areas.

We are looking forward to setting up business relationship with you and hope to provide you with the best service and solution. Let us make a better world for our industry!



Contact us

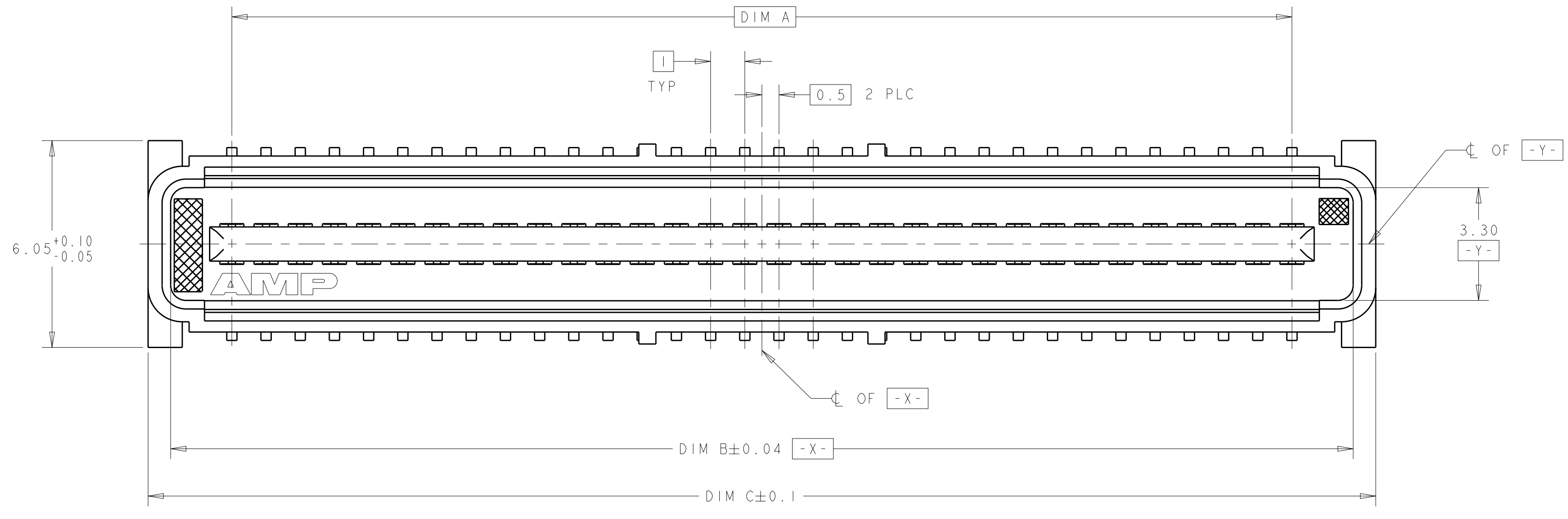
Tel: +86-755-8981 8866 Fax: +86-755-8427 6832

Email & Skype: info@chipsmall.com Web: www.chipsmall.com

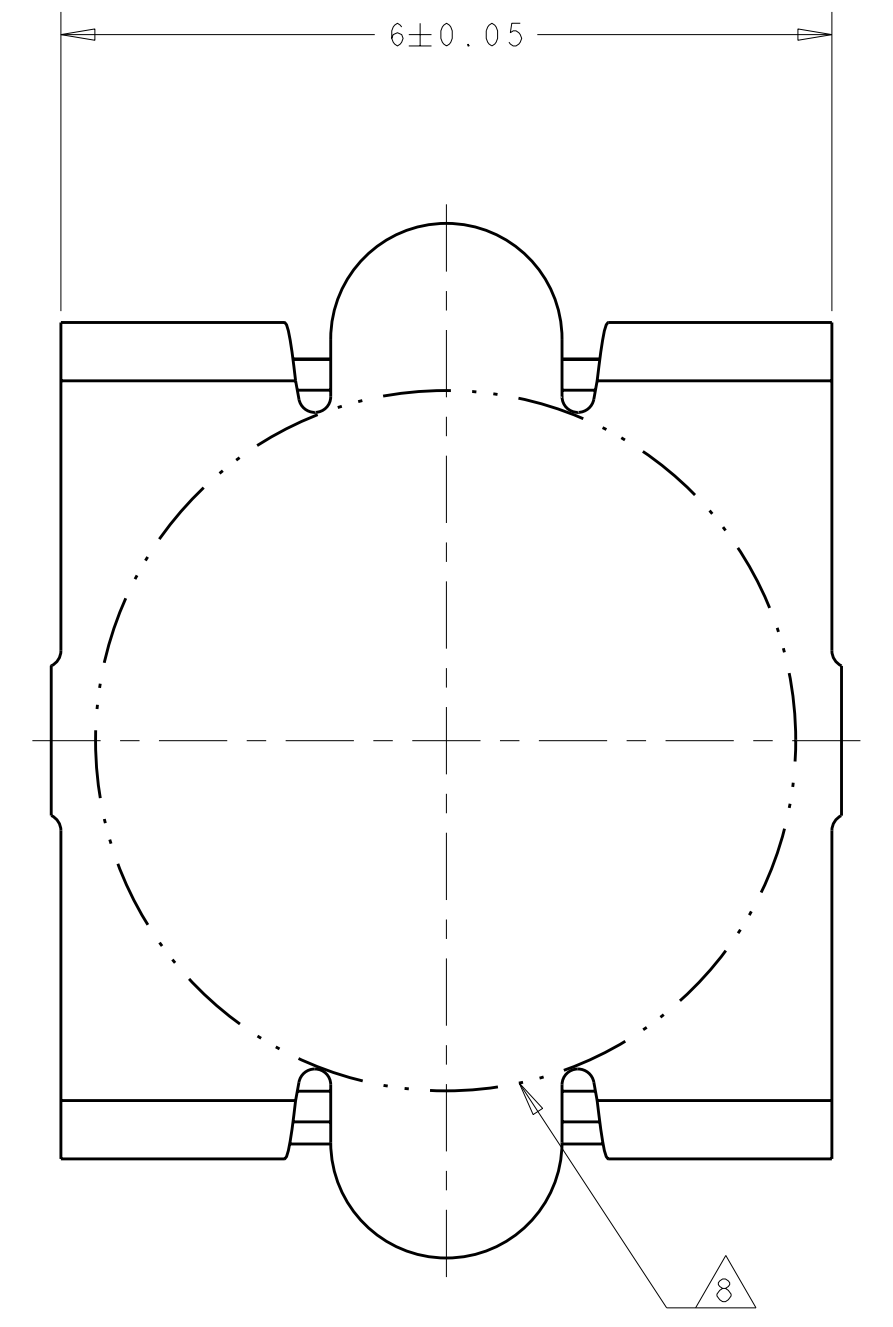
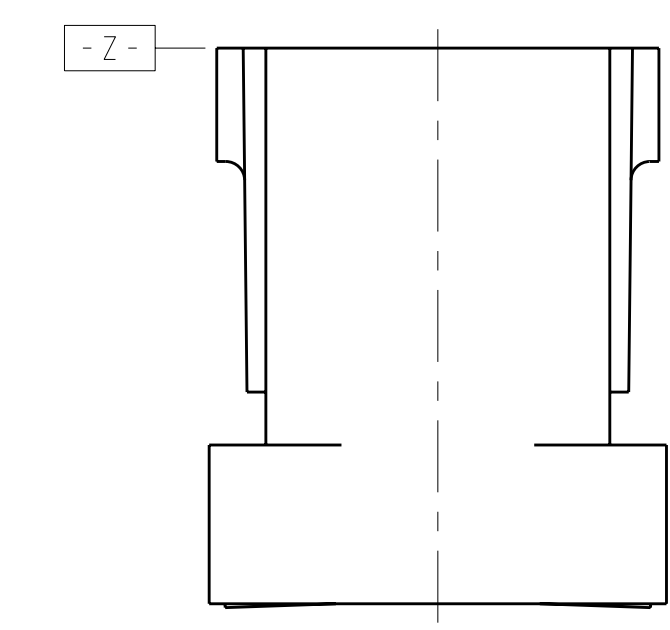
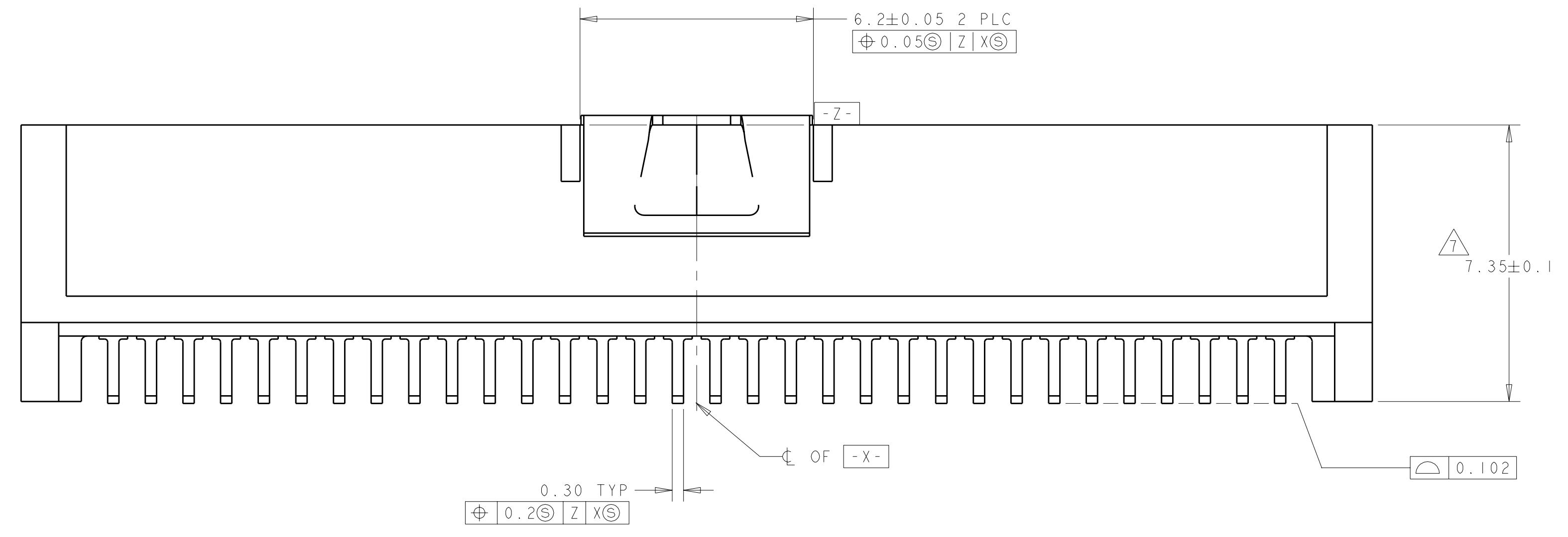
Address: A1208, Overseas Decoration Building, #122 Zhenhua RD., Futian, Shenzhen, China



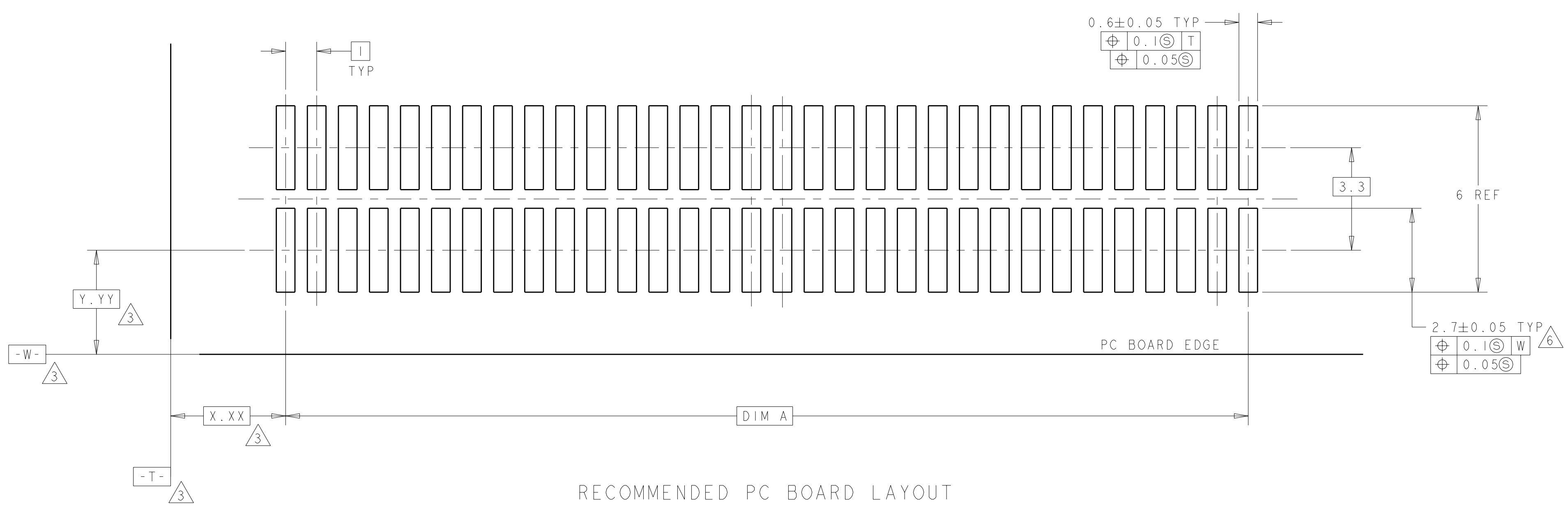
LOC	DIST	REV	DATE	BY	APP'D
AD	00	0	30SEP2004	BC	RW
		A	10JUL2006	DH	DB



- 1. HOUSING MATERIAL: LIQUID CRYSTAL POLYMER COLOR: BLACK. CONTACT MATERIAL: PHOSPHOR BRONZE.
- 2. CONTACT FINISH: NICKEL UNDERPLATE ALL OVER, MATING SURFACES PLATED TO MEET PLI PERFORMANCE REQUIREMENTS OF INDUSTRY SPECIFICATION EIA-700AAAB, SOLDER TAILS PLATED TIN.
- 3. DATUM LOCATIONS AND BASIC DIMENSIONS TO BE ESTABLISHED BY THE CUSTOMER. CONSULT AMP ENGINEERING WHEN PLACING MULTIPLE CONNECTORS ON A PC BOARD.
- 4. PACKAGED IN TAPE ON REEL PER EIA-481.
- 5. VACUUM COVER DESIGNED FOR 4mm DIA. NOZZLE. VACUUM COVER TO BE REMOVED AFTER SOLDERING. VACUUM COVER REMOVED FROM SOME VIEWS FOR DIMENSIONAL CLARITY.
- 6. SHORTER SOLDER LANDS MAY BE USED PER EIA 700AAAB, HOWEVER 2.7 LENGTH ASSURES OPTIMUM SOLDER FILLET REGARDLESS OF MANUFACTURER OF CONNECTOR.
- 7. REFERRED TO AS DIM N IN EIA 700AAAB SPECIFICATION.
- 8. 5.5 MIN DIAMETER TARGET AREA FOR VACUUM PICK-UP.
- 9. CONTACT FINISH: 0.00381 MINIMUM MATTE TIN PER ASTM B 545 ON SOLDER AREA, 0.00127 MINIMUM GOLD PER ASTM B 488 ON MATING AREA, BOTH OVER 0.00127 MINIMUM NICKEL PER SAE-AMS-QQ-N-290 ON ENTIRE CONTACT.



VACUUM COVER



FINISH	DIM C	DIM B	DIM A	MATING CONNECTOR	STACK HGTS	POS	PART NO
9	45.9	44.58	41	5120531-2	14	84	1-5120533-2
9	45.9	44.58	41	5120529-2	11	84	1-5120533-2
9	45.9	44.58	41	5120528-2	9	84	1-5120533-2
9	35.9	34.58	31	5120531-1	14	64	1-5120533-1
9	35.9	34.58	31	5120529-1	11	64	1-5120533-1
9	35.9	34.58	31	5120528-1	9	64	1-5120533-1
2	45.9	44.58	41	5120531-2	14	84	5120533-2
2	45.9	44.58	41	5120529-2	11	84	5120533-2
2	45.9	44.58	41	5120528-2	9	84	5120533-2
2	35.9	34.58	31	5120531-1	14	64	5120533-1
2	35.9	34.58	31	5120529-1	11	64	5120533-1
2	35.9	34.58	31	5120528-1	9	64	5120533-1

DIMENSIONS: mm TOLERANCES UNLESS OTHERWISE SPECIFIED: 9 PLC ± 5 PLC ±0.03 4 PLC ±0.003 ANGLES ±°30' FINISH SEE TABLE		DWN BY: CABBO CHK: R. WERTZ APP'D: R. WERTZ PRODUCT SPEC: 502-1079 APPLICATION SPEC: 114-25045 WEIGHT: - CUSTOMER DRAWING		30SEP04 30SEP04 30SEP04 NAME: R. WERTZ Tyco Electronics Harrisburg, PA 17105-3608 PLUG ASSY, W/COVER 1.0mm FH(IEEE) CONNECTOR SIZE: 17:1 SCALE: 17:1 SHEET: 1 OF 1 REV: A	
--	--	---	--	--	--