



Chipsmall Limited consists of a professional team with an average of over 10 year of expertise in the distribution of electronic components. Based in Hongkong, we have already established firm and mutual-benefit business relationships with customers from,Europe,America and south Asia,supplying obsolete and hard-to-find components to meet their specific needs.

With the principle of “Quality Parts,Customers Priority,Honest Operation,and Considerate Service”,our business mainly focus on the distribution of electronic components. Line cards we deal with include Microchip,ALPS,ROHM,Xilinx,Pulse,ON,Everlight and Freescale. Main products comprise IC,Modules,Potentiometer,IC Socket,Relay,Connector.Our parts cover such applications as commercial,industrial, and automotives areas.

We are looking forward to setting up business relationship with you and hope to provide you with the best service and solution. Let us make a better world for our industry!



Contact us

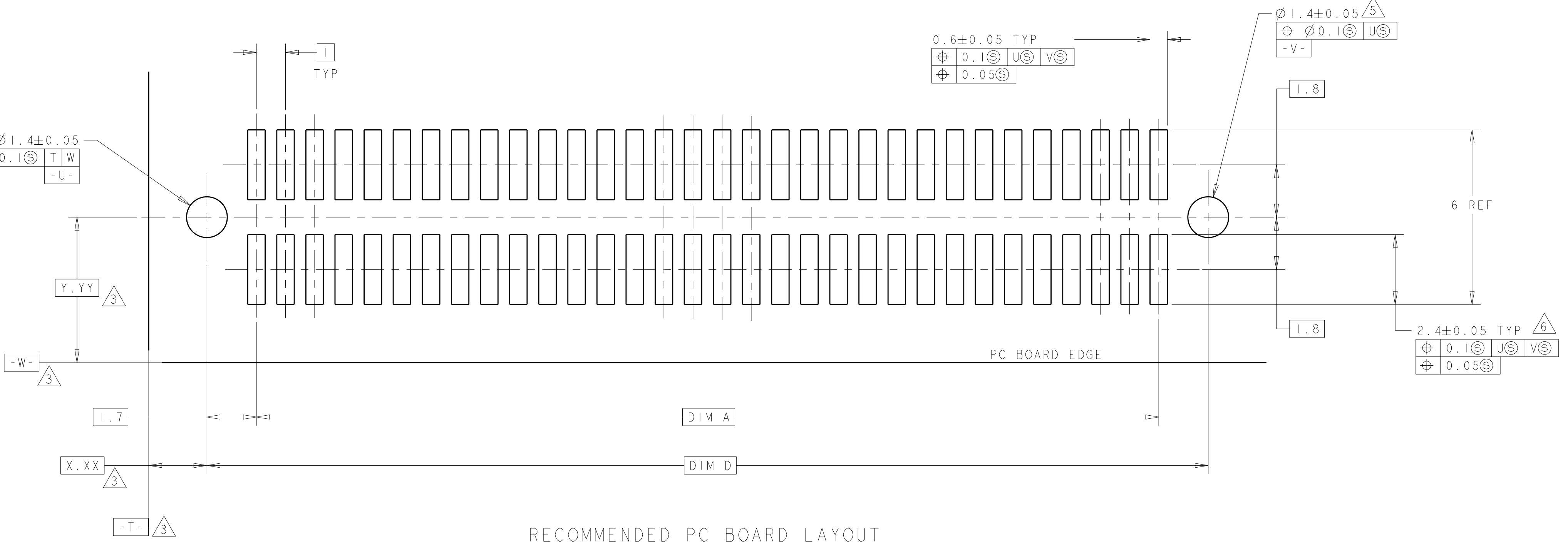
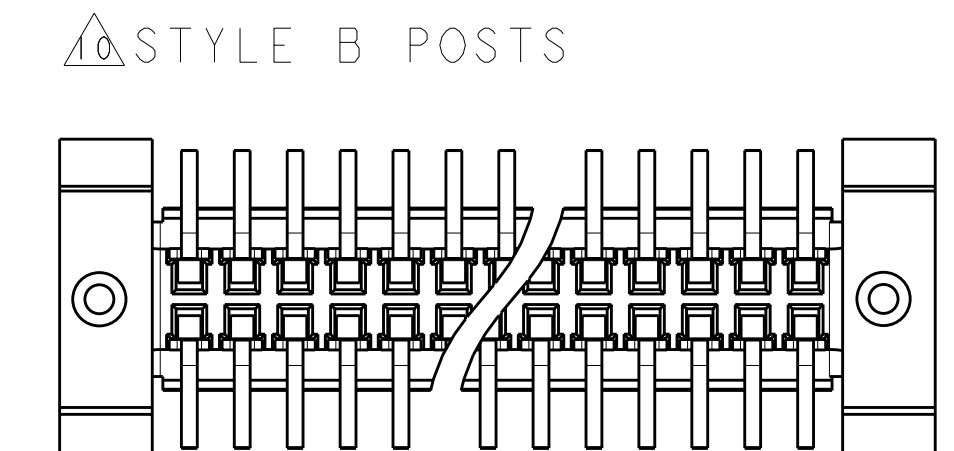
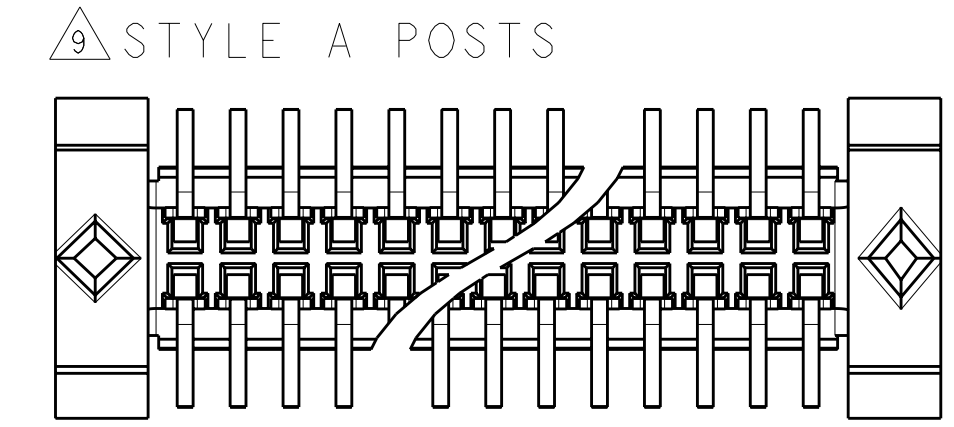
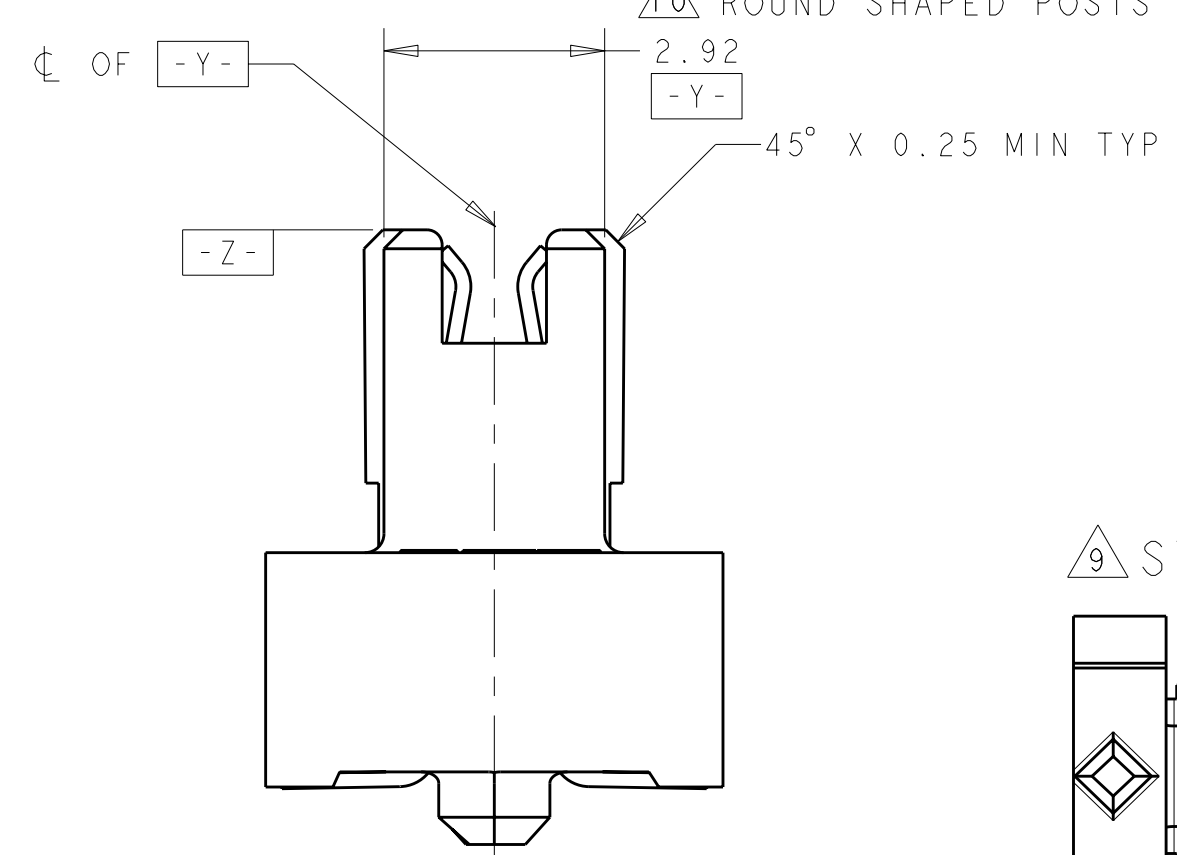
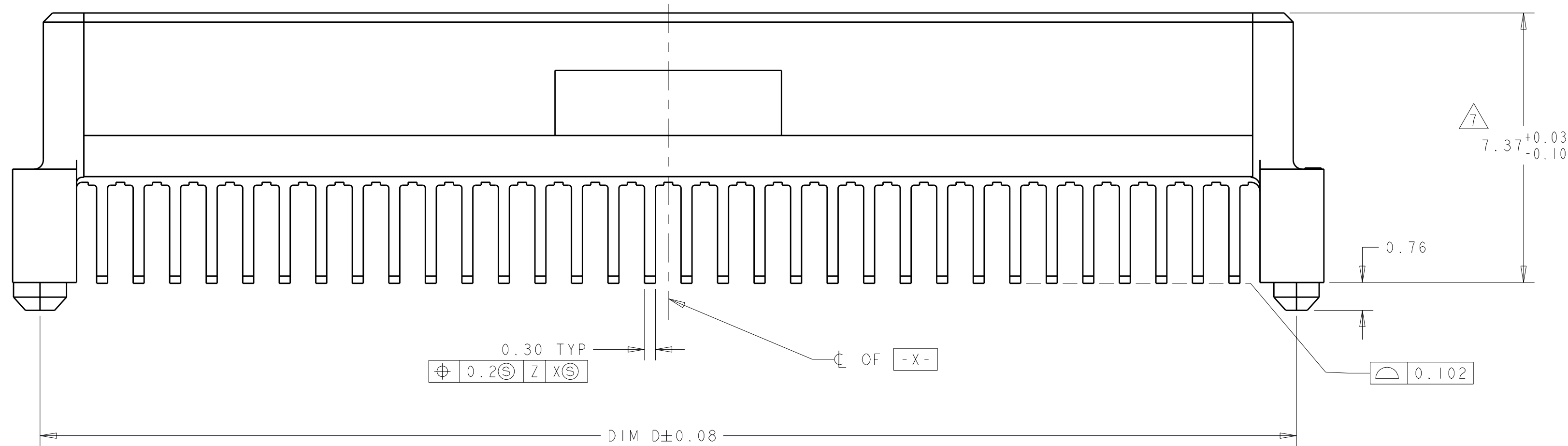
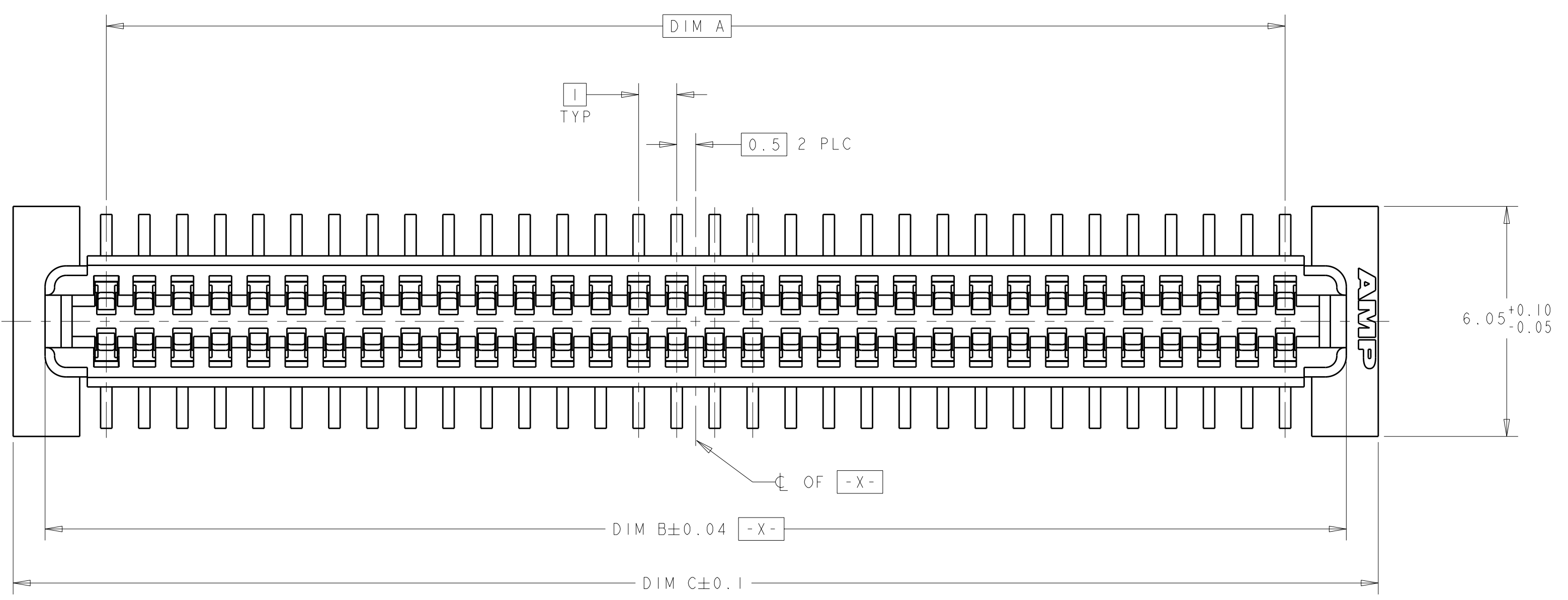
Tel: +86-755-8981 8866 Fax: +86-755-8427 6832

Email & Skype: info@chipsmall.com Web: www.chipsmall.com

Address: A1208, Overseas Decoration Building, #122 Zhenhua RD., Futian, Shenzhen, China



LOC	DIST	REV	DATE	DWN	APVD
AD	00	0	30SEP2004	BC	RW
		A	10JUL2006	DH	DB
		AI	14SEP2009	AEG	HM



1. HOUSING MATERIAL: HIGH TEMPERATURE THERMOPLASTIC. COLOR; BLACK. CONTACT MATERIAL: PHOSPHOR BRONZE.
2. CONTACT FINISH: NICKEL UNDERPLATE ALL OVER, MATING SURFACES PLATED TO MEET PL1 PERFORMANCE REQUIREMENTS OF INDUSTRY SPECIFICATION EIA-700AAAB, SOLDER TAILS PLATED TIN.
3. DATUM LOCATIONS AND BASIC DIMENSIONS TO BE ESTABLISHED BY THE CUSTOMER. CONSULT AMP ENGINEERING WHEN PLACING MULTIPLE CONNECTORS ON A PC BOARD.
4. PACKAGED IN TAPE ON REEL PER EIA-481.
5. 1.5 MIN DIAMETER HOLE SHOULD BE USED IF USING POST STYLE "A" AND PLACING ON PCB WITH VACUUM PLACEMENT EQUIPMENT.
6. SHORTER SOLDER LANDS MAY BE USED PER EIA 700AAAB, HOWEVER 2.4 LENGTH ASSURES OPTIMUM SOLDER FILLET REGARDLESS OF MANUFACTURER OF CONNECTOR.
7. REFERRED TO AS DIM H = 7.3 ± 0.1 IN EIA 700AAAB SPECIFICATION.
8. CONTACT FINISH: 0.00381 MINIMUM MATTE TIN PER ASTM B 545 ON SOLDER AREA, 0.0127 MINIMUM GOLD PER ASTM B 488 ON MATING AREA, BOTH OVER 0.00127 MINIMUM NICKEL PER SAE-AMS-QQ-N-290 ON ENTIRE CONTACT.
9. SQUARE AND DIAMOND SHAPED POSTS
10. ROUND SHAPED POSTS

POST STYLE	FINISH	DIM D	DIM C	DIM B	DIM A	STACK HGTS	POS	PART NO
10	8	44.4	45.9	44.22	41	11, 12	84	3-5120603-2
10	2	34.4	35.9	34.22	31	11, 12	64	3-5120603-1
10	2	44.4	45.9	44.22	41	11, 12	84	2-5120603-2
9	2	34.4	35.9	34.22	31	11, 12	64	2-5120603-1
9	8	44.4	45.9	44.22	41	11, 12	84	1-5120603-2
9	2	34.4	35.9	34.22	31	11, 12	64	1-5120603-1
9	2	44.4	45.9	44.22	41	11, 12	84	5120603-2
9	2	34.4	35.9	34.22	31	11, 12	64	5120603-1

DIMENSIONS: mm TOLERANCES UNLESS OTHERWISE SPECIFIED: 9 PLC ± 1 PLC ±0.03 5 PLC ±0.003 4 PLC ± ANGLES 40°-1° FINISH SEE TABLE		DWN: B. CARBO CHK: R. WERTZ APVD: R. WERTZ PRODUCT SPEC: 502-1079 APPLICATION SPEC: 114-25045 WEIGHT: - CUSTOMER DRAWING		30SEP04 30SEP04 30SEP04 NAME: RECEPTACLE ASSY, 1.0mm FH(IEEE1386) CONNECTOR SIZE: A1 CAGE CODE: 00779 DRAWING NO: C=5120603 SCALE: 10:1 SHEET: 1 OF 1 REV: A1		Tyco Electronics Corporation Harrisburg, PA 17105-3608	
--	--	--	--	--	--	---	--