



Chipsmall Limited consists of a professional team with an average of over 10 year of expertise in the distribution of electronic components. Based in Hongkong, we have already established firm and mutual-benefit business relationships with customers from,Europe,America and south Asia,supplying obsolete and hard-to-find components to meet their specific needs.

With the principle of “Quality Parts,Customers Priority,Honest Operation,and Considerate Service”,our business mainly focus on the distribution of electronic components. Line cards we deal with include Microchip,ALPS,ROHM,Xilinx,Pulse,ON,Everlight and Freescale. Main products comprise IC,Modules,Potentiometer,IC Socket,Relay,Connector.Our parts cover such applications as commercial,industrial, and automotives areas.

We are looking forward to setting up business relationship with you and hope to provide you with the best service and solution. Let us make a better world for our industry!



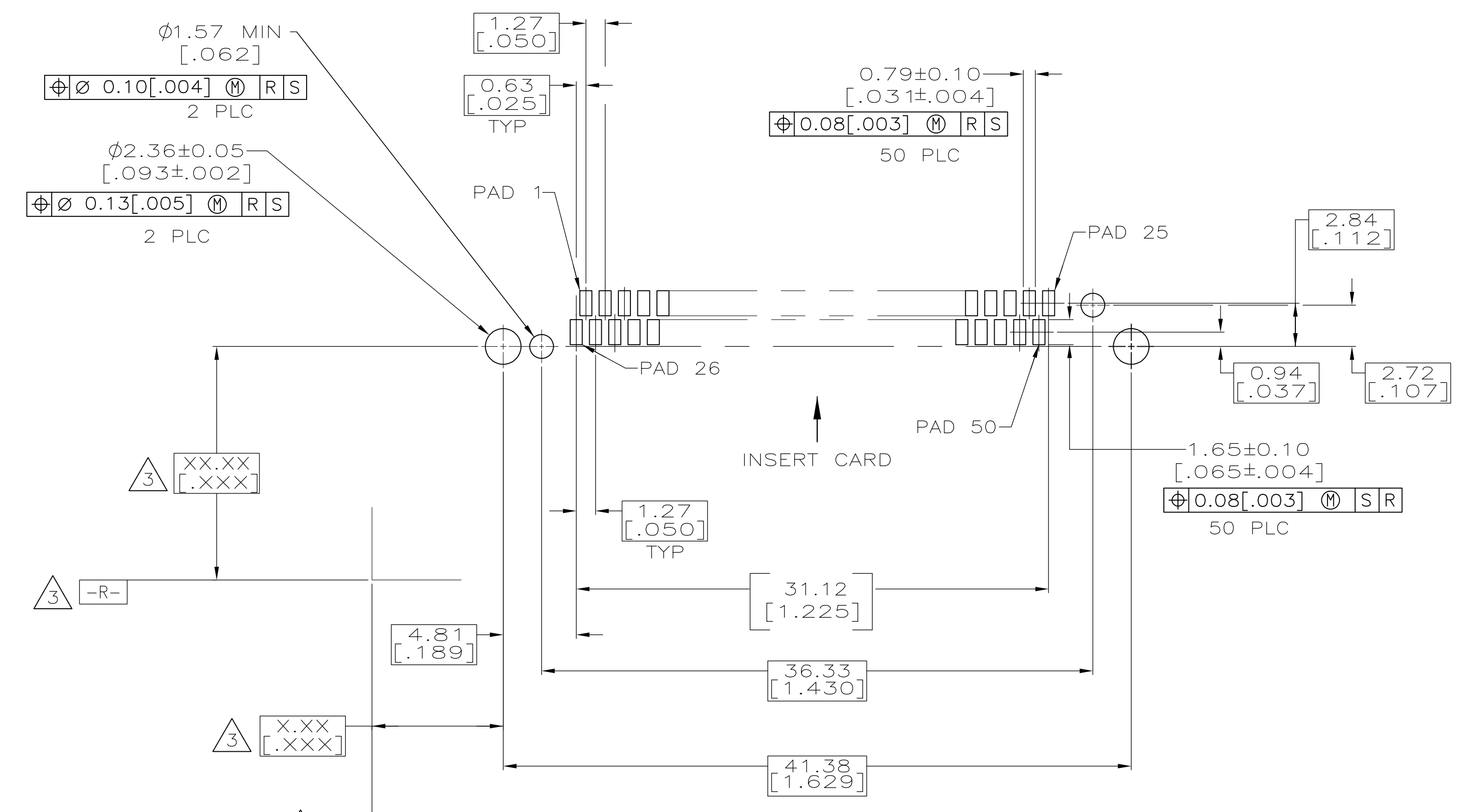
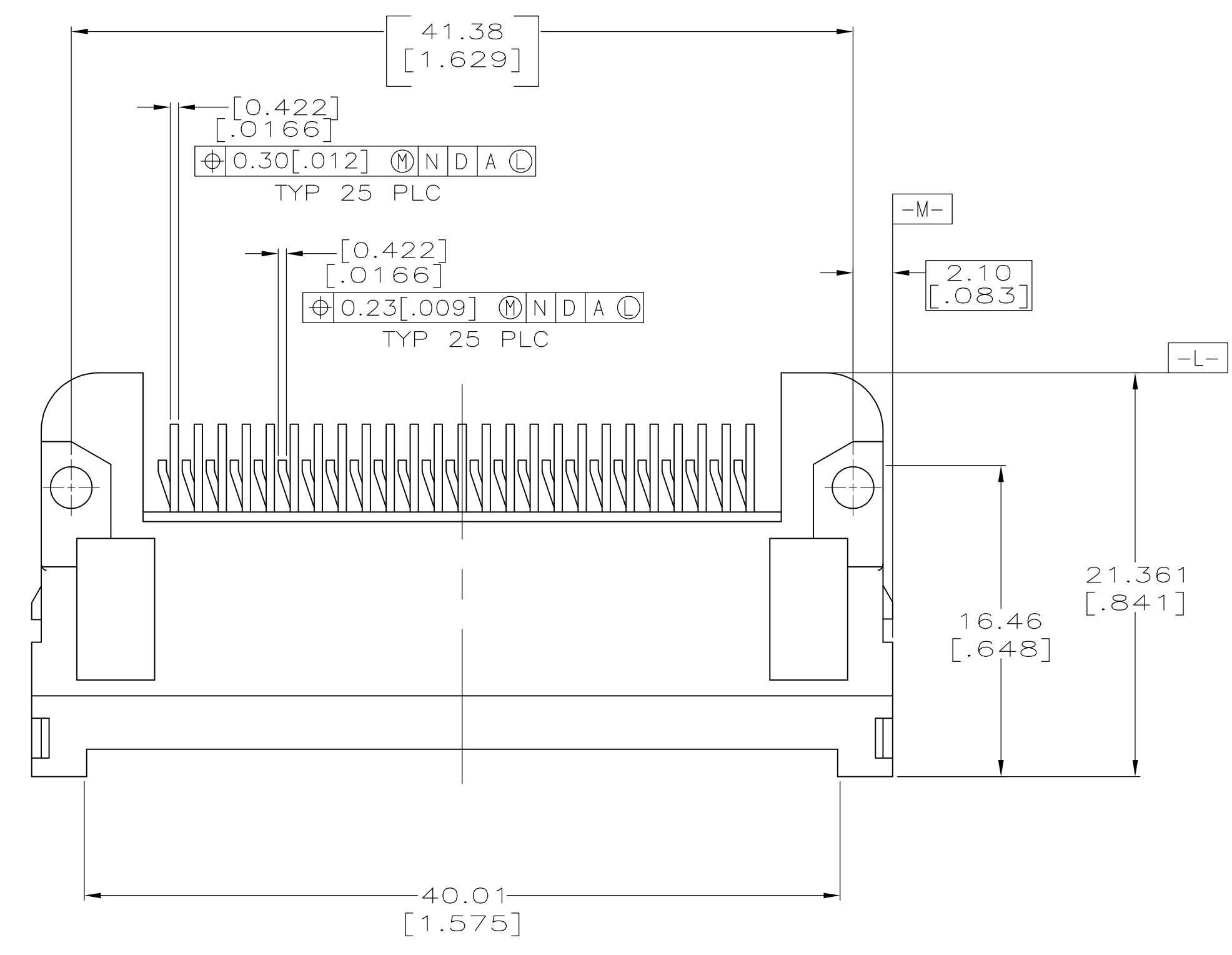
Contact us

Tel: +86-755-8981 8866 Fax: +86-755-8427 6832

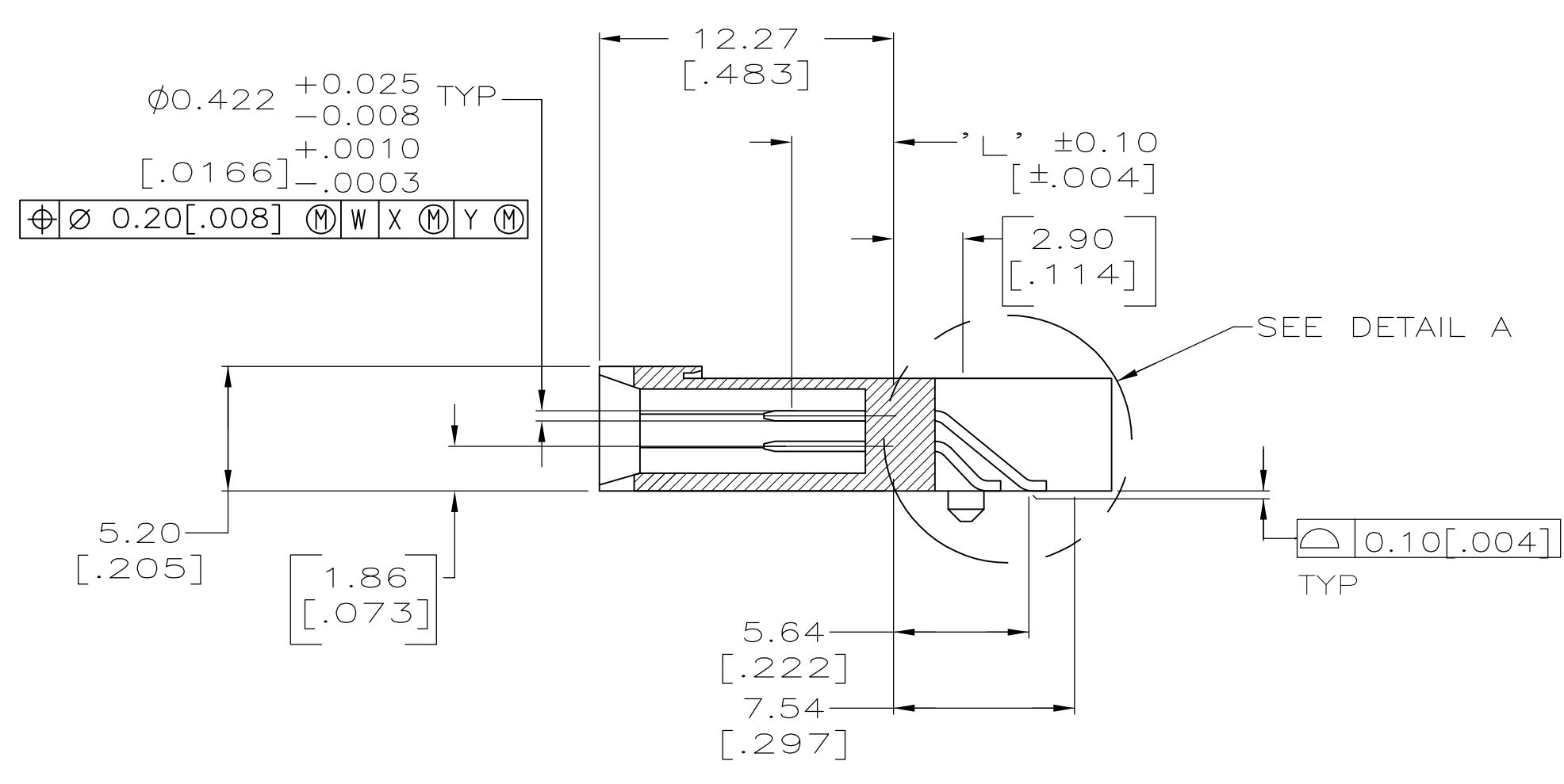
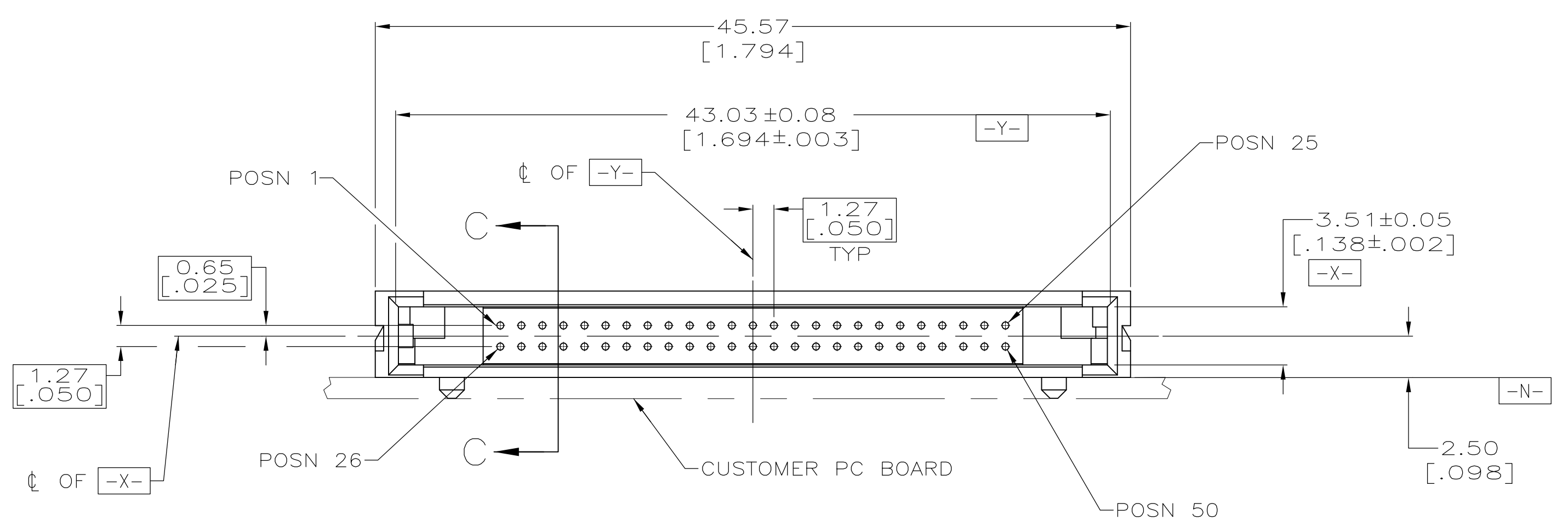
Email & Skype: info@chipsmall.com Web: www.chipsmall.com

Address: A1208, Overseas Decoration Building, #122 Zhenhua RD., Futian, Shenzhen, China



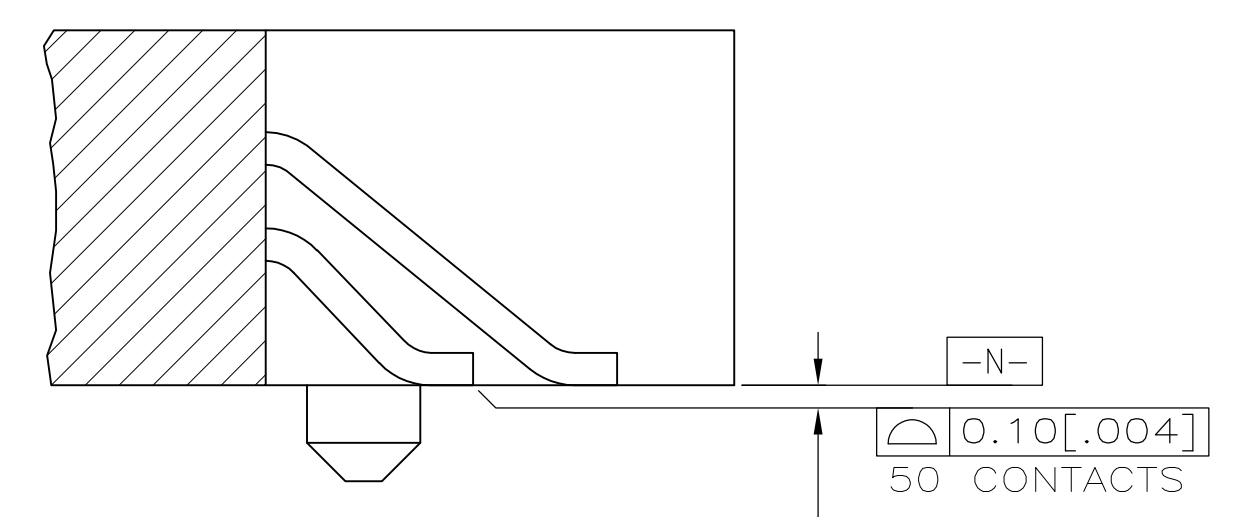


RECOMMENDED BOARD LAYOUT



SECTION C-C

- 1 CONTACTS: 0.00076[.000030] MINIMUM GOLD IN CONTACT AREA, 0.00381[.000150] MIN TIN ON SOLDER TAILS, ALL OVER 0.00127[.000050] MINIMUM NICKEL
- 2 CUSTOMER TO PROVIDE CARD GUIDANCE SYSTEM
- 3 DATUMS AND BASIC DIMENSIONS ESTABLISHED BY CUSTOMER
- 4 CONNECTOR REQUIRES USE OF 2 - SIZE 2M SCREWS FOR FASTENING TO PRINTED CIRCUIT BOARD



DETAIL A
SCALE 10:1

1, 13, 38, 50	ALL OTHER PINS	25, 26	5120615-1
5.0	4.25	3.5	PART NUMBER
[.197]	[.167]	[.138]	"L" (PIN LENGTH) AND LOCATION

THIS DRAWING IS A CONTROLLED DOCUMENT.		DIN B MCMMASTER 12JULY05		TE Connectivity	
DIMENSIONS: mm [INCHES]		CHK J. GERACE 12JULY05		NAME M. WALMSLEY 12JULY05	
TOLERANCES UNLESS OTHERWISE SPECIFIED:		APPL. SPEC		PRODUCT SPEC	
0 PLC	±	APPLICATION SPEC		PIN HEADER ASSEMBLY, 50 POSN, SMT, TOP MOUNT, LOW PROFILE, AMP COMPACTFLASH	
1 PLC	±	SIZE		CAGE CODE	
2 PLC	± 0.13 [0.005]	DRAWING NO		DRAWING NO	
3 PLC	±	WEIGHT		RESTRICTED TO	
4 PLC	±	A1 00779		5120615	
ANGLES	±	CUSTOMER DRAWING		SCALE 4:1 SHEET 1 OF 1 REV P	