



Chipsmall Limited consists of a professional team with an average of over 10 year of expertise in the distribution of electronic components. Based in Hongkong, we have already established firm and mutual-benefit business relationships with customers from,Europe,America and south Asia,supplying obsolete and hard-to-find components to meet their specific needs.

With the principle of “Quality Parts,Customers Priority,Honest Operation,and Considerate Service”,our business mainly focus on the distribution of electronic components. Line cards we deal with include Microchip,ALPS,ROHM,Xilinx,Pulse,ON,Everlight and Freescale. Main products comprise IC,Modules,Potentiometer,IC Socket,Relay,Connector.Our parts cover such applications as commercial,industrial, and automotives areas.

We are looking forward to setting up business relationship with you and hope to provide you with the best service and solution. Let us make a better world for our industry!



## Contact us

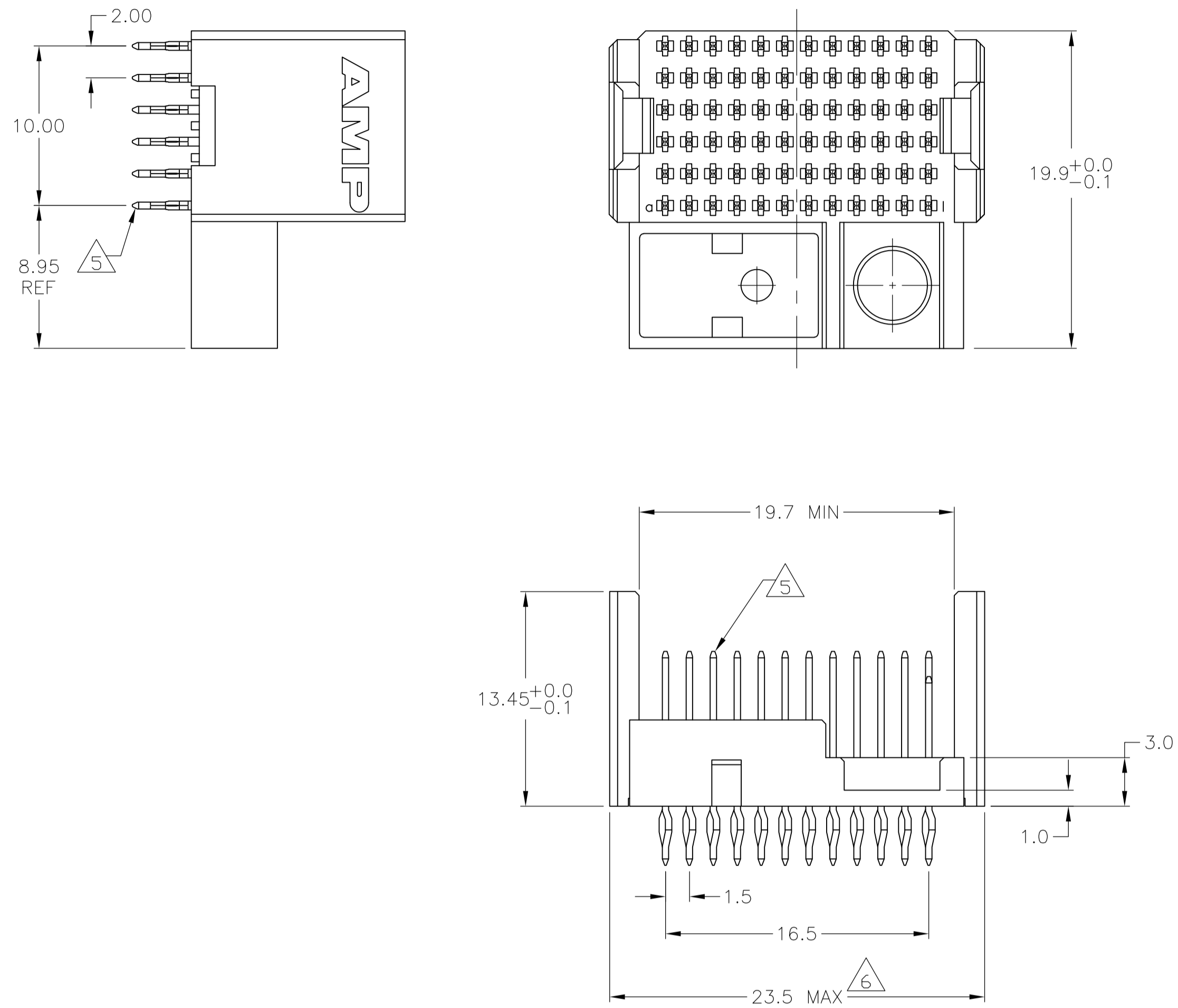
Tel: +86-755-8981 8866 Fax: +86-755-8427 6832

Email & Skype: info@chipsmall.com Web: www.chipsmall.com

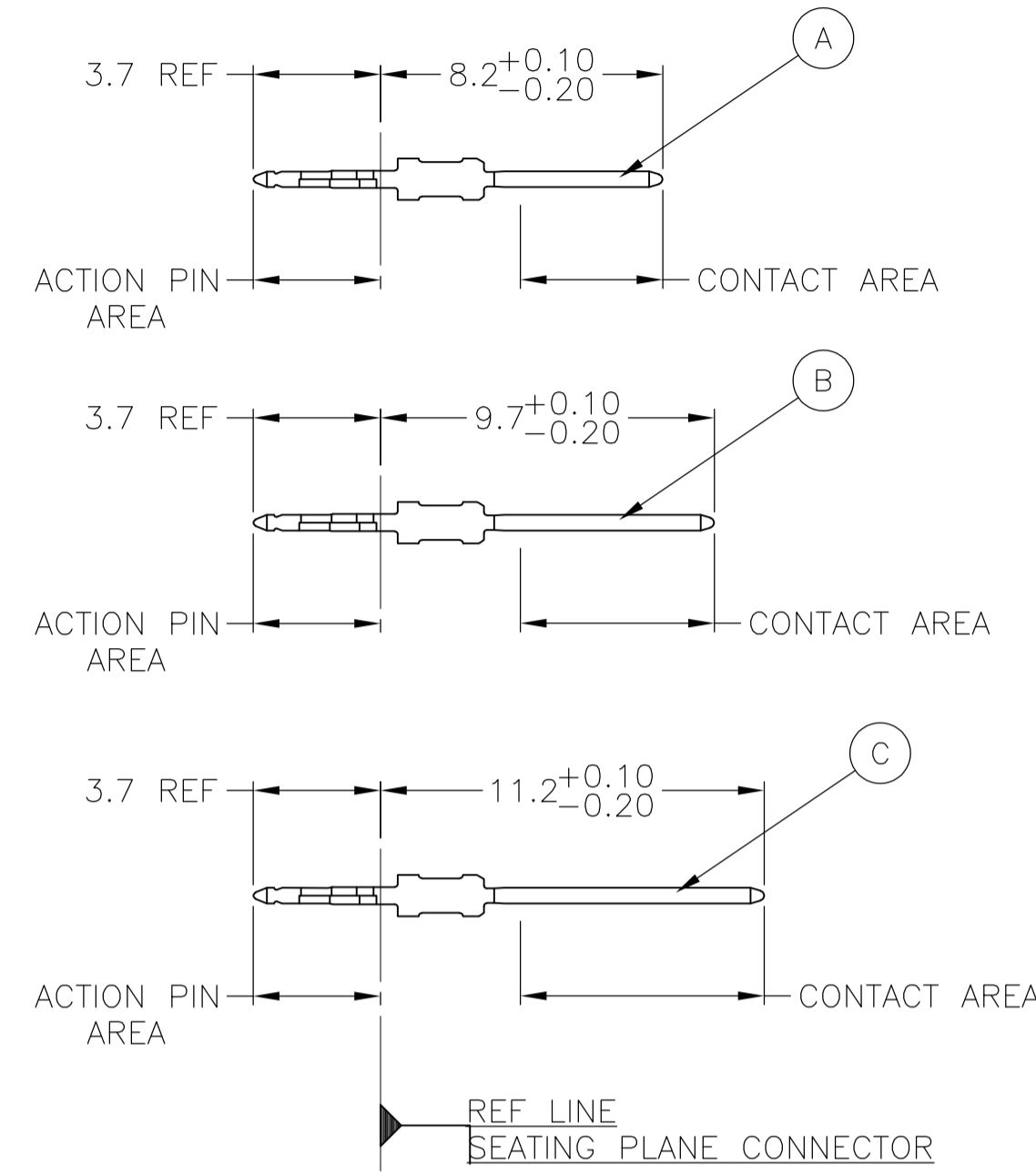
Address: A1208, Overseas Decoration Building, #122 Zhenhua RD., Futian, Shenzhen, China



# CONNECTOR ASSEMBLY EXAMPLARY LOADED $\triangle 4$

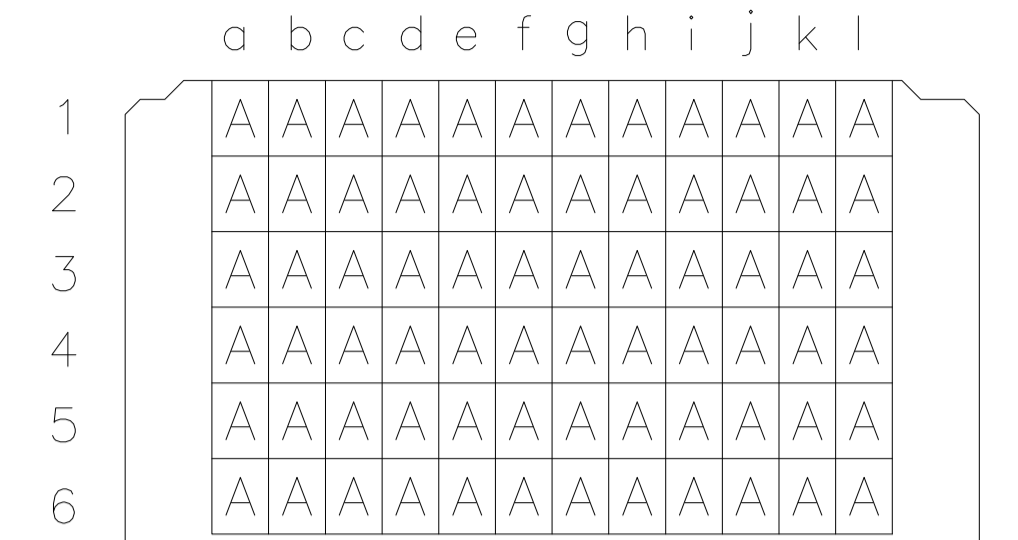


## CONTACT DIMENSIONS SCALE 5:1



LOC	DIST	REVISIONS					
AD	00	REV	PER	DESCRIPTION	DATE	DMN	APVD
B		REV PER	ECO-06-021628		10JAN07	DKH	GS
B1		REVISED PER	ECO-09-024927		07NOV09	KK	AEQ
C		ECR-10-019054			15SEP10	DP	MQW

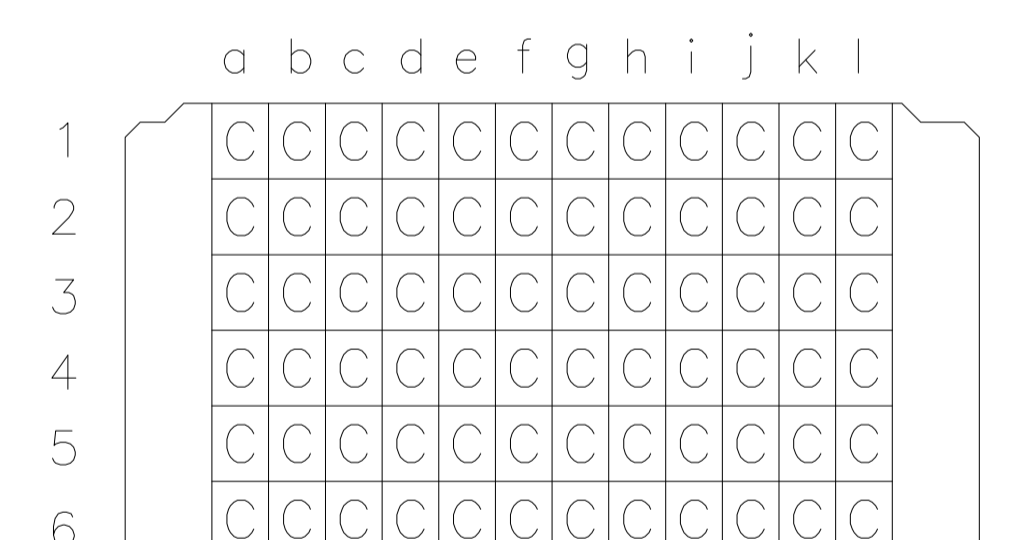
## CONTACT LAYOUT



## 5120642-1 AS SHOWN



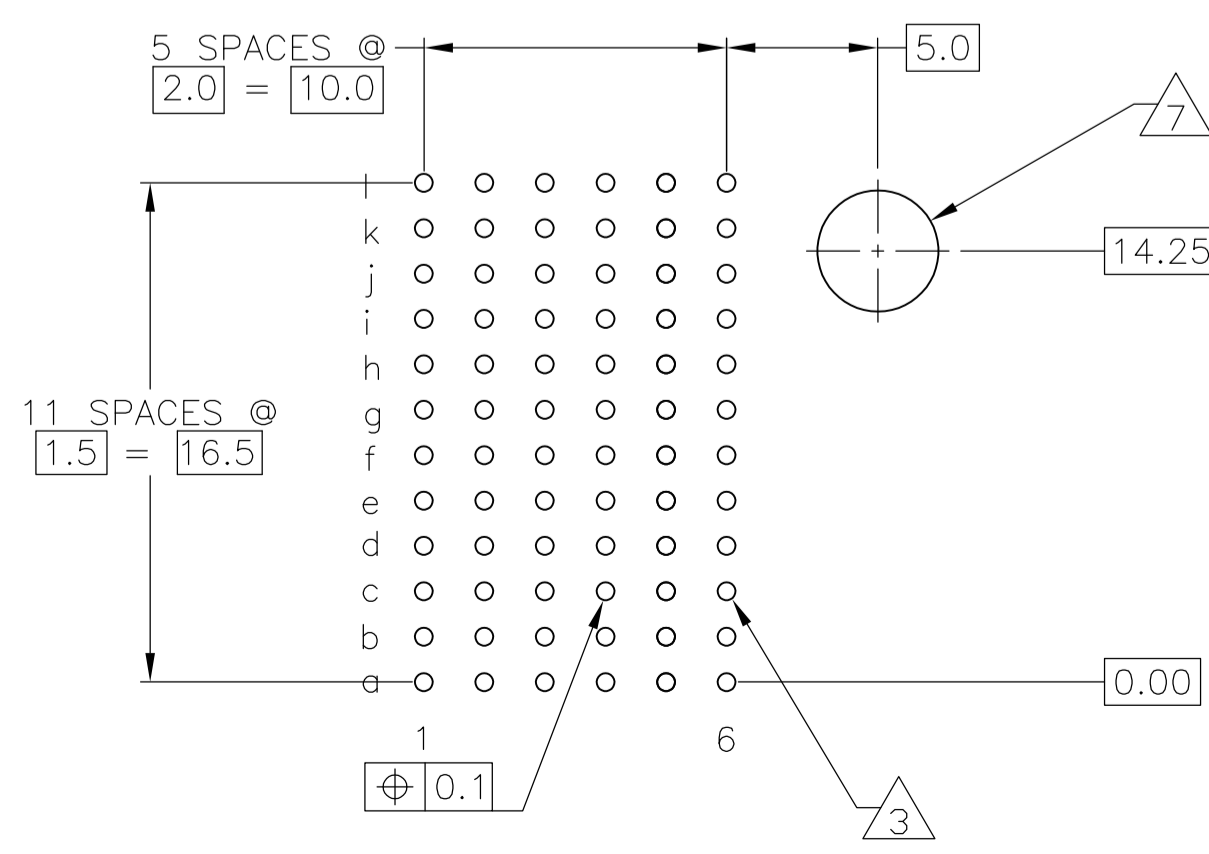
## $\triangle 10$ 5120642-2 AS SHOWN



## 5120642-3 AS SHOWN

## RECOMMENDED PCB-HOLE LAYOUT COMPONENT SIDE SHOWN

## PLATED THRU HOLES PARAMETERS REFERENCE APPLICATION SPECIFICATION



- $\triangle 1$  CONFORMS TO ALL TESTING ACCORDING TO IEC 61076-4-101 PERFORMANCE LEVEL 2.
- $\triangle 2$  MATERIAL:  
CONTACT: PHOSPHOR BRONZE.  
HOUSING: GLASS-FILLED POLYESTER.
- $\triangle 3$  PLATED-THROUGH HOLES AT 2x2mm SQUARE GRID PATTERN DEFINED BY CONTACT LAYOUT.
- $\triangle 4$  FOR ACTUAL PIN LOADING SEE "CONTACT LAYOUT".
- $\triangle 5$  FOR ACTUAL PIN DIMENSIONS SEE "CONTACT DIMENSIONS".
- $\triangle 6$  TO BE MEASURED AT BOTTOM OF SHROUD.
- $\triangle 7$  GUIDE PIN HOLE DIAMETER CLEARANCE DEFINED BY CHOICE OF GUIDE PIN.
- 8. KEY AND ALIGNMENT PIN ASSEMBLED BY END USER AT APPLICATION.
- $\triangle 9$  GENERAL PLATING SPECIFICATION: UNDERPLATING (ENTIRE CONTACT): 1.27 $\mu$ m MIN NICKEL AND ACTION PIN: 0.5 $\mu$ m MIN TIN. FOR PLATING OF MATING SURFACES SEE APPLICABLE SPECIFICATION REFERENCE FOR EACH DASH NUMBER
- $\triangle 10$  OBSOLETE PARTS: OBSOLETE CIS STREAMLINING PER D.RENAUD/D.SINISI

	5120642-3
$\triangle 10$ OBSOLETE	<del>5120642-2</del>
	5120642-1
	PART NUMBER

THIS DRAWING IS A CONTROLLED DOCUMENT.		DIN B. CARBO 01JUN05	Tyco Electronics Corporation Harrisburg, PA 17105-3608	
DIMENSIONS: mm		CHK G. SKIPPER 01JUN05	NAME MALE ASSEMBLY, Z-PACK 2mm HM, LEFT HAND, 12 ROW	
TOLERANCES UNLESS OTHERWISE SPECIFIED:		APVD G. SKIPPER 01JUN05	PRODUCT SPEC 108-1738	
0-PLC ±		APPLICATION SPEC 114-1132		
1-PLC ±		SIZE A1		
2-PLC ±		CAGE CODE 00779		
3-PLC ±		DRAWING NO. 5120642		
4-PLC ±		RESTRICTED TO		
ANGLES ±		CUSTOMER DRAWING		
MATERIAL $\triangle 2$		SCALE 4:1 SHEET 1 OF 1 REV C		
FINISH $\triangle 1 \triangle 9$				