



Chipsmall Limited consists of a professional team with an average of over 10 year of expertise in the distribution of electronic components. Based in Hongkong, we have already established firm and mutual-benefit business relationships with customers from,Europe,America and south Asia,supplying obsolete and hard-to-find components to meet their specific needs.

With the principle of “Quality Parts,Customers Priority,Honest Operation,and Considerate Service”,our business mainly focus on the distribution of electronic components. Line cards we deal with include Microchip,ALPS,ROHM,Xilinx,Pulse,ON,Everlight and Freescale. Main products comprise IC,Modules,Potentiometer,IC Socket,Relay,Connector.Our parts cover such applications as commercial,industrial, and automotives areas.

We are looking forward to setting up business relationship with you and hope to provide you with the best service and solution. Let us make a better world for our industry!



## Contact us

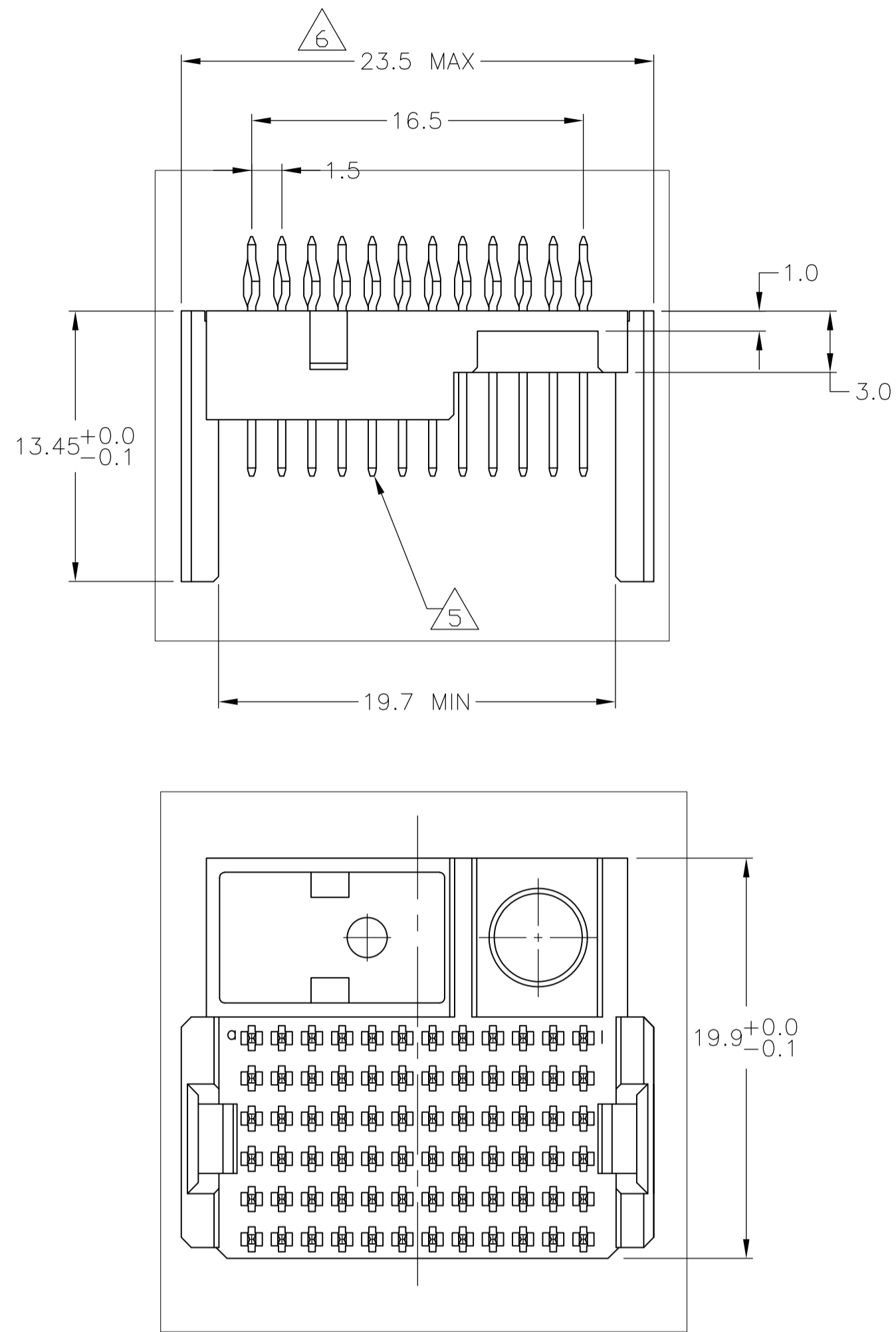
Tel: +86-755-8981 8866 Fax: +86-755-8427 6832

Email & Skype: info@chipsmall.com Web: www.chipsmall.com

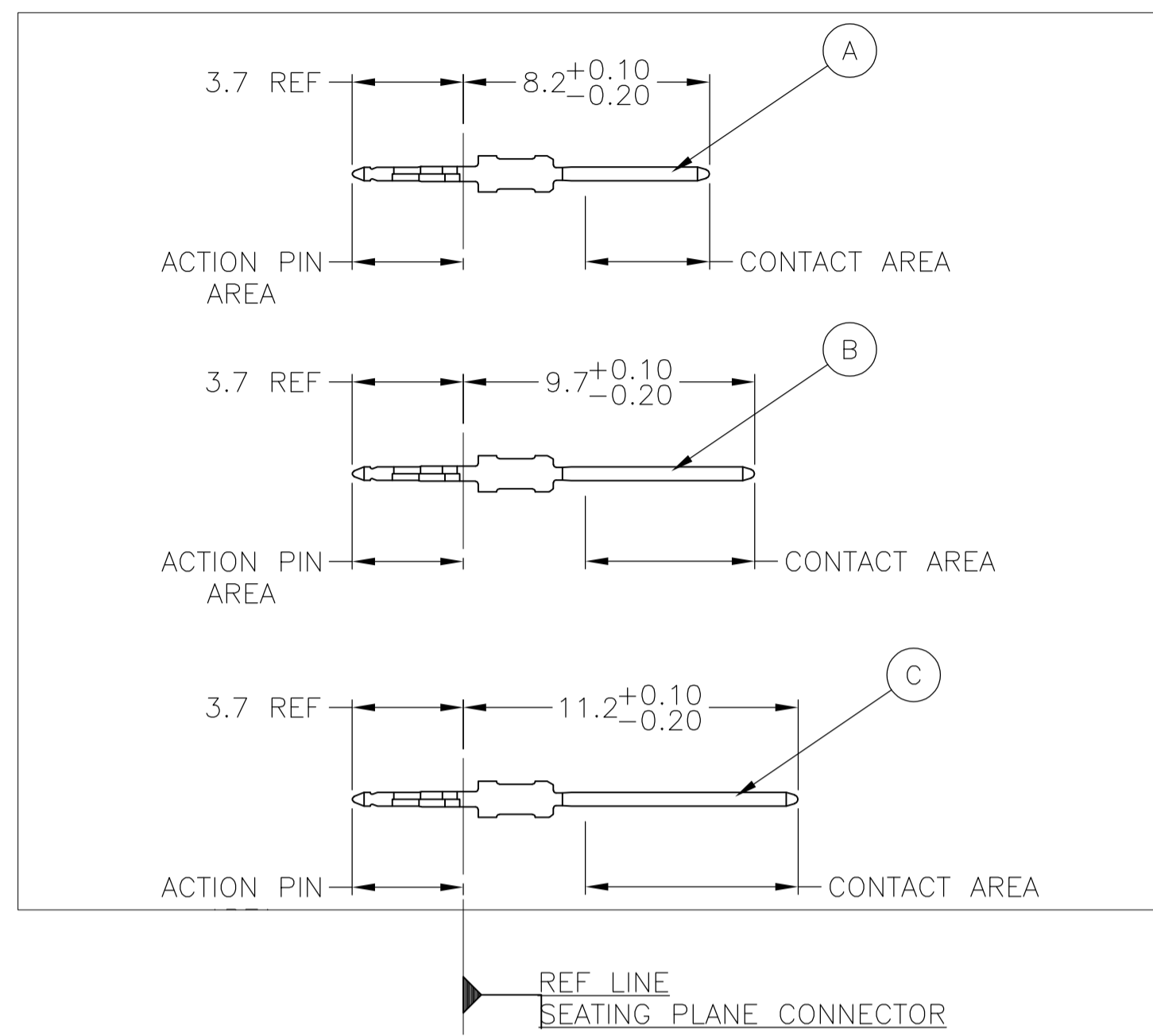
Address: A1208, Overseas Decoration Building, #122 Zhenhua RD., Futian, Shenzhen, China



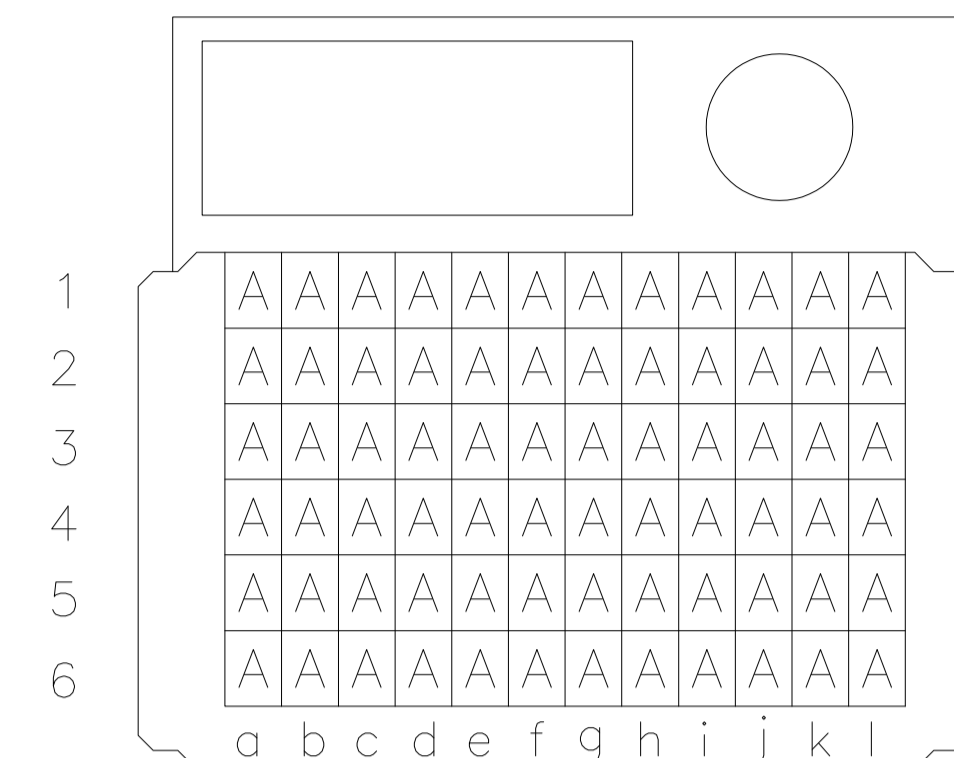
# CONNECTOR ASSEMBLY EXAMPLARY LOADED 4



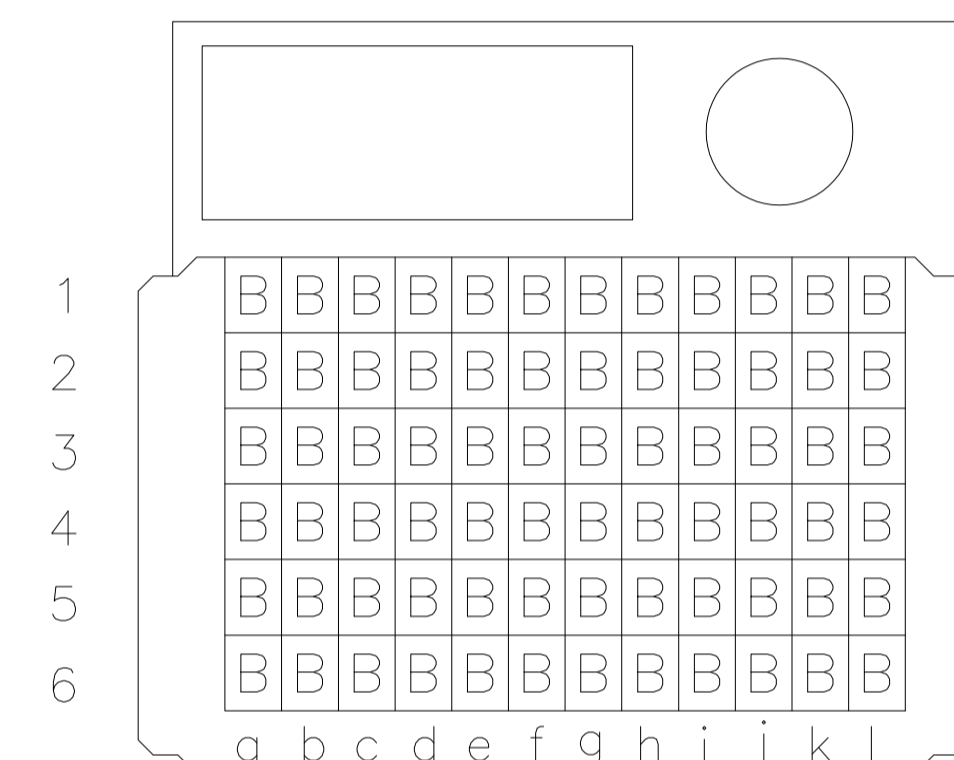
## CONTACT DIMENSIONS SCALE 5:1



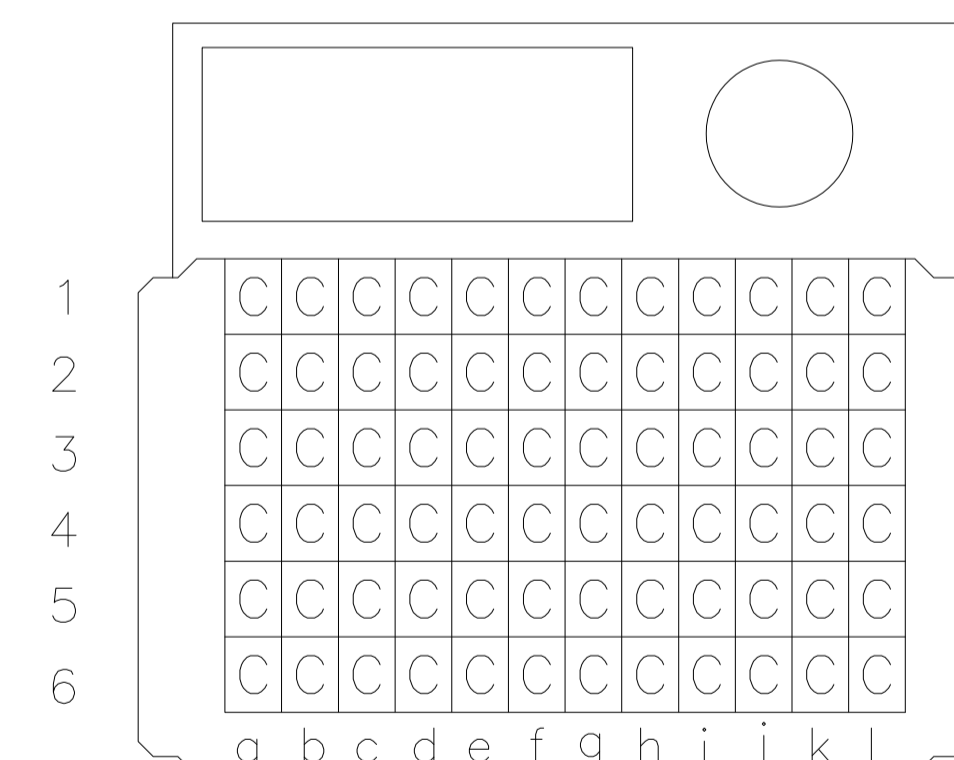
## CONTACT LAYOUT



5120643-1 AS SHOWN



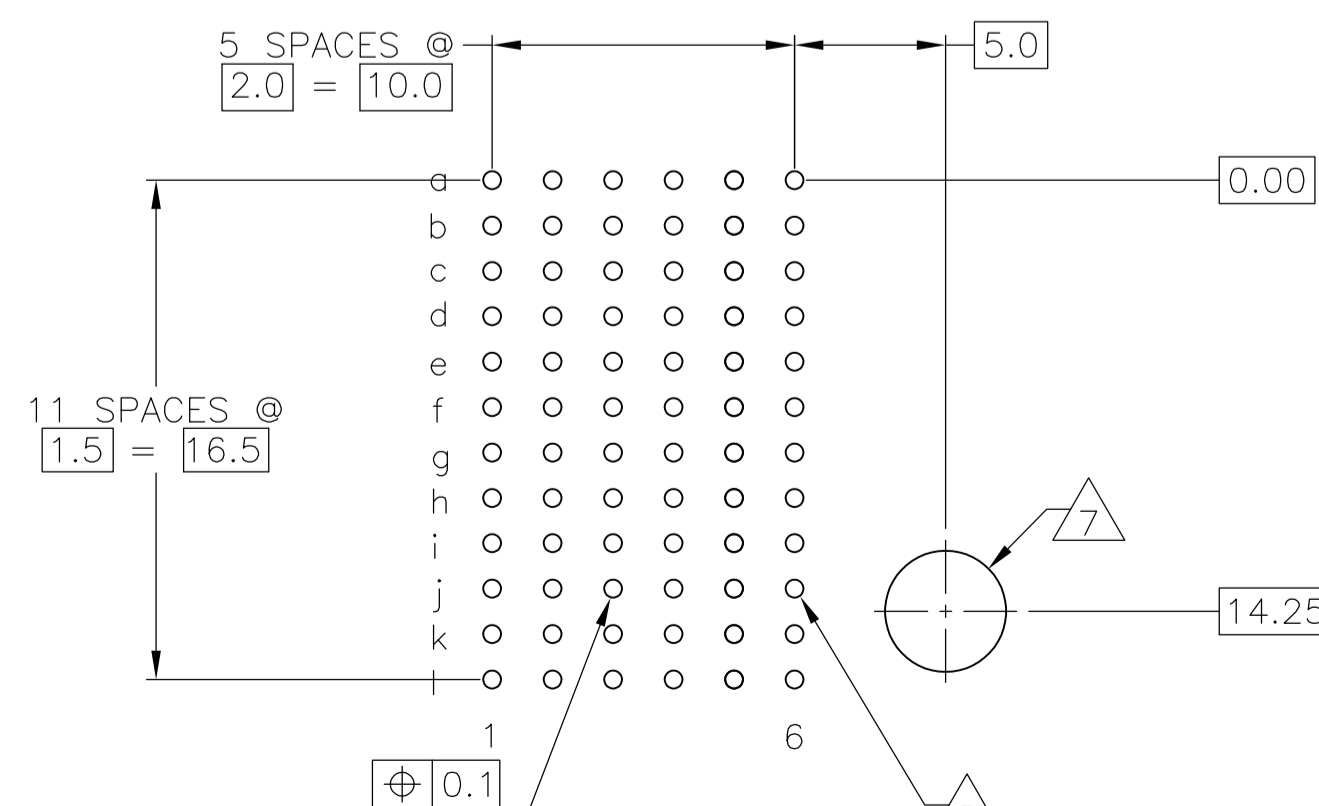
10 5120643-2 AS SHOWN



5120643-3 AS SHOWN

- 1 CONFORMS TO ALL TESTING ACCORDING TO IEC 61076-4-101 PERFORMANCE LEVEL 2.
- 2 MATERIAL:  
CONTACT: PHOSPHOR BRONZE.  
HOUSING: GLASS-FILLED POLYESTER.
- 3 PLATED-THROUGH HOLES AT 2x2mm SQUARE GRID PATTERN DEFINED BY CONTACT LAYOUT.
- 4 FOR ACTUAL PIN LOADING SEE "CONTACT LAYOUT".
- 5 FOR ACTUAL PIN DIMENSIONS SEE "CONTACT DIMENSIONS".
- 6 TO BE MEASURED AT BOTTOM OF SHROUD.
- 7 GUIDE PIN HOLE DIAMETER CLEARANCE DEFINED BY CHOICE OF GUIDE PIN.
- 8. KEY AND ALIGNMENT PIN ASSEMBLED BY END USER AT APPLICATION.
- 9 GENERAL PLATING SPECIFICATION: UNDERPLATING (ENTIRE CONTACT): 1.27µm MIN NICKEL AND ACTION PIN: 0.5µm MIN TIN. FOR PLATING OF MATING SURFACES SEE APPLICABLE SPECIFICATION REFERENCE FOR EACH DASH NUMBER.
- 10 OBSOLETE PARTS: OBSOLETE CIS STREAMLINING PER D.RENAUD/D.SINISI

## RECOMMENDED PCB-HOLE LAYOUT COMPONENT SIDE SHOWN



## PLATED THRU HOLES PARAMETERS

REFERENCE APPLICATION SPECIFICATION

THIS DRAWING IS A CONTROLLED DOCUMENT.		DIN B. CARBO 02JUN05		Tyco Electronics Corporation Harrisburg, PA 17105-3608	
DIMENSIONS: mm		G. SKIPPER 02JUN05		NAME: MALE ASSEMBLY, Z-PACK 2mm HM, RIGHT HAND, 12 ROW	
TOLERANCES UNLESS OTHERWISE SPECIFIED:		G. SKIPPER 02JUN05		PRODUCT SPEC: 108-1738	
0-PLG ±		APPLICATION SPEC: 114-1132		RESTRICTED TO: -	
1-PLG ±0.1		SIZE: A1		CAGE CODE: 00779	
2-PLG ±		DRAWING NO: 5120643		REV: C	
3-PLG ±		WEIGHT: -		SCALE: 4:1	
4-PLG ±		CUSTOMER DRAWING		SHEET 1 OF 1	
ANGLES ±		SCALE: 4:1		REV: C	