



Chipsmall Limited consists of a professional team with an average of over 10 year of expertise in the distribution of electronic components. Based in Hongkong, we have already established firm and mutual-benefit business relationships with customers from,Europe,America and south Asia,supplying obsolete and hard-to-find components to meet their specific needs.

With the principle of "Quality Parts,Customers Priority,Honest Operation,and Considerate Service",our business mainly focus on the distribution of electronic components. Line cards we deal with include Microchip,ALPS,ROHM,Xilinx,Pulse,ON,Everlight and Freescale. Main products comprise IC,Modules,Potentiometer,IC Socket,Relay,Connector.Our parts cover such applications as commercial,industrial, and automotives areas.

We are looking forward to setting up business relationship with you and hope to provide you with the best service and solution. Let us make a better world for our industry!



## Contact us

Tel: +86-755-8981 8866 Fax: +86-755-8427 6832

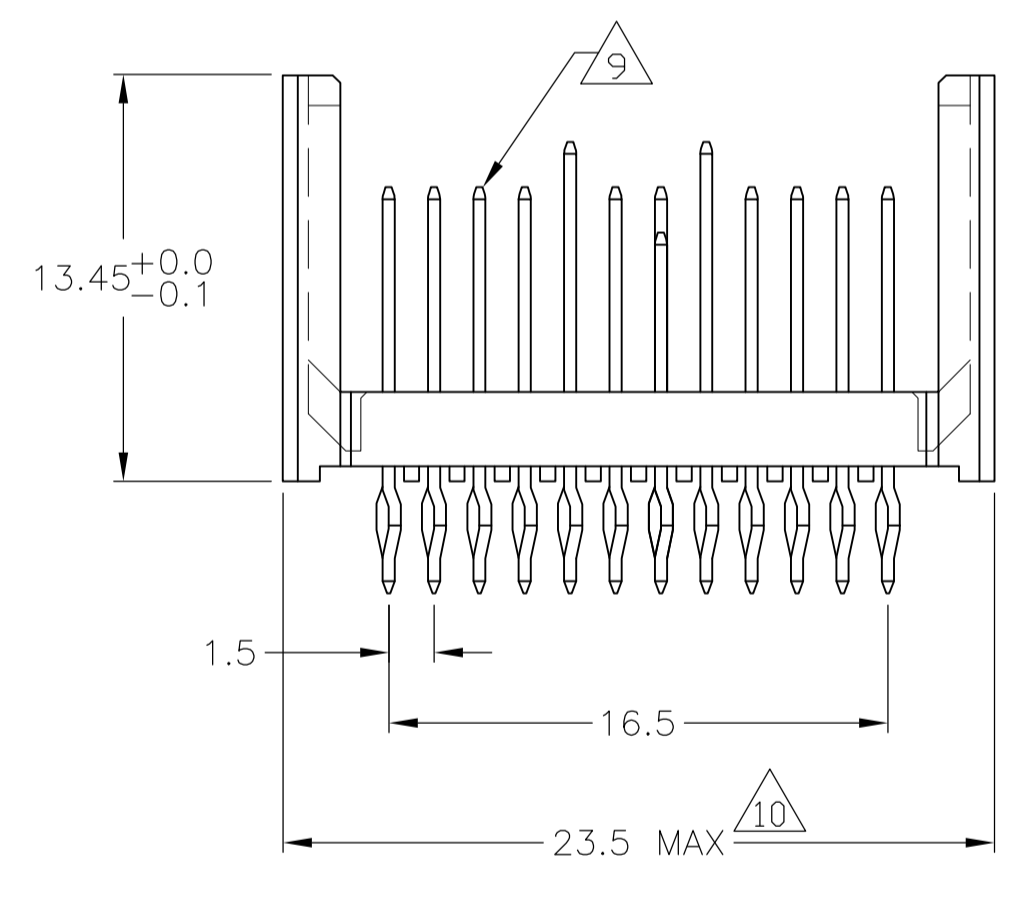
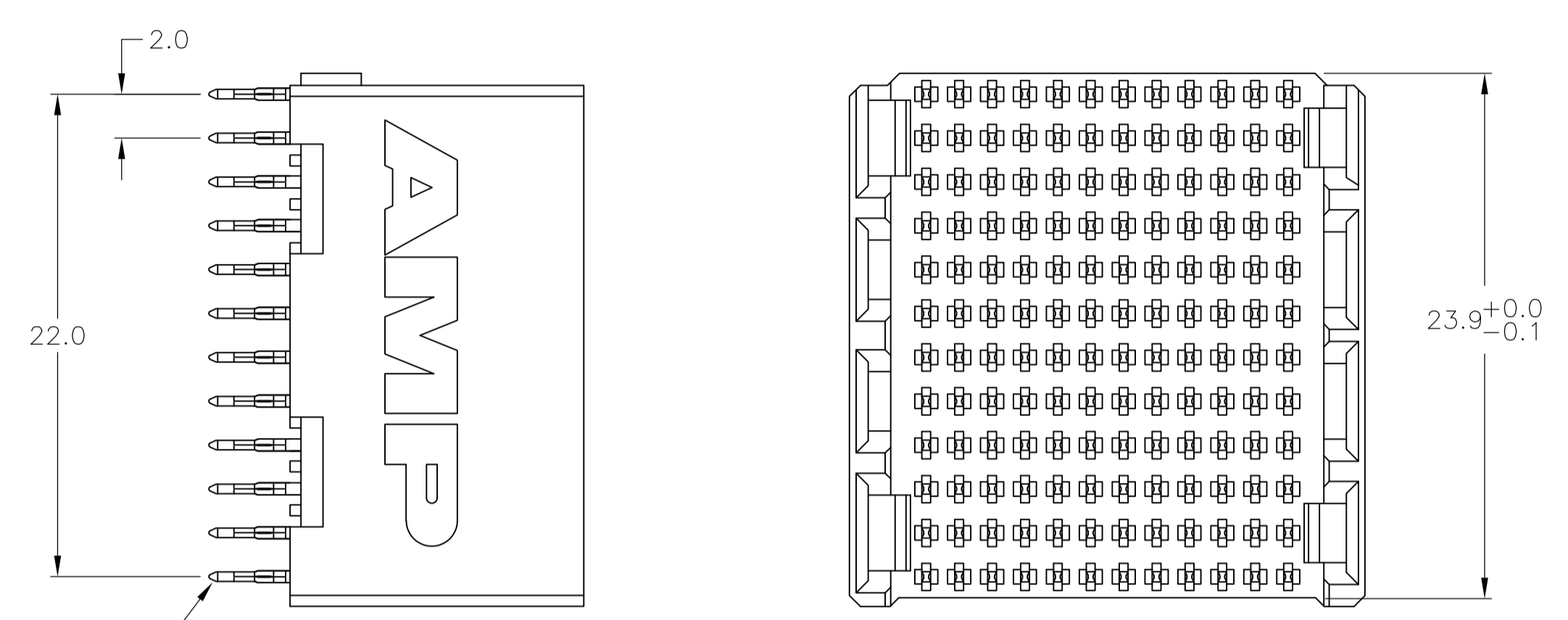
Email & Skype: info@chipsmall.com Web: www.chipsmall.com

Address: A1208, Overseas Decoration Building, #122 Zhenhua RD., Futian, Shenzhen, China

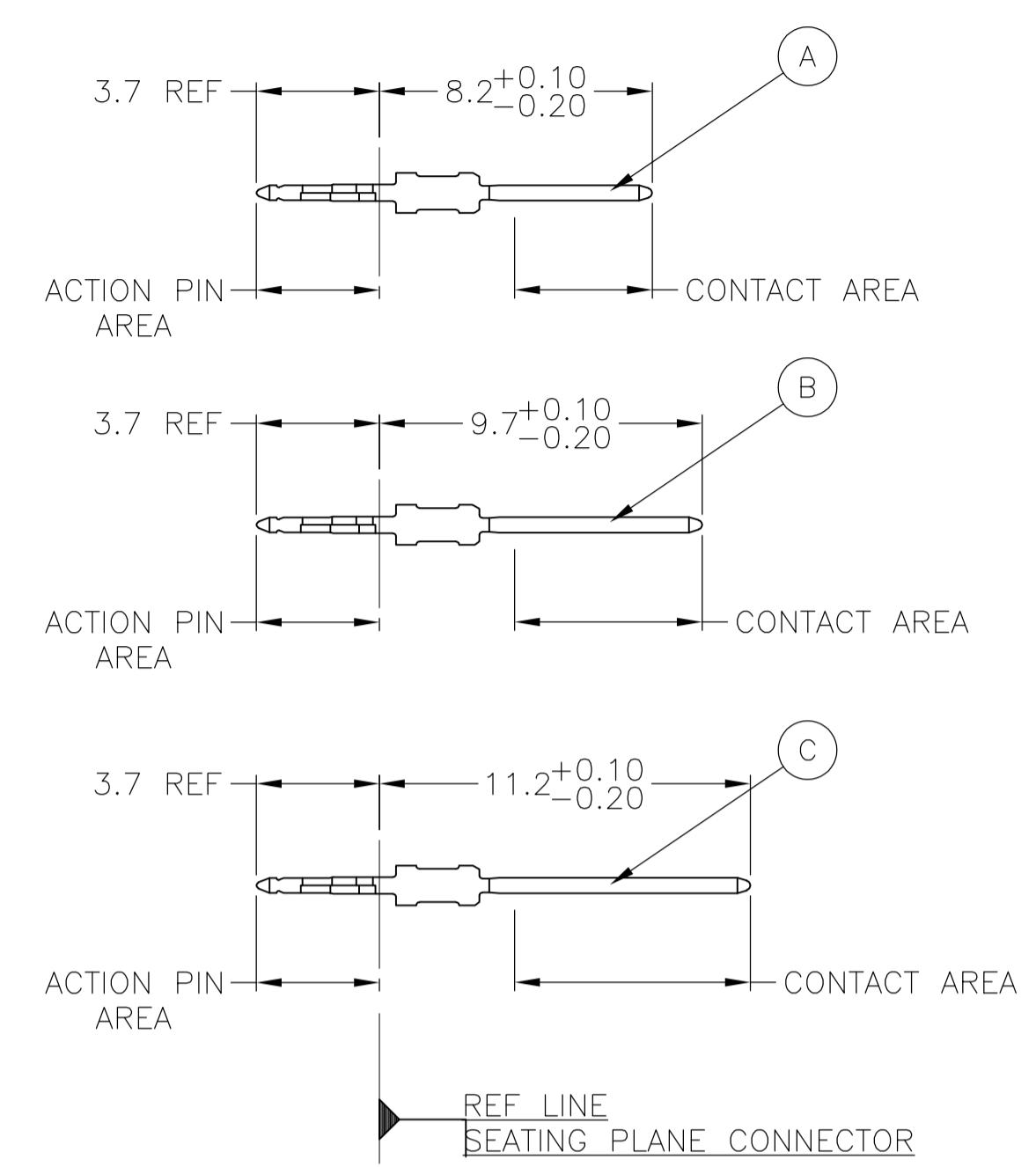


LOC		DIST		REVISIONS			
AD	00	P	LTR	DESCRIPTION	DATE	DWN	APVD
		C		ECR-12-007782	26APR12	AZ	AC

### CONNECTOR ASSEMBLY EXAMPLARY LOADED $\triangle 8$



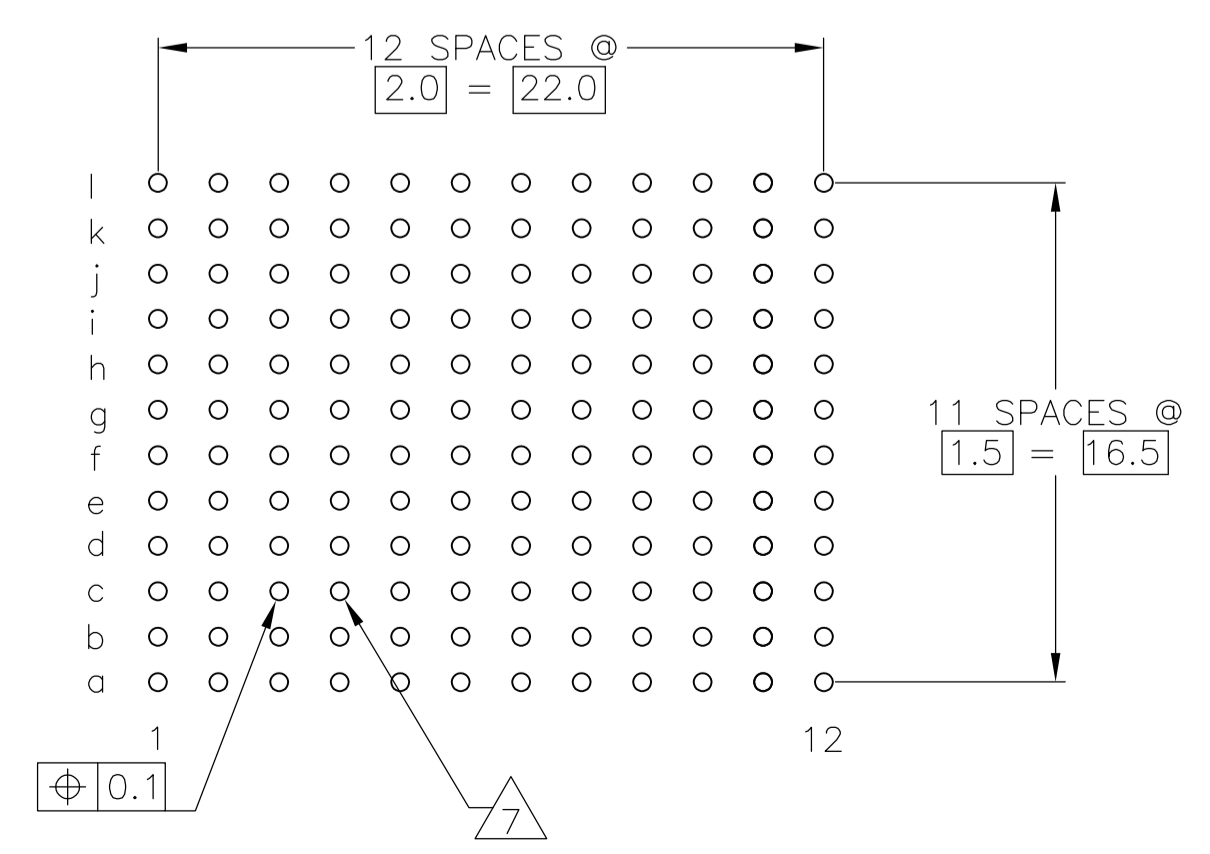
### CONTACT DIMENSIONS SCALE 5:1



### CONTACT LAYOUT

	a	b	c	d	e	f	g	h	i	j	k	l
1	B	B	B	B	C	A	B	C	B	B	B	B
2	B	B	B	B	C	B	B	C	B	B	B	B
3	B	B	B	B	C	B	B	C	B	B	B	B
4	B	B	B	B	C	B	B	C	B	B	B	B
5	B	B	B	B	C	B	B	C	B	B	B	B
6	B	B	B	B	C	B	B	C	B	B	B	B
7	B	B	B	B	C	B	B	C	B	B	B	B
8	B	B	B	B	C	B	B	C	B	B	B	B
9	B	B	B	B	C	B	B	C	B	B	B	B
10	B	B	B	B	C	B	B	C	B	B	B	B
11	B	B	B	B	C	B	B	C	B	B	B	B
12	B	B	B	B	C	B	A	C	B	B	B	B

### RECOMMENDED PCB-HOLE LAYOUT COMPONENT SIDE SHOWN



### PLATED THRU HOLES PARAMETERS REFERENCE APPLICATION SPECIFICATION

$\triangle 2$ $\triangle 6$ $\triangle 11$	1-5120652-9
$\triangle 2$ $\triangle 5$ $\triangle 11$	5120652-9
$\triangle 2$ $\triangle 4$	5120652-4
$\triangle 2$ $\triangle 3$	5120652-1
FINISH	PART NUMBER

THIS DRAWING IS A CONTROLLED DOCUMENT.		DIN B CARBO 26MAY05	Tyco Electronics Corporation	
DIMENSIONS: mm		CIK G SKIPPER 26MAY05	Harrisburg, Pa 17105-3608	
TOLERANCES UNLESS OTHERWISE SPECIFIED:		APVD G SKIPPER 26MAY05	NAME	
0. PLC	± -	PRODUCT SPEC		
1. PLC	± 0.1	108-1738		
2. PLC	± -	APPLICATION SPEC		
3. PLC	± -	114-1132		
4. PLC	± -	SIZE CAGE CODE DRAWING NO		
ANGLES	± -	A1 00779 C=5120652		
MATERIAL $\triangle 1$	FINISH SEE TABLE	WEIGHT -	RESTRICTED TO	
		CUSTOMER DRAWING		SCALE 4:1 SHEET 1 OF 2 REV C

- 1 MATERIAL:  
CONTACT: PHOSPHOR BRONZE.  
HOUSING: GLASS-FILLED POLYESTER.
- 2 GENERAL PLATING SPECIFICATION: UNDERPLATING  
(ENTIRE CONTACT): 1.27µm MIN NICKEL AND ACTION  
PIN: 0.5µm MIN TIN.  
FOR PLATING OF MATING SURFACES SEE APPLICABLE  
SPECIFICATION REFERENCE FOR EACH DASH NUMBER.
- 3 CONFORMS TO ALL TESTING ACCORDING TO IEC 61076-4-101  
PERFORMANCE LEVEL 2.
- 4 CONFORMS TO ALL TESTING ACCORDING TO IEC 61076-4-101  
PERFORMANCE LEVEL 1.
- 5 CONNECTOR TESTED AND QUALIFIED AGAINST TELCORDIA GR-1217-CORE QUALITY LEVEL 3,  
CENTRAL OFFICE APPLICATIONS.
- 6 CONNECTOR TESTED AND QUALIFIED AGAINST TELCORDIA GR-1217-CORE QUALITY LEVEL 3,  
UNCONTROLLED ENVIROMENT APPLICATIONS.
- 7 PLATED-THROUGH HOLES AT 2x2mm SQUARE GRID  
PATTERN DEFINED BY CONTACT LAYOUT.
- 8 FOR ACTUAL PIN LOADING SEE "CONTACT LAYOUT".
- 9 FOR ACTUAL PIN DIMENSIONS SEE "CONTACT DIMENSIONS".
- 10 TO BE MEASURED AT BOTTOM OF SHROUD.
- 11 CONNECTOR LUBRICATED WITH BELCORE APPROVED LUBRICANT,  
TECHNICAL REFERENCE: TR-NWT-001217 ISSUE 1, SEP 1992.

THIS DRAWING IS A CONTROLLED DOCUMENT.		DIN E CARBO	26MAY05	<b>tyco</b> Electronics	Tyco Electronics Corporation Harrisburg, Pa 17105-3608	
		CHK G SKIPPER	26MAY05			
DIMENSIONS: mm		TOLERANCES UNLESS OTHERWISE SPECIFIED:		APVD G SKIPPER	NAME MALE ASSEMBLY, Z-PACK 2mm HM, TYPE B, 12 ROW	
		0 PLC	± -	PRODUCT SPEC	108-1738	
		1 PLC	± 0.1	APPLICATION SPEC	114-1132	
MATERIAL SEE SHEET 1		FINISH SEE SHEET 1		WEIGHT	A1 00779 C=5120652	
CUSTOMER DRAWING				SCALE	4:1 SHEET 2 OF 2 REV C	