



Chipsmall Limited consists of a professional team with an average of over 10 year of expertise in the distribution of electronic components. Based in Hongkong, we have already established firm and mutual-benefit business relationships with customers from,Europe,America and south Asia,supplying obsolete and hard-to-find components to meet their specific needs.

With the principle of “Quality Parts,Customers Priority,Honest Operation,and Considerate Service”,our business mainly focus on the distribution of electronic components. Line cards we deal with include Microchip,ALPS,ROHM,Xilinx,Pulse,ON,Everlight and Freescale. Main products comprise IC,Modules,Potentiometer,IC Socket,Relay,Connector.Our parts cover such applications as commercial,industrial, and automotives areas.

We are looking forward to setting up business relationship with you and hope to provide you with the best service and solution. Let us make a better world for our industry!



## Contact us

Tel: +86-755-8981 8866 Fax: +86-755-8427 6832

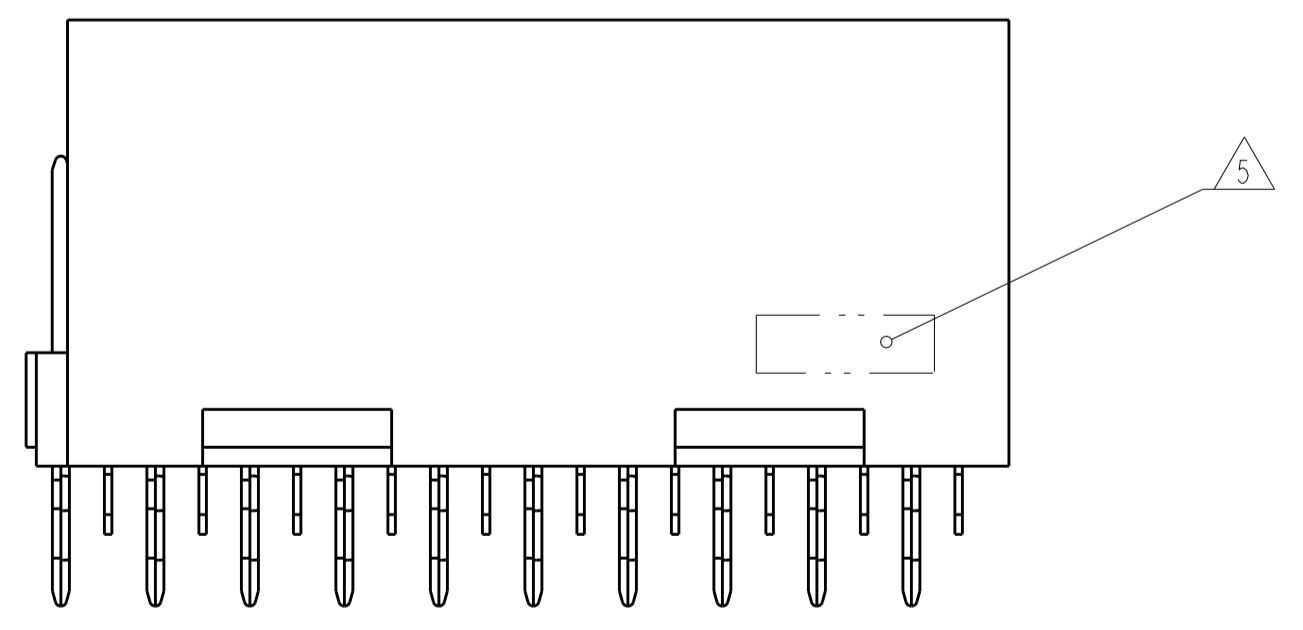
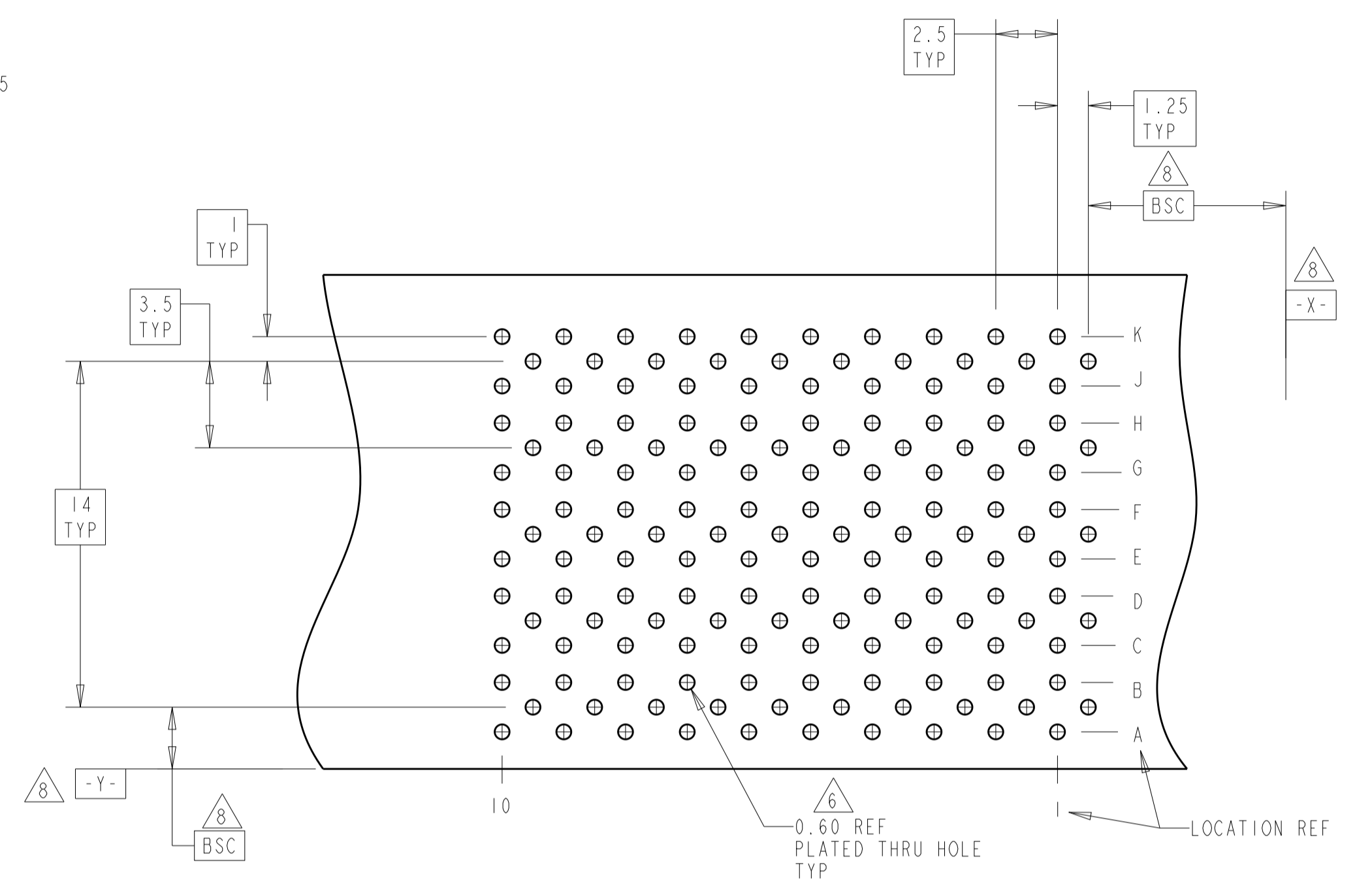
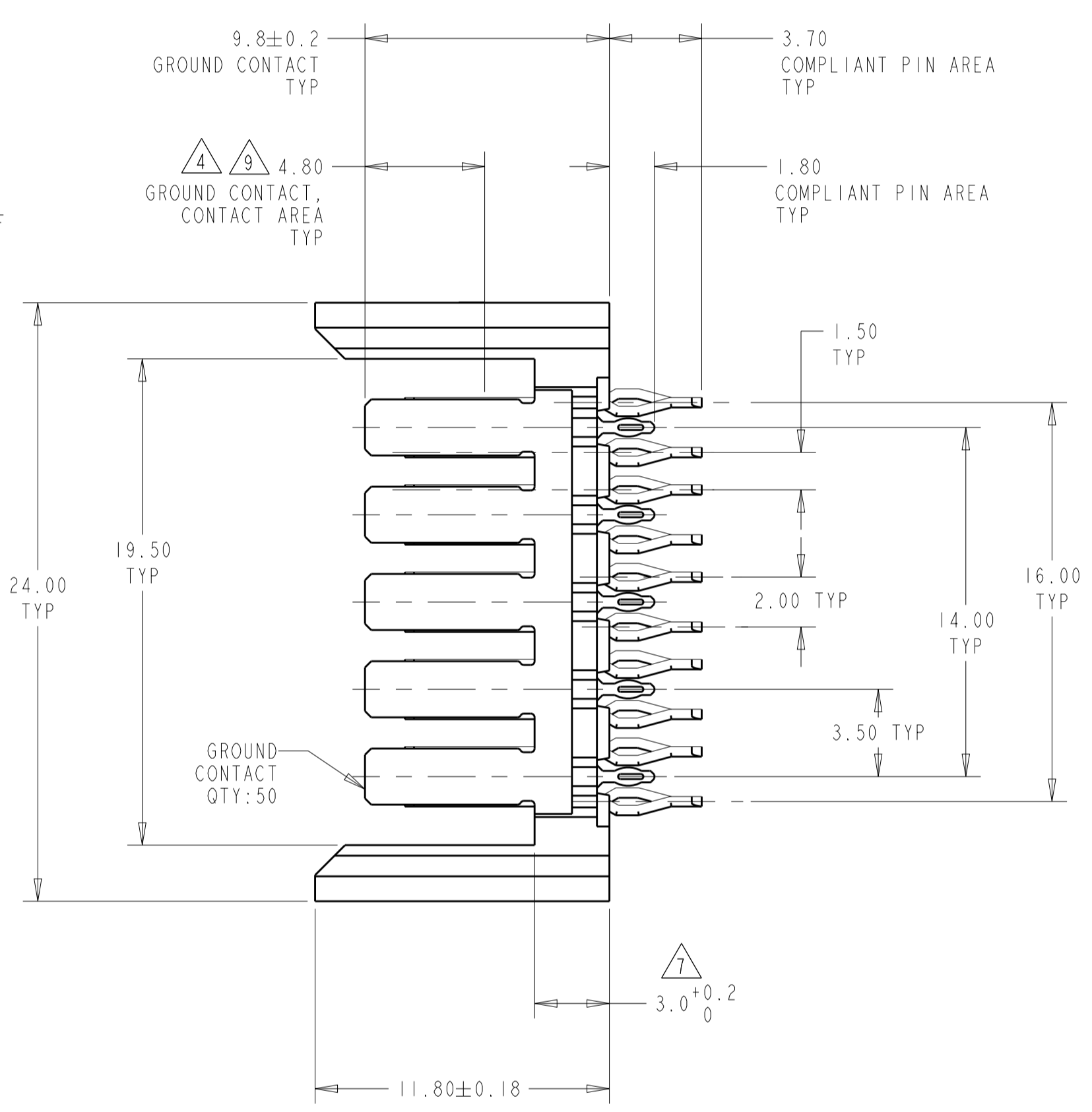
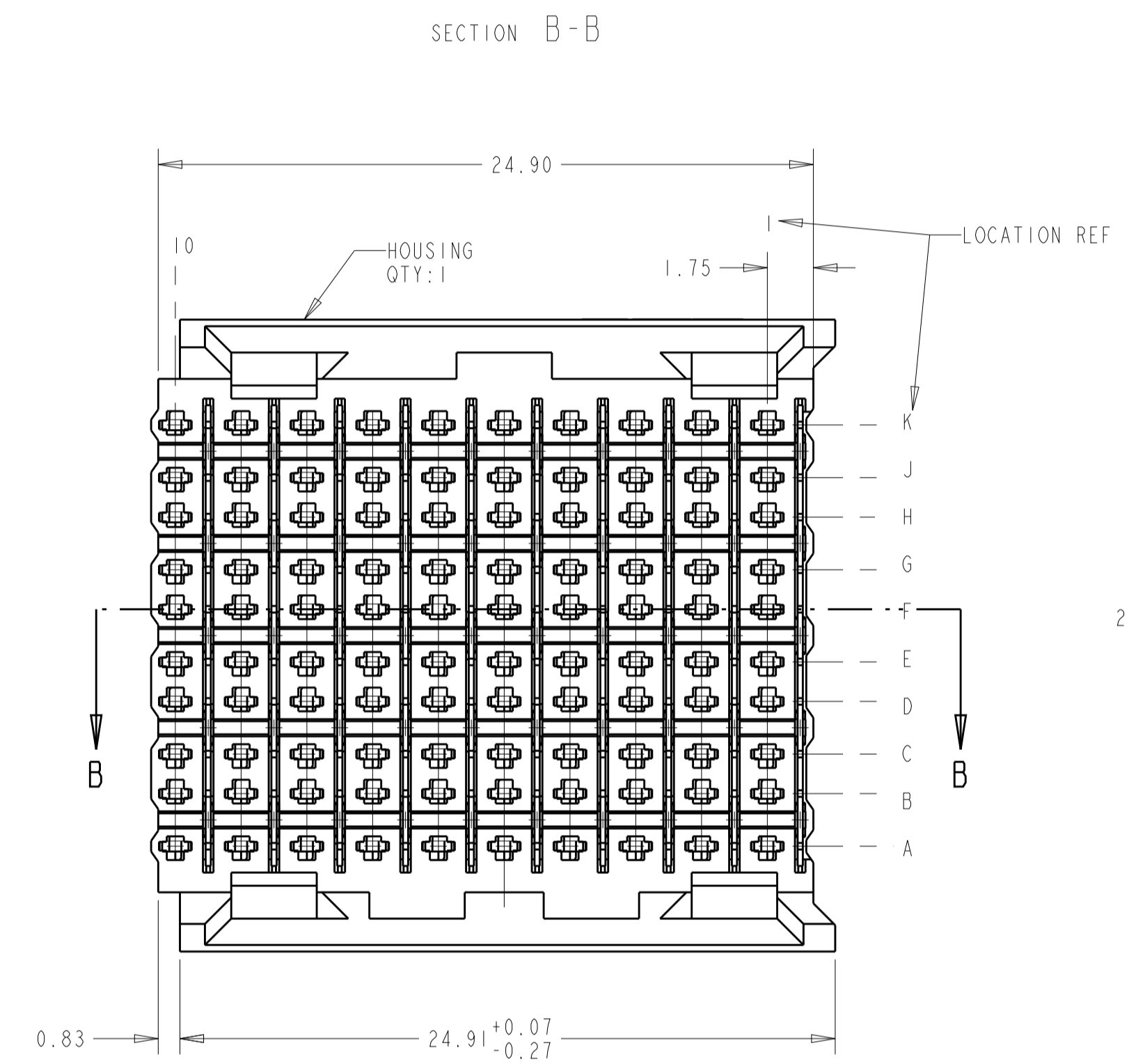
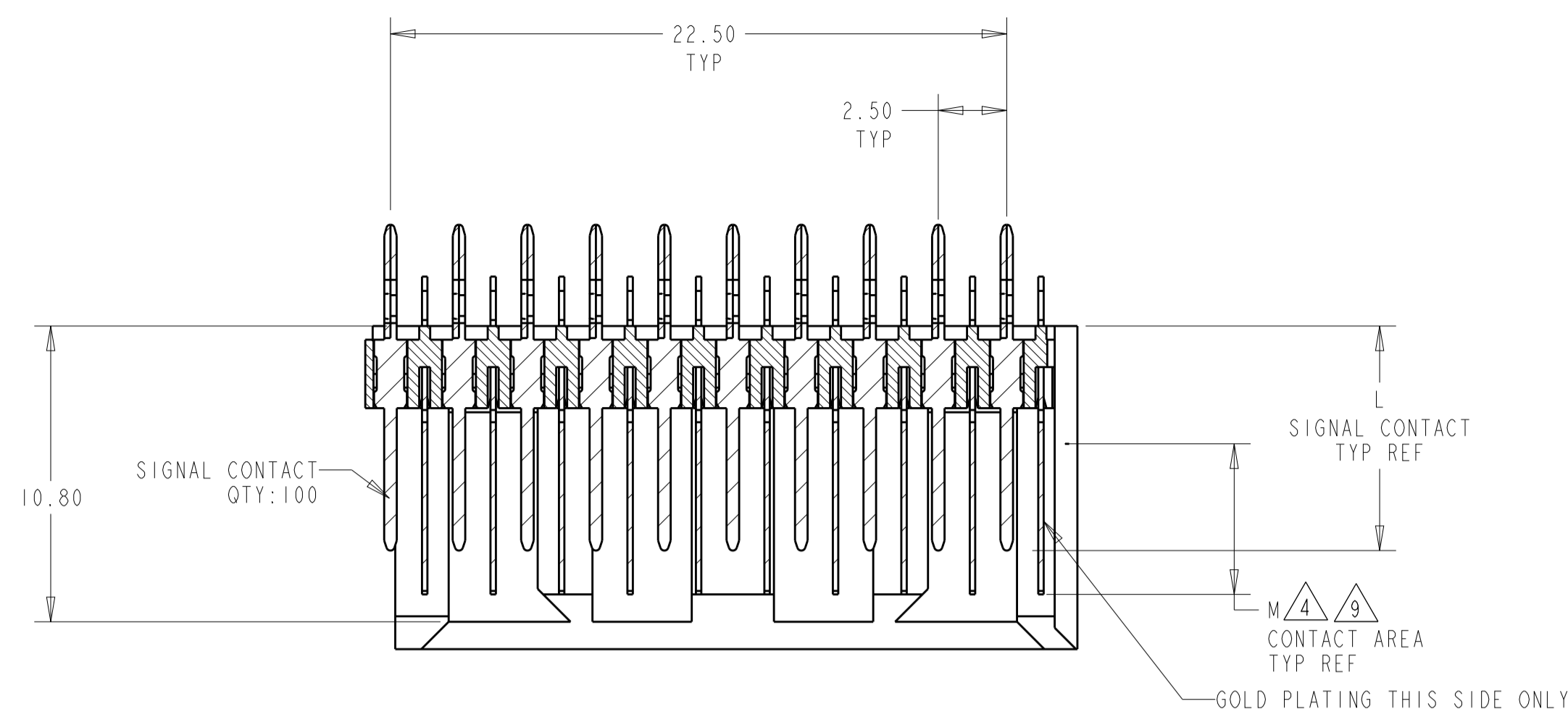
Email & Skype: info@chipsmall.com Web: www.chipsmall.com

Address: A1208, Overseas Decoration Building, #122 Zhenhua RD., Futian, Shenzhen, China



LOC	DIST	REV	DATE	BY	CHK	APP'D
AD	00	B1	29AUG2012	KH	JE	

- 2 PHOSPHOR BRONZE
- 3 LCP, UL94V-0
- 4 FINISH:  
CONTACT MATING AREA MEETS THE PERFORMANCE REQUIREMENTS OF  
TE CONNECTIVITY PRODUCT SPECIFICATION 108-1957; BASED ON  
TELCORDIA GR-1217-CORE, APPLICATIONS IN UNCONTROLLED ENVIRONMENTS.  
COMPLIANT PIN AREA: 0.5µm MIN MATTE TIN OVER BASE PLATING.
- 5 CONNECTOR MARKED WITH PART NUMBER AND DATE CODE
- 6 REFERENCE APPLICATION SPEC 114-13020 FOR RECOMMENDED  
PLATED THRU HOLE DIAMETER AND PLATING THICKNESS.
- 7 APPLICATION SEATING HEIGHT TO PRINTED CIRCUIT BOARD
- 8 DATUMS AND BASIC DIMENSIONS ESTABLISHED BY CUSTOMER
- 9 CONTACT AREA LUBRICATED WITH BELLCORE APPROVED LUBRICANT  
TECHNICAL REFERENCE: GR-1217-CORE, ISSUE 1, NOVEMBER 1995



5.50	9.7	5120658-2
5.50	8.2	5120658-1
M	L	PART NUMBER

THIS DRAWING IS A CONTROLLED DOCUMENT.

DIMENSIONS:	TOLERANCES UNLESS OTHERWISE SPECIFIED:	OWN: B. CARBO 06DEC04	NAME: HEADER ASSEMBLY, 100 POSN, 7-PACK HS3 BACKPLANE CONNECTOR
mm	0 PLC ±	CHK: R. PATTERSON 06DEC04	SIZE: A1
	1 PLC ±	APP'D: R. PATTERSON 06DEC04	CAGE CODE: 00779
	2 PLC ±0.13	PRODUCT SPEC:	DRAWING NO: 5120658
	3 PLC ±0.05	APPLICATION SPEC:	RESTRICTED TO:
	4 PLC ±	WEIGHT:	SCALE: 5:1
	ANGLES ±	CUSTOMER DRAWING	SHEET 1 OF 1
MATERIAL:	FINISH:		REV: B1
HOUSING: 3			
CONTACTS: 2	SIGNAL CONTACT: 4		