



Chipsmall Limited consists of a professional team with an average of over 10 year of expertise in the distribution of electronic components. Based in Hongkong, we have already established firm and mutual-benefit business relationships with customers from,Europe,America and south Asia,supplying obsolete and hard-to-find components to meet their specific needs.

With the principle of “Quality Parts,Customers Priority,Honest Operation,and Considerate Service”,our business mainly focus on the distribution of electronic components. Line cards we deal with include Microchip,ALPS,ROHM,Xilinx,Pulse,ON,Everlight and Freescale. Main products comprise IC,Modules,Potentiometer,IC Socket,Relay,Connector.Our parts cover such applications as commercial,industrial, and automotives areas.

We are looking forward to setting up business relationship with you and hope to provide you with the best service and solution. Let us make a better world for our industry!



Contact us

Tel: +86-755-8981 8866 Fax: +86-755-8427 6832

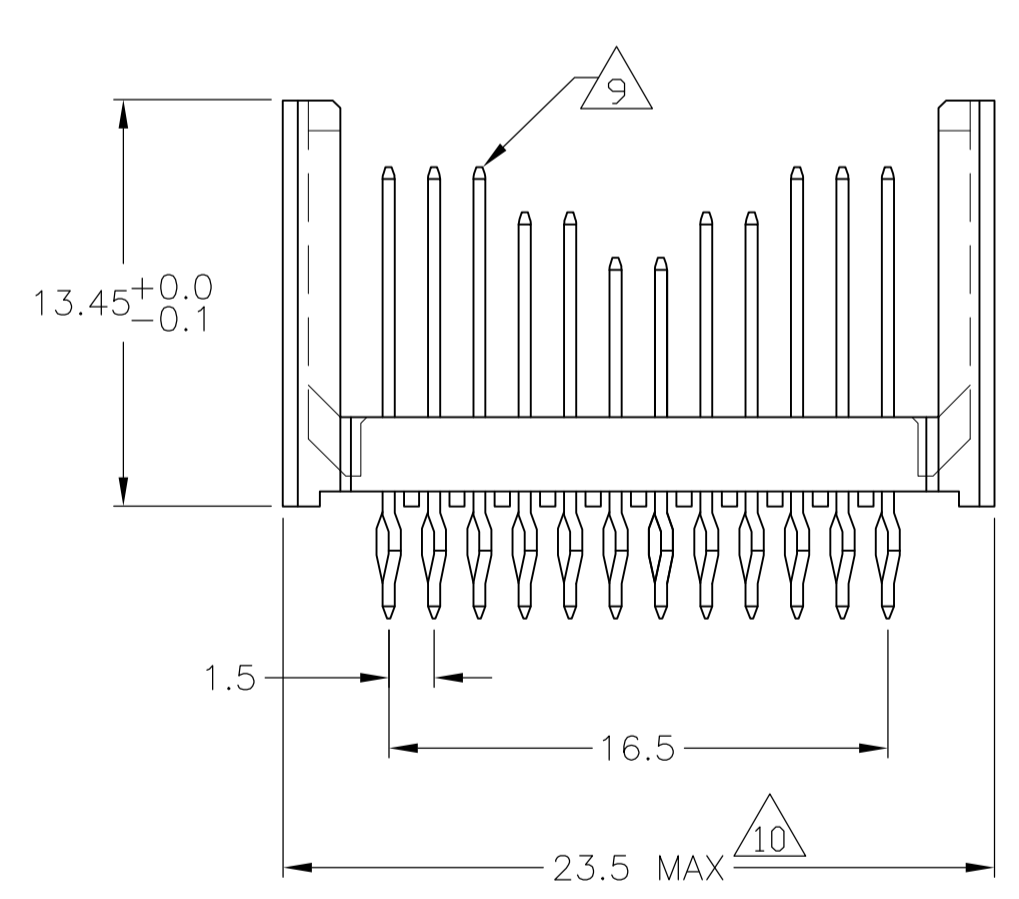
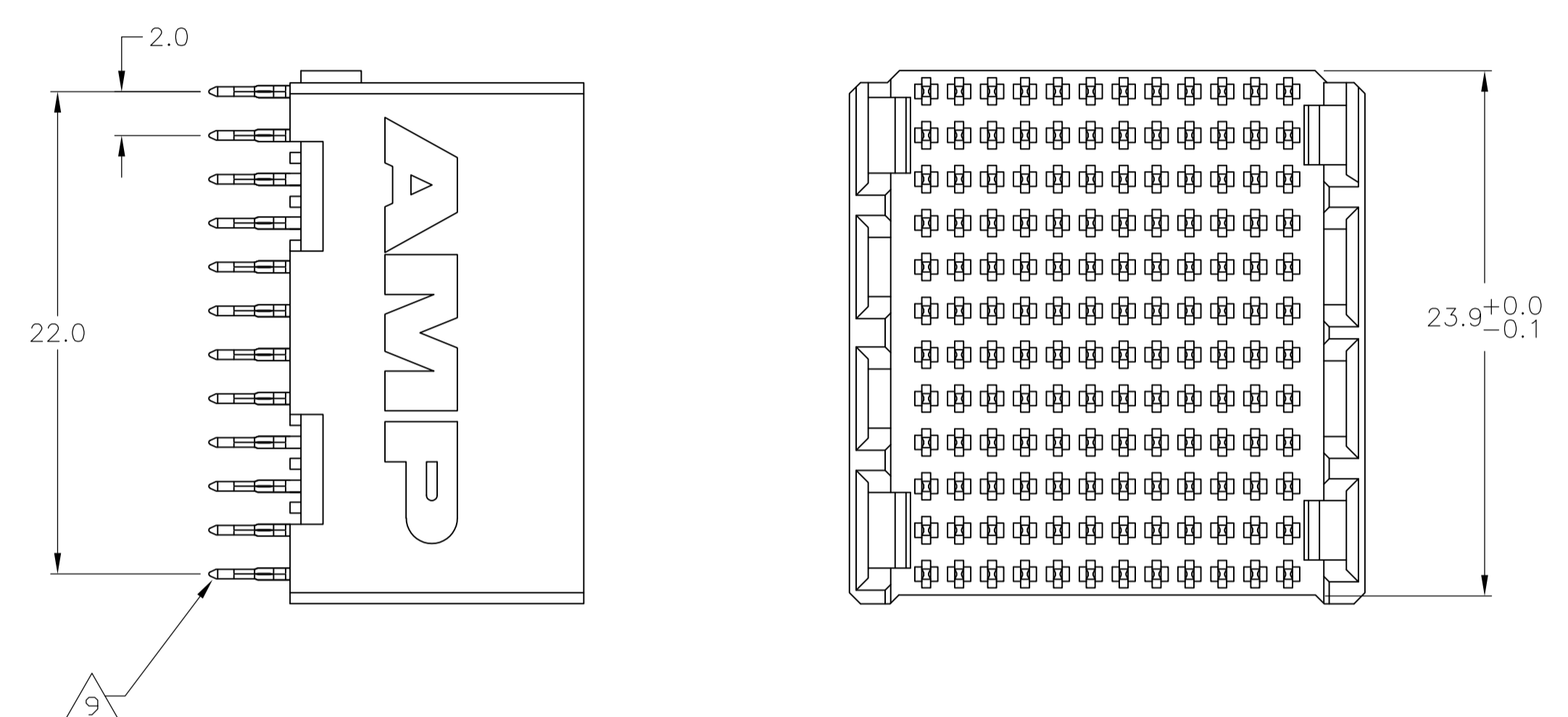
Email & Skype: info@chipsmall.com Web: www.chipsmall.com

Address: A1208, Overseas Decoration Building, #122 Zhenhua RD., Futian, Shenzhen, China

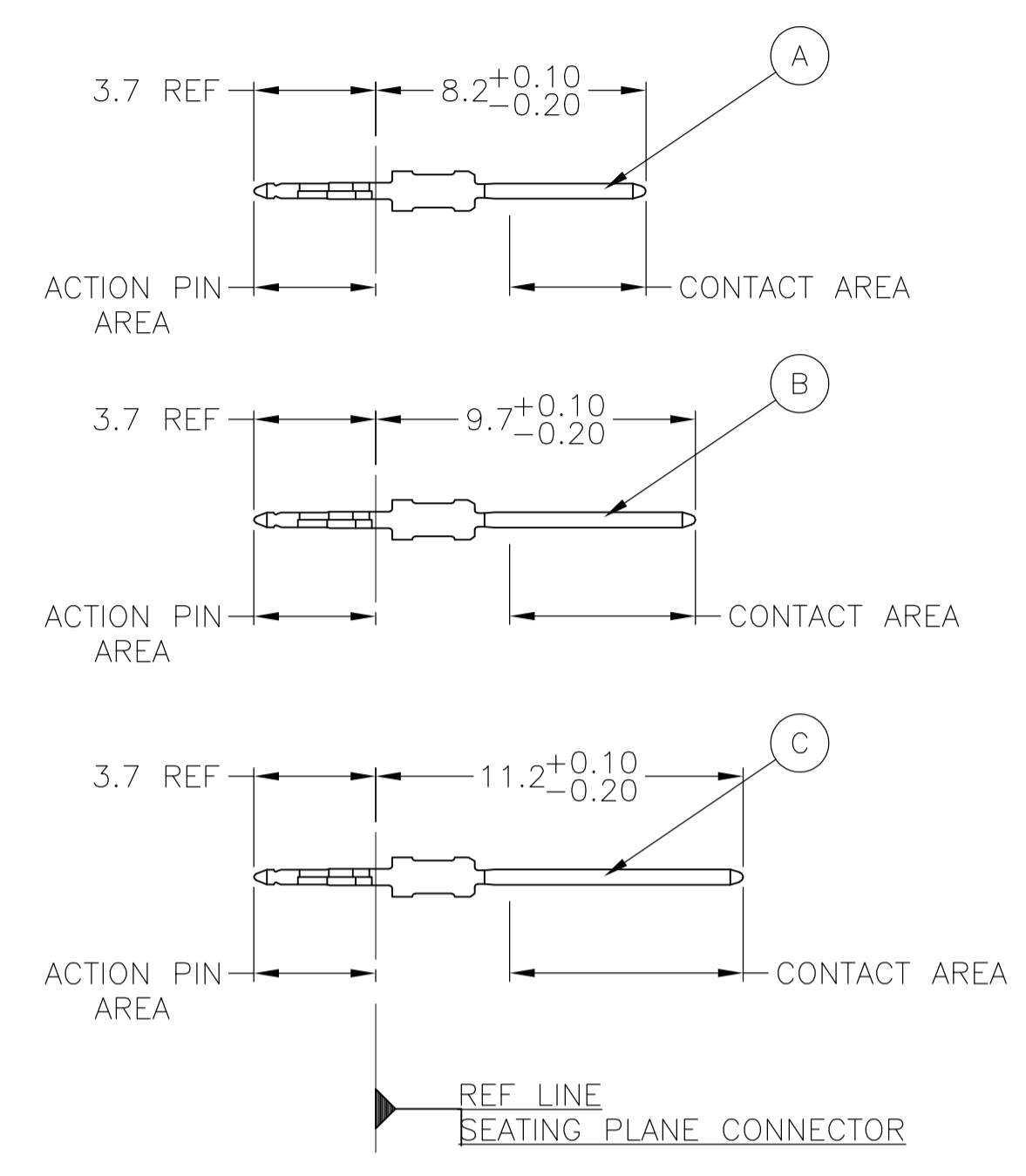


LOC		DIST		REVISIONS			
AD	00	REV	DESCRIPTION	DATE	BY	APPV	
B		REV PER	ECO-06-02168	10JAN07	DKH	GS	
C		ECR-10-019054		15SEP10	DP	MQW	

**CONNECTOR ASSEMBLY
EXAMPLARY LOADED**



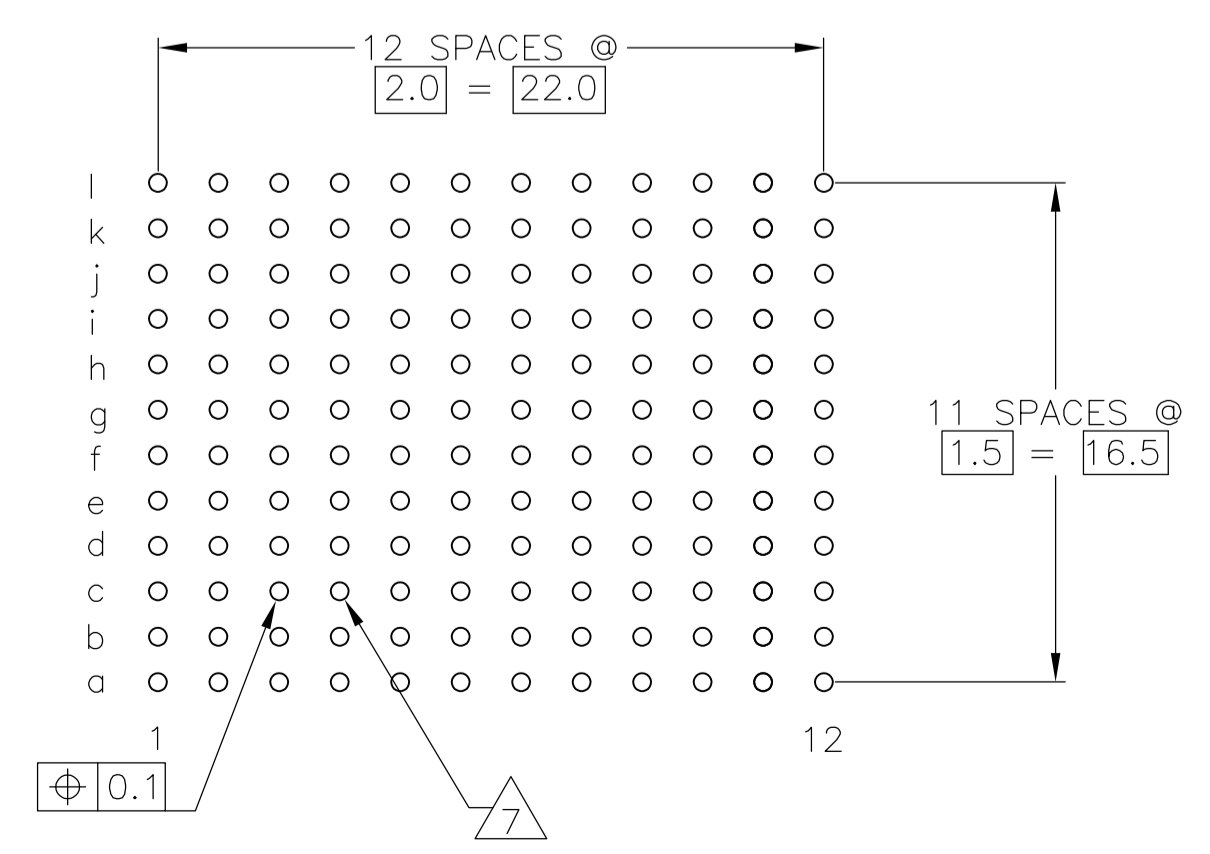
CONTACT DIMENSIONS
SCALE 5:1



CONTACT LAYOUT

	a	b	c	d	e	f	g	h	i	j	k	l
1	C	C	C	B	B	A	A	B	B	C	C	C
2	C	C	C	B	B	A	A	B	B	C	C	C
3	C	C	C	B	B	A	A	B	B	C	C	C
4	C	C	C	B	B	A	A	B	B	C	C	C
5	C	C	C	B	B	A	A	B	B	C	C	C
6	C	C	C	B	B	A	A	B	B	C	C	C
7	C	C	C	B	B	A	A	B	B	C	C	C
8	C	C	C	B	B	A	A	B	B	C	C	C
9	C	C	C	B	B	A	A	B	B	C	C	C
10	C	C	C	B	B	A	A	B	B	C	C	C
11	C	C	C	B	B	A	A	B	B	C	C	C
12	C	C	C	B	B	A	A	B	B	C	C	C

RECOMMENDED PCB-HOLE LAYOUT
COMPONENT SIDE SHOWN



PLATED THRU HOLES PARAMETERS
REFERENCE APPLICATION SPECIFICATION

$\frac{2}{2} \frac{6}{5} \frac{11}{4}$	1-5120779-9
$\frac{2}{2} \frac{5}{4} \frac{11}{3}$	5120779-9
$\frac{2}{2} \frac{4}{3}$	5120779-4
$\frac{2}{2} \frac{3}{3}$	5120779-1
FINISH	PART NUMBER

THIS DRAWING IS A CONTROLLED DOCUMENT.		DIN B CARBO 02JUN05	Tyco Electronics Corporation Harrisburg, Pa 17105-3608	
DIMENSIONS: mm		CHK G SKIPPER 02JUN05	NAME	
TOLERANCES UNLESS OTHERWISE SPECIFIED:		APVD G SKIPPER 02JUN05	PRODUCT SPEC	
0-PLC ±		108-1738		
1-PLC ± 0.1		APPLICATION SPEC		
2-PLC ±		114-1132		
3-PLC ±		WEIGHT		
4-PLC ±		A1 00779 C=5120779		
ANGLES		CUSTOMER DRAWING		
SEE TABLE		SCALE 4:1 SHEET 1 OF 2 REV C		

LOC	DIST	REVISIONS				
AD	00	REV	DATE	BY	APPV	
		1				
		2				
		3				
		4				
		5				
		6				
		7				
		8				
		9				
		10				
		11				

- 1 MATERIAL:
CONTACT: PHOSPHOR BRONZE.
HOUSING: GLASS-FILLED POLYESTER.
- 2 GENERAL PLATING SPECIFICATION: UNDERPLATING
(ENTIRE CONTACT): 1.27µm MIN NICKEL AND ACTION
PIN: 0.5µm MIN TIN.
FOR PLATING OF MATING SURFACES SEE APPLICABLE
SPECIFICATION REFERENCE FOR EACH DASH NUMBER.
- 3 CONFORMS TO ALL TESTING ACCORDING TO IEC 61076-4-101
PERFORMANCE LEVEL 2.
- 4 CONFORMS TO ALL TESTING ACCORDING TO IEC 61076-4-101
PERFORMANCE LEVEL 1.
- 5 CONNECTOR TESTED AND QUALIFIED AGAINST TELCORDIA GR-1217-CORE QUALITY LEVEL 3,
CENTRAL OFFICE APPLICATIONS.
- 6 CONNECTOR TESTED AND QUALIFIED AGAINST TELCORDIA GR-1217-CORE QUALITY LEVEL 3,
UNCONTROLLED ENVIROMENT APPLICATIONS.
- 7 PLATED-THROUGH HOLES AT 2x2mm SQUARE GRID
PATTERN DEFINED BY CONTACT LAYOUT.
- 8 FOR ACTUAL PIN LOADING SEE "CONTACT LAYOUT".
- 9 FOR ACTUAL PIN DIMENSIONS SEE "CONTACT DIMENSIONS".
- 10 TO BE MEASURED AT BOTTOM OF SHROUD.
- 11 CONNECTOR LUBRICATED WITH BELCORE APPROVED LUBRICANT,
TECHNICAL REFERENCE: TR-NWT-001217 ISSUE 1, SEP 1992.

THIS DRAWING IS A CONTROLLED DOCUMENT.		DIN E CARBO	02JUN05	Tyco Electronics Corporation Harrisburg, Pa 17105-3608	
DIMENSIONS: mm		CIK G SKIPPER	02JUN05	NAME MALE ASSEMBLY, Z-PACK 2mm HM, TYPE B, 12 ROW	
TOLERANCES UNLESS OTHERWISE SPECIFIED:		APVD G SKIPPER	02JUN05	PRODUCT SPEC 108-1738	
0-PLC ±		APPLICATION SPEC 114-1132		SIZE A1	
1-PLC ± 0.1		WEIGHT -		CAGE CODE 00779	
2-PLC ±		CUSTOMER DRAWING		DRAWING NO 5120779	
3-PLC ±		SCALE 4:1		SHEET 2 OF 2	
4-PLC ±		RESTRICTED TO -		REV C	
ANGLES					