



Chipsmall Limited consists of a professional team with an average of over 10 year of expertise in the distribution of electronic components. Based in Hongkong, we have already established firm and mutual-benefit business relationships with customers from,Europe,America and south Asia,supplying obsolete and hard-to-find components to meet their specific needs.

With the principle of “Quality Parts,Customers Priority,Honest Operation,and Considerate Service”,our business mainly focus on the distribution of electronic components. Line cards we deal with include Microchip,ALPS,ROHM,Xilinx,Pulse,ON,Everlight and Freescale. Main products comprise IC,Modules,Potentiometer,IC Socket,Relay,Connector.Our parts cover such applications as commercial,industrial, and automotives areas.

We are looking forward to setting up business relationship with you and hope to provide you with the best service and solution. Let us make a better world for our industry!



Contact us

Tel: +86-755-8981 8866 Fax: +86-755-8427 6832

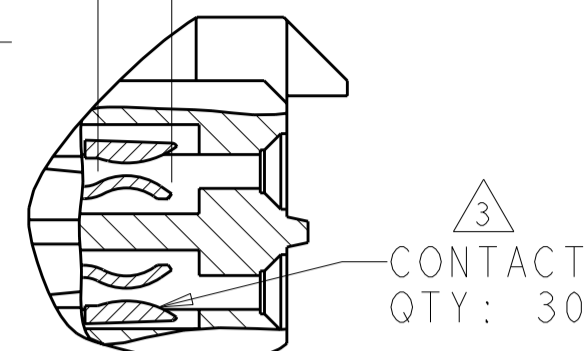
Email & Skype: info@chipsmall.com Web: www.chipsmall.com

Address: A1208, Overseas Decoration Building, #122 Zhenhua RD., Futian, Shenzhen, China

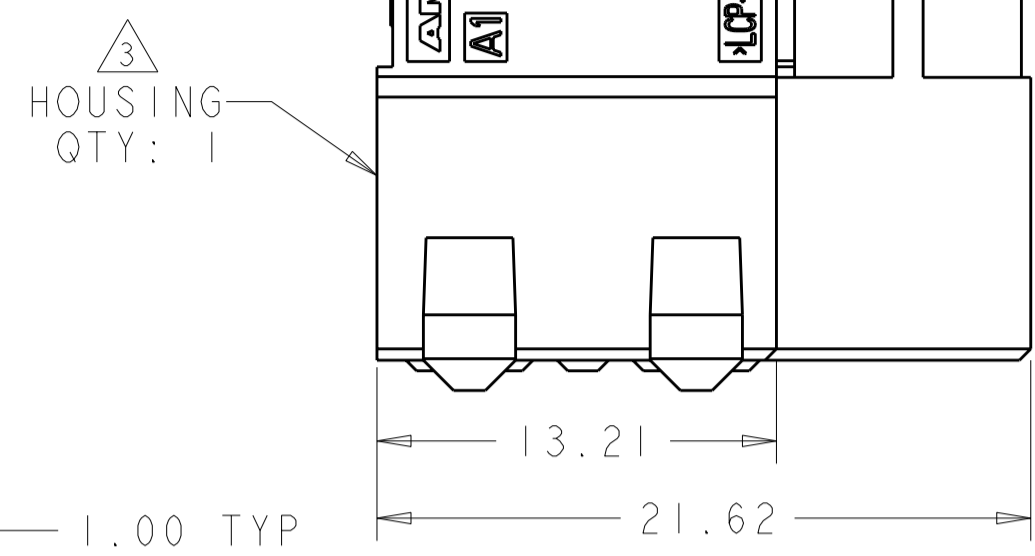


LOC		DIST		REVISIONS			
P	LTR	DESCRIPTION	DATE	DWN	APVD		
	A	REVISED PER ECO-11-013132	13JUL2011	HMR	MH		

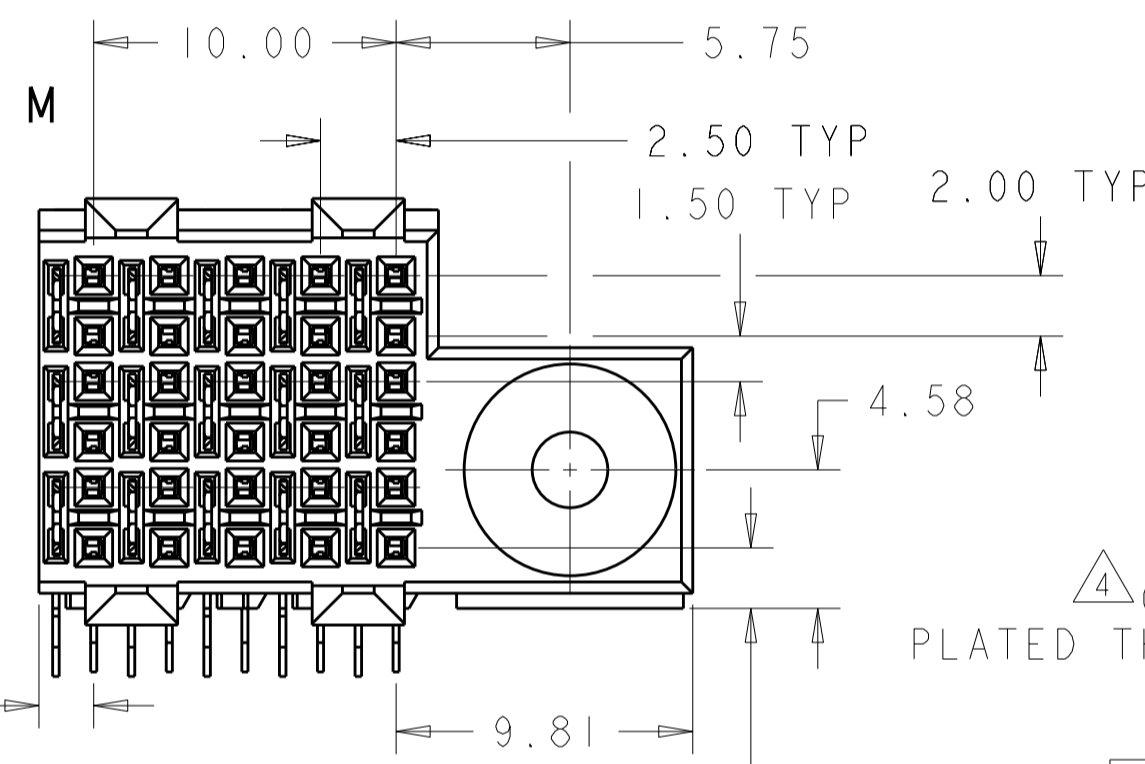
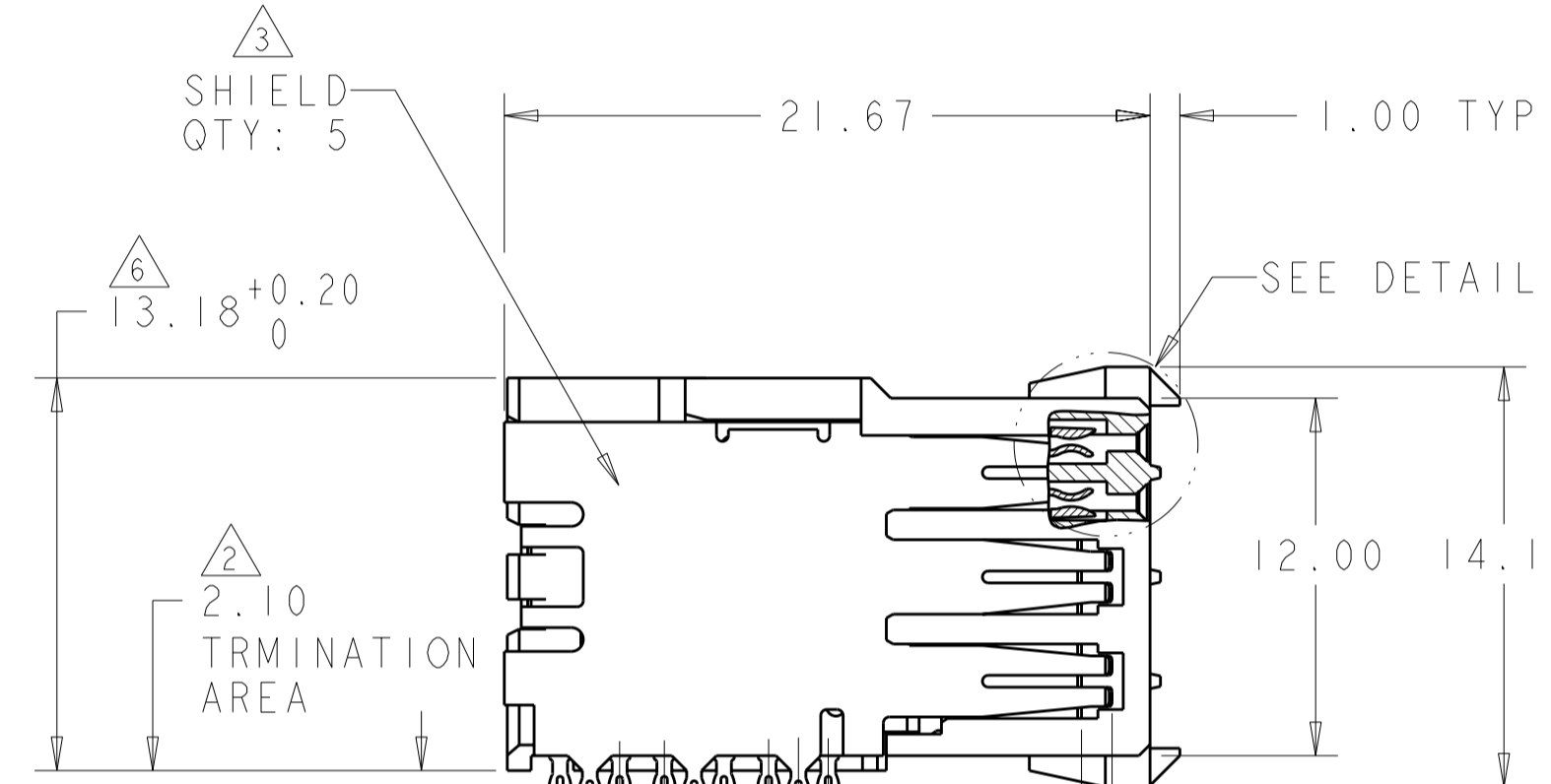
CONTACT AREA TYPICAL



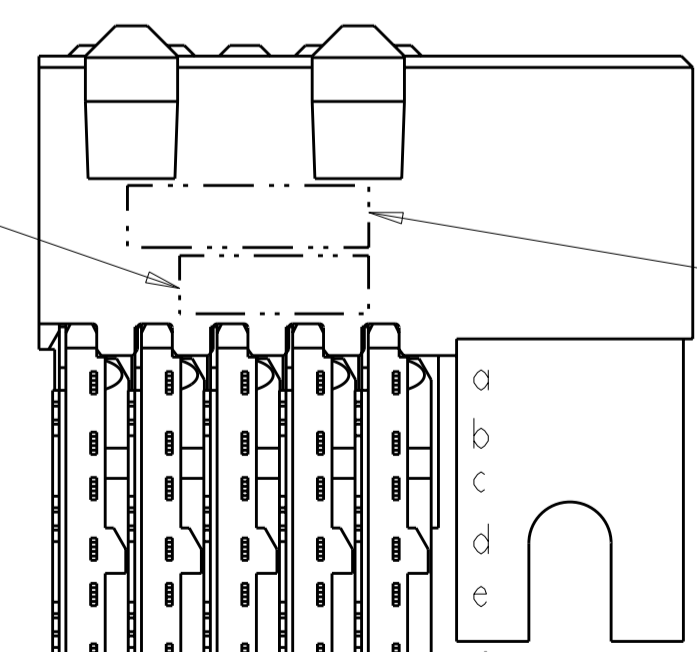
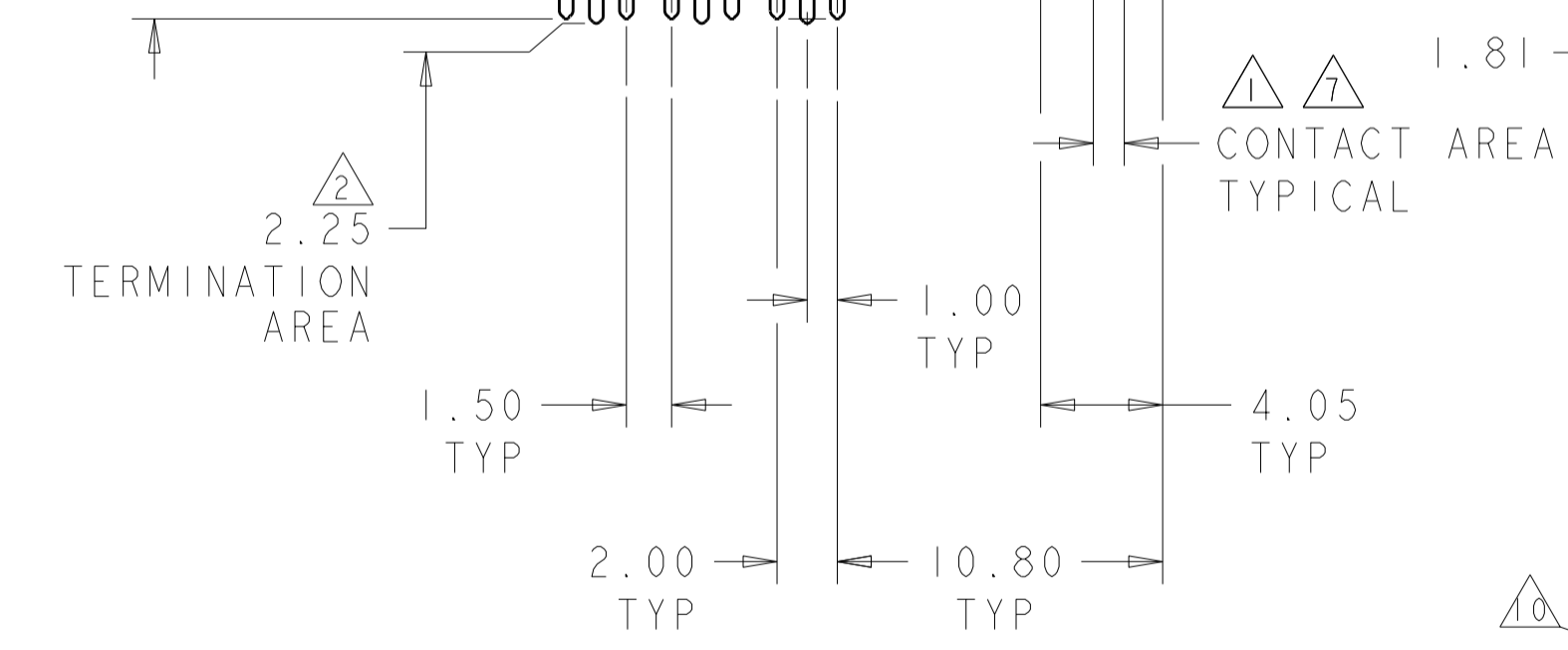
DETAIL M
SCALE 8:1



HOUSING QTY: 1



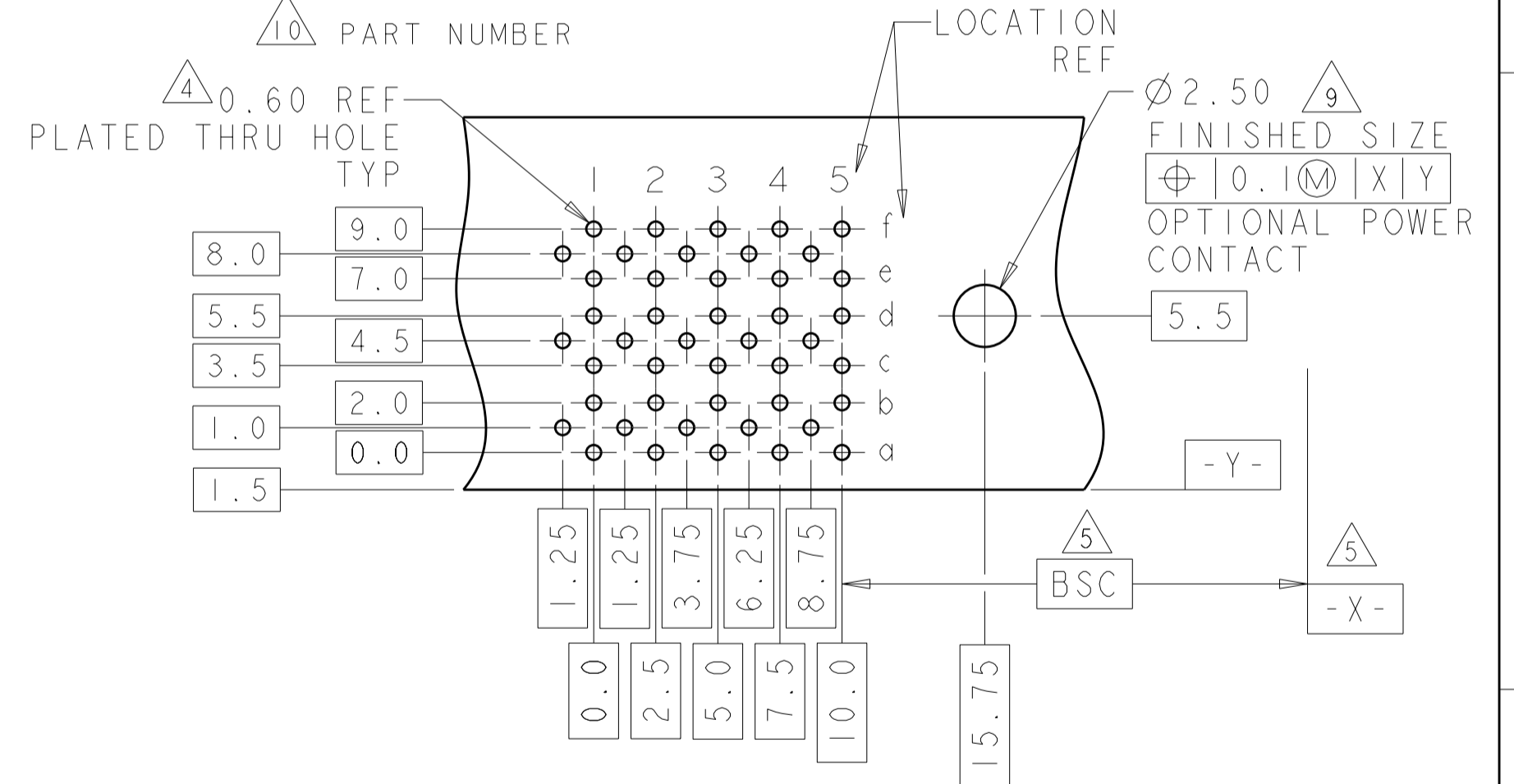
2.00 DISTANCE FROM ROW "a" TO BOARD SURFACE



CHICKLET QTY: 5

LOCATION REF

- 1 CONTACT MATING AREA MEETS THE PERFORMANCE REQUIREMENTS OF TE CONNECTIVITY PRODUCT SPECIFICATION 108-1957; BASED ON TELCORDIA GR-1217-CORE, APPLICATIONS IN UNCONTROLLED ENVIRONMENTS.
- 2 0.76µm MIN TIN OVER 1.27µm MIN NICKEL
- 3 MATERIAL:
CONTACT - COPPER ALLOY
SHIELD - PHOSPHOR BRONZE
HOUSING - LCP, UL94V-0
CHICKLET - GLASS FILLED POLYESTER
- 4 REFERENCE APPLICATION SPEC 114-13020 FOR RECOMMENDED PLATED THRU HOLE DIAMETER AND PLATING THICKNESS.
- 5 DATUM AND BASIC DIMENSION ESTABLISHED BY CUSTOMER.
- 6 SEATING HEIGHT TO BOARD SURFACE.
- 7 CONTACT AREA LUBRICATED WITH BELLCORE APPROVED LUBRICANT. TECHNICAL REFERENCE: GR-1217-CORE, ISSUE 1, NOVEMBER 1995.
- 8 DATE CODE
- 9 OPTIONAL POWER CONTACT PN 535875-X
- 10 PART NUMBER



RECOMMENDED PRINTED CIRCUIT BOARD LAYOUT
 COMPONENT SIDE OF PRINTED CIRCUIT BOARD

5120788-1
 PART NUMBER

THIS DRAWING IS A CONTROLLED DOCUMENT.		DWN B. CARBO 07DEC04	TE Connectivity	
DIMENSIONS: mm		CHK R. PATTERSON 07DEC04		
TOLERANCES UNLESS OTHERWISE SPECIFIED:		APVD R. PATTERSON 07DEC04	NAME RECEPTACLE ASSEMBLY, 30 POSITION RIGHT HAND, 6 ROW, DUAL BEAM, Z-PACK HS3	
0 PLC ±		PRODUCT SPEC 108-1957	SIZE A2	
1 PLC ±		APPLICATION SPEC 114-13020	CAGE CODE 00779	
2 PLC ±0.13		WEIGHT -	DRAWING NO 5120788	
3 PLC ±0.050		RESTRICTED TO -	SCALE 4:1	
4 PLC ±		CUSTOMER DRAWING	SHEET 1 OF 1	
ANGLES ±			REV A	
FINISH				
SOLDER TAIL: 2				
CONTACT: 1				