



Chipsmall Limited consists of a professional team with an average of over 10 year of expertise in the distribution of electronic components. Based in Hongkong, we have already established firm and mutual-benefit business relationships with customers from,Europe,America and south Asia,supplying obsolete and hard-to-find components to meet their specific needs.

With the principle of “Quality Parts,Customers Priority,Honest Operation,and Considerate Service”,our business mainly focus on the distribution of electronic components. Line cards we deal with include Microchip,ALPS,ROHM,Xilinx,Pulse,ON,Everlight and Freescale. Main products comprise IC,Modules,Potentiometer,IC Socket,Relay,Connector.Our parts cover such applications as commercial,industrial, and automotives areas.

We are looking forward to setting up business relationship with you and hope to provide you with the best service and solution. Let us make a better world for our industry!



## Contact us

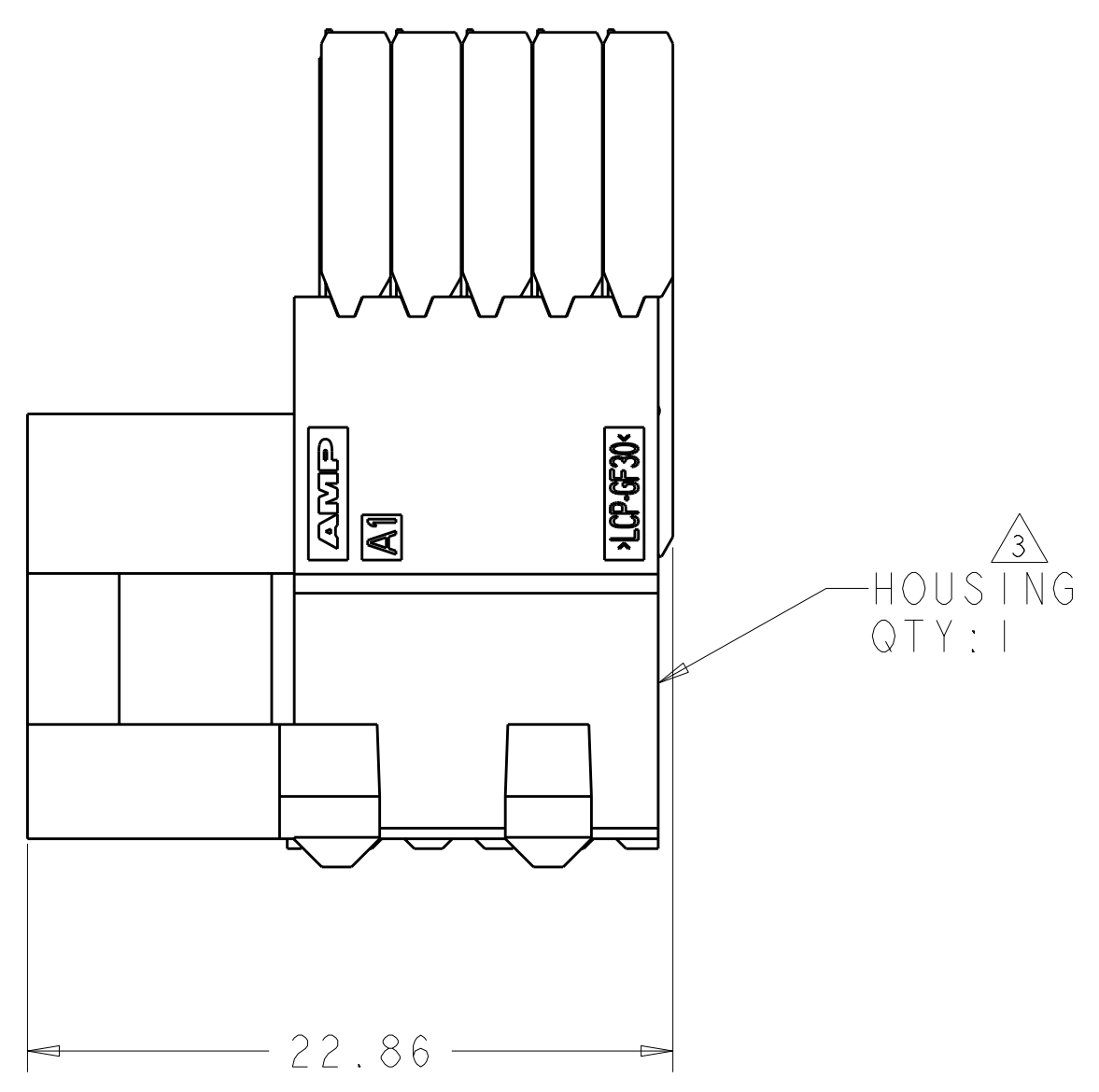
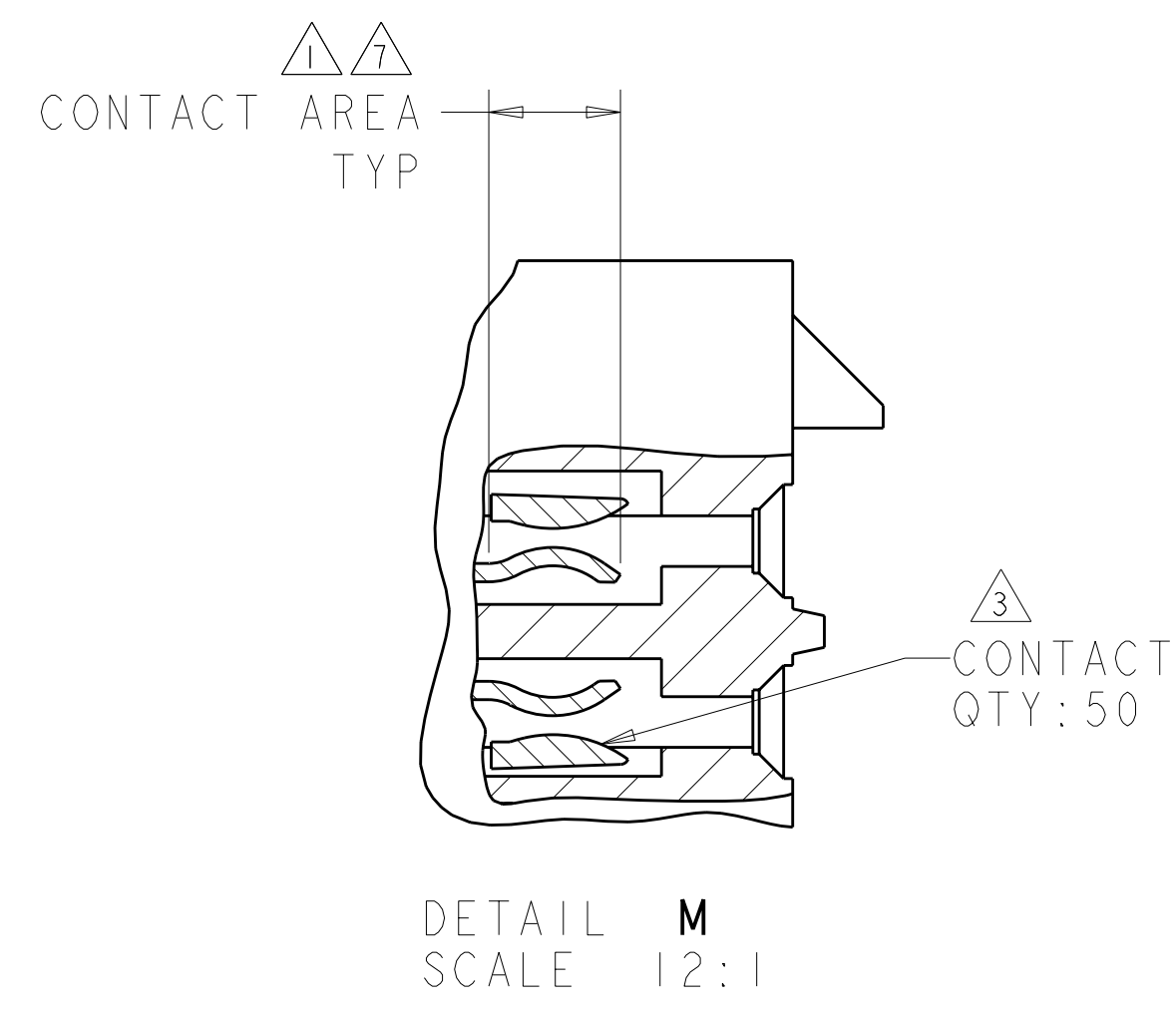
Tel: +86-755-8981 8866 Fax: +86-755-8427 6832

Email & Skype: info@chipsmall.com Web: www.chipsmall.com

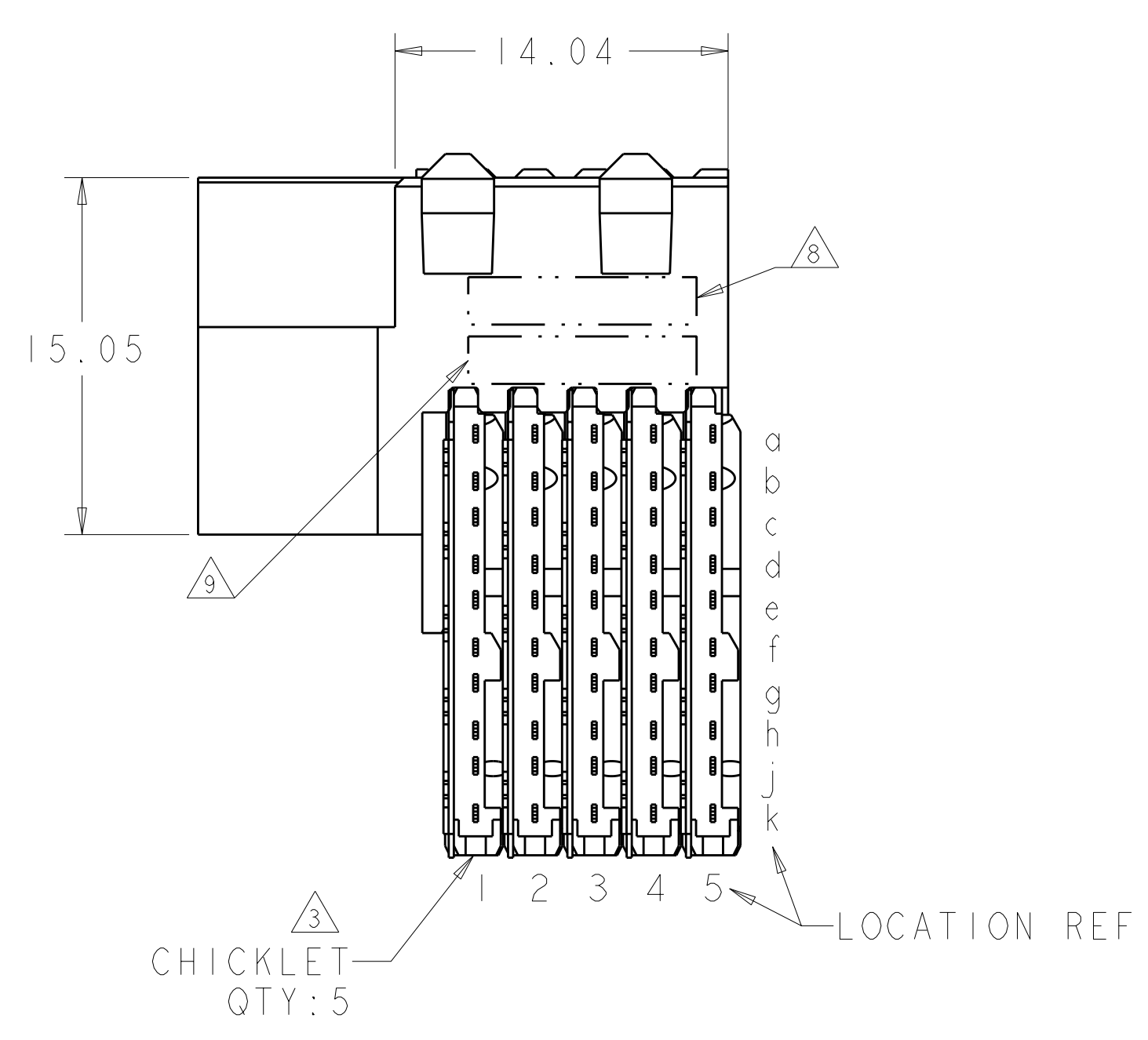
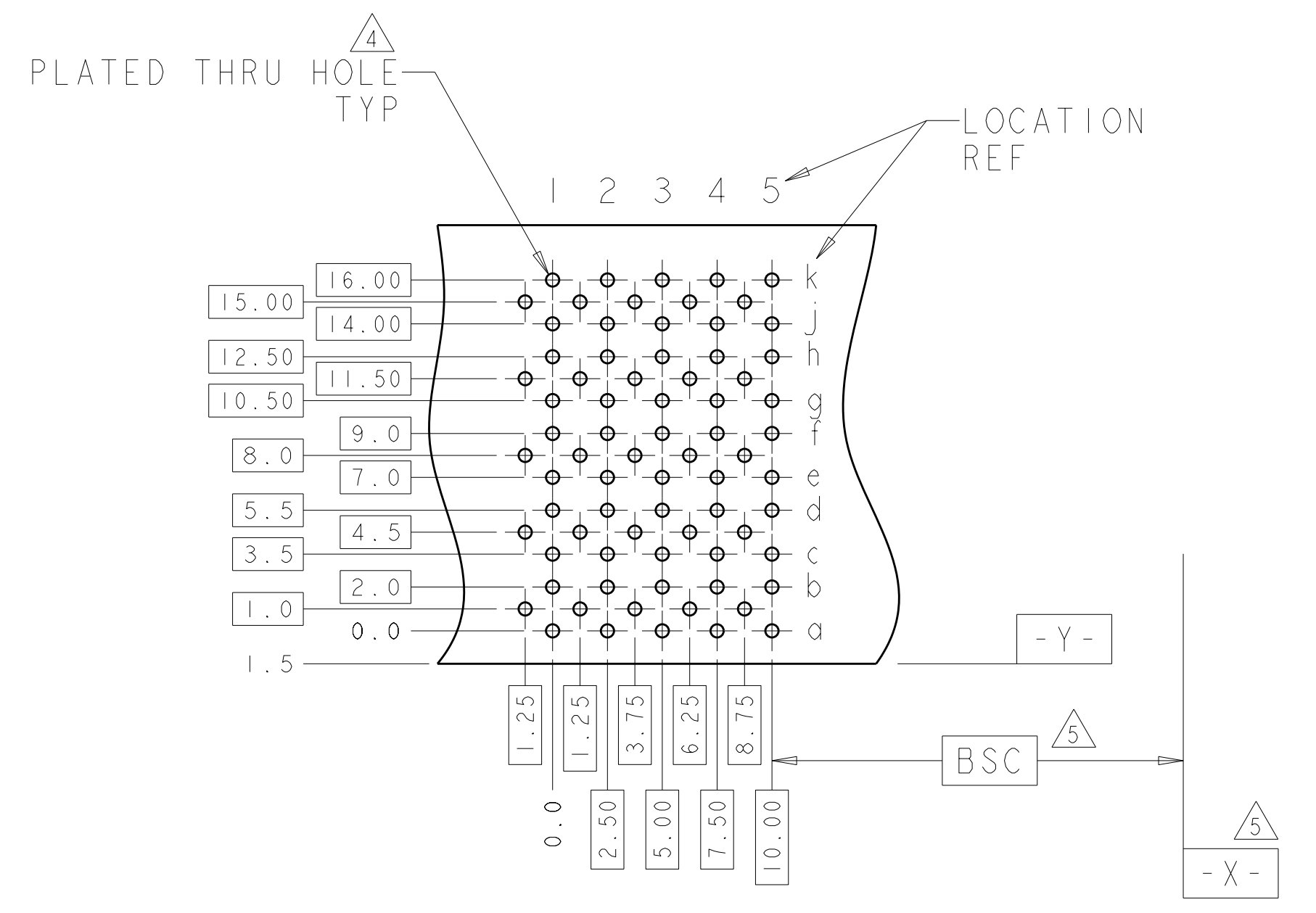
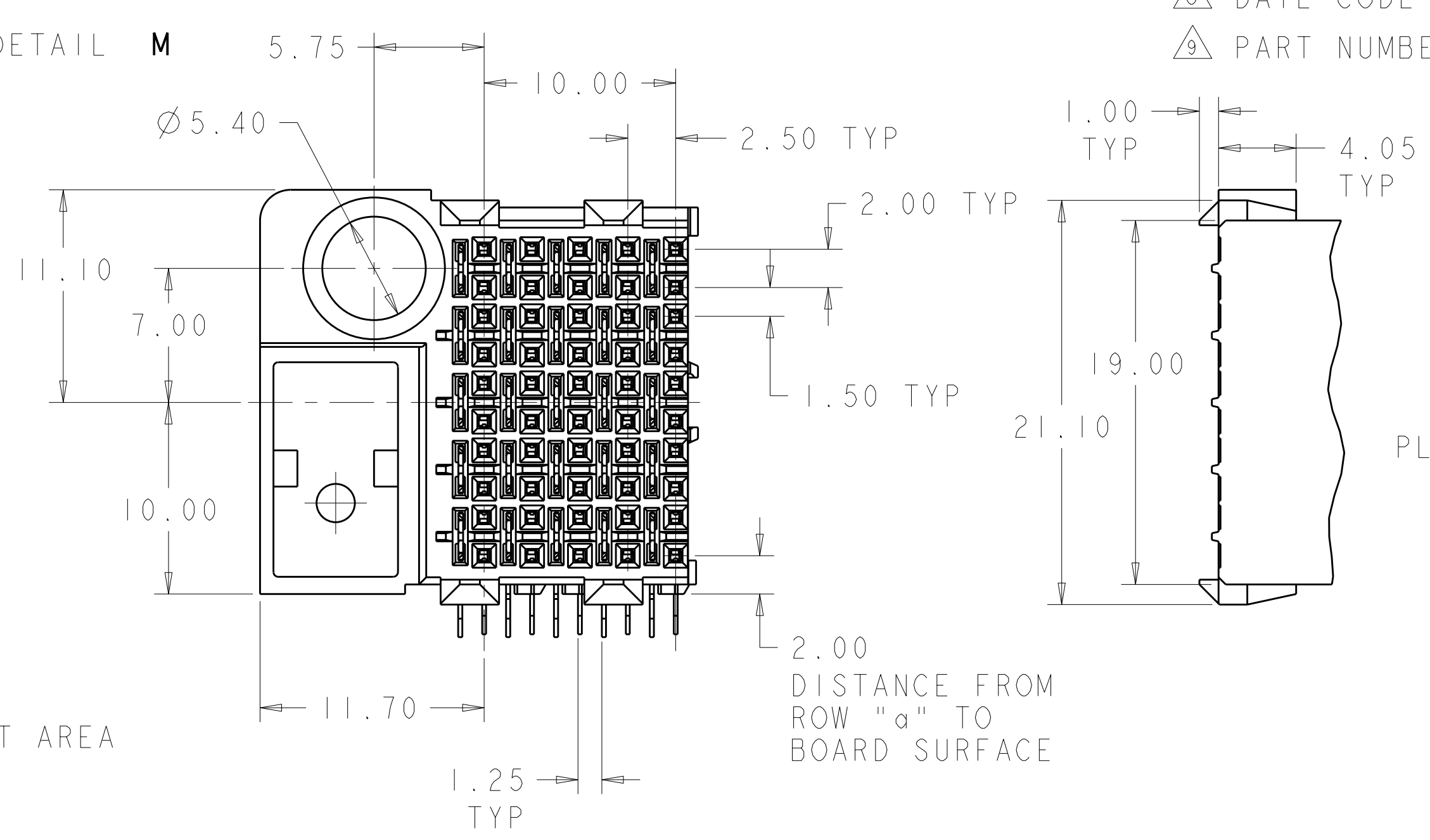
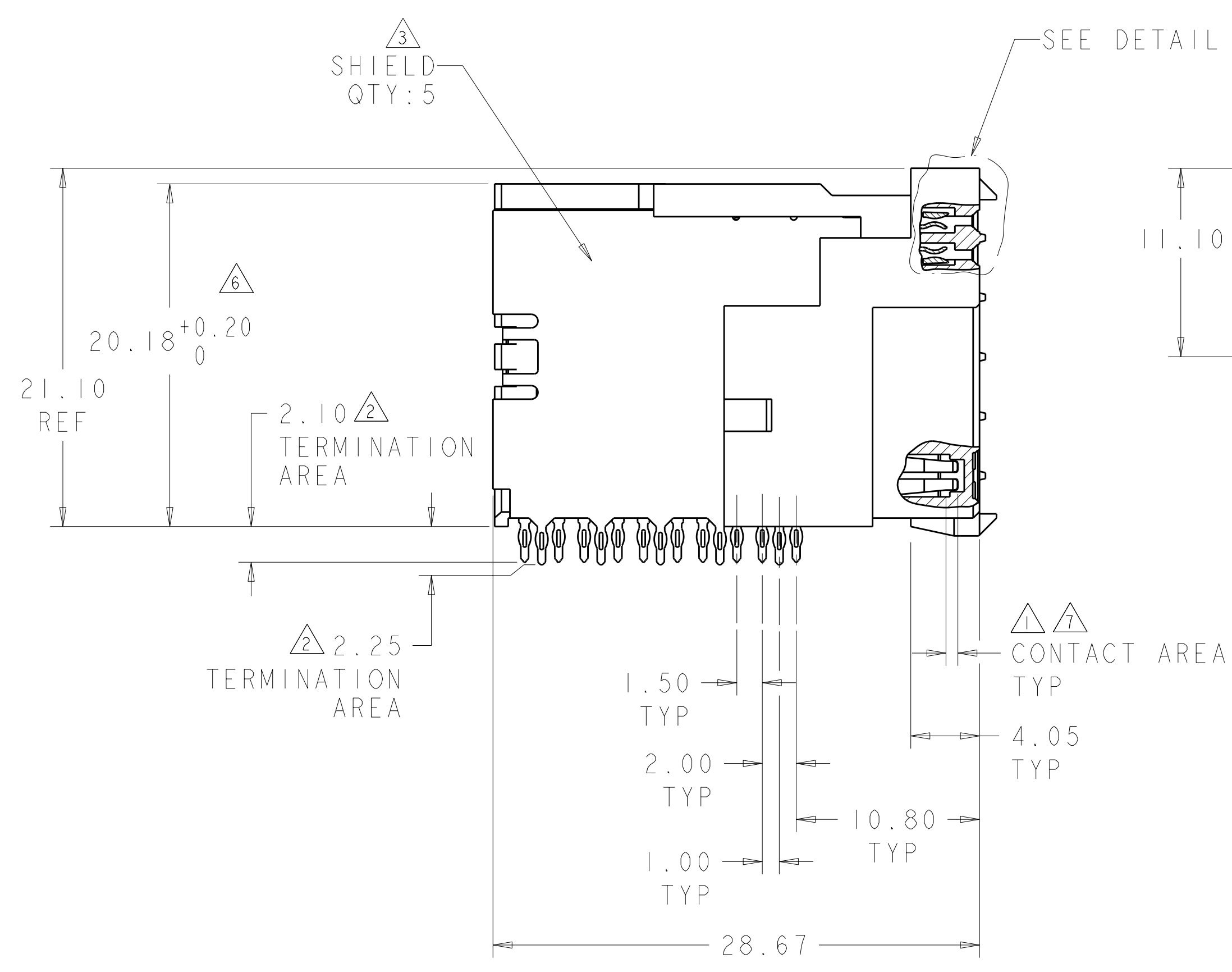
Address: A1208, Overseas Decoration Building, #122 Zhenhua RD., Futian, Shenzhen, China



LOC	DIST	REV	DATE	BY	APPD
AD	00	A	13JUL2011	HMR	MH



- △ CONTACT MATING AREA MEETS THE PERFORMANCE REQUIREMENTS OF TE CONNECTIVITY PRODUCT SPECIFICATION 108-1957; BASED ON TELCORDIA GR-1217-CORE, APPLICATIONS IN UNCONTROLLED ENVIRONMENTS.
- △ 0.76µm MIN TIN OVER 1.27µm MIN NICKEL
- △ MATERIAL: CONTACT - COPPER ALLOY  
SHIELD - PHOSPHOR BRONZE  
HOUSING -LCP, UL94V-0  
CHICKLET - GLASS FILLED POLYESTER
- △ REFERENCE APPLICATION SPEC 114-13020 FOR RECOMMENDED PLATED THRU HOLE DIAMETER AND PLATING THICKNESS.
- △ DATUM AND BASIC DIMENSION ESTABLISHED BY CUSTOMER.
- △ SEATING HEIGHT TO BOARD SURFACE.
- △ CONTACT AREA LUBRICATED WITH BELLCORE APPROVED LUBRICANT. TECHNICAL REFERENCE: GR-1217-CORE, ISSUE 1, NOVEMBER 1995.
- △ DATE CODE
- △ PART NUMBER



RECOMMENDED PRINTED  
 CIRCUIT BOARD LAYOUT  
 COMPONENT SIDE OF PRINTED CIRCUIT BOARD

5120795-1  
 PART NUMBER

THIS DRAWING IS A CONTROLLED DOCUMENT.		OWN: B. CARBO 08DEC04	TE Connectivity
DIMENSIONS: mm		CHK: R. PATTERSON 08DEC04	
TOLERANCES UNLESS OTHERWISE SPECIFIED:		APPD: R. PATTERSON 08DEC04	NAME: RECEPTACLE ASSEMBLY, 50 POSITION, UNIVERSAL GUIDE PIN, LEFT HAND, 10 ROW, DUAL BEAM, Z-PACK HS3
0 PLC ± 1 PLC ±0.2 3 PLC ±0.13 4 PLC ±0.05 ANGLES ±		PRODUCT SPEC: 108-1957	
MATERIAL: SOLDER TAIL: CONTACT		APPLICATION SPEC: 114-13020	SIZE: A100779
FINISH: SOLDER TAIL: CONTACT		WEIGHT: -	DRAWING NO: 5120795
CUSTOMER DRAWING		SCALE: 4:1	SHEET 1 OF 1