



Chipsmall Limited consists of a professional team with an average of over 10 year of expertise in the distribution of electronic components. Based in Hongkong, we have already established firm and mutual-benefit business relationships with customers from,Europe,America and south Asia,supplying obsolete and hard-to-find components to meet their specific needs.

With the principle of “Quality Parts,Customers Priority,Honest Operation,and Considerate Service”,our business mainly focus on the distribution of electronic components. Line cards we deal with include Microchip,ALPS,ROHM,Xilinx,Pulse,ON,Everlight and Freescale. Main products comprise IC,Modules,Potentiometer,IC Socket,Relay,Connector.Our parts cover such applications as commercial,industrial, and automotives areas.

We are looking forward to setting up business relationship with you and hope to provide you with the best service and solution. Let us make a better world for our industry!



Contact us

Tel: +86-755-8981 8866 Fax: +86-755-8427 6832

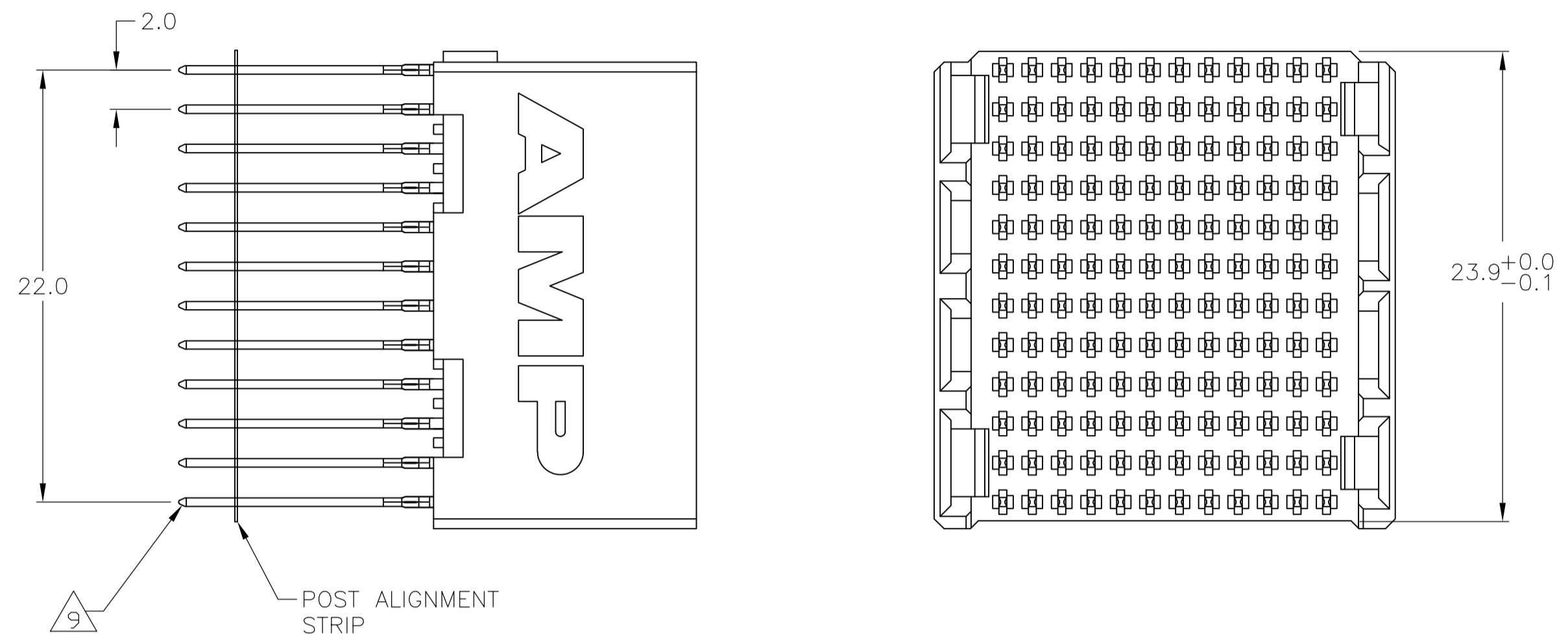
Email & Skype: info@chipsmall.com Web: www.chipsmall.com

Address: A1208, Overseas Decoration Building, #122 Zhenhua RD., Futian, Shenzhen, China

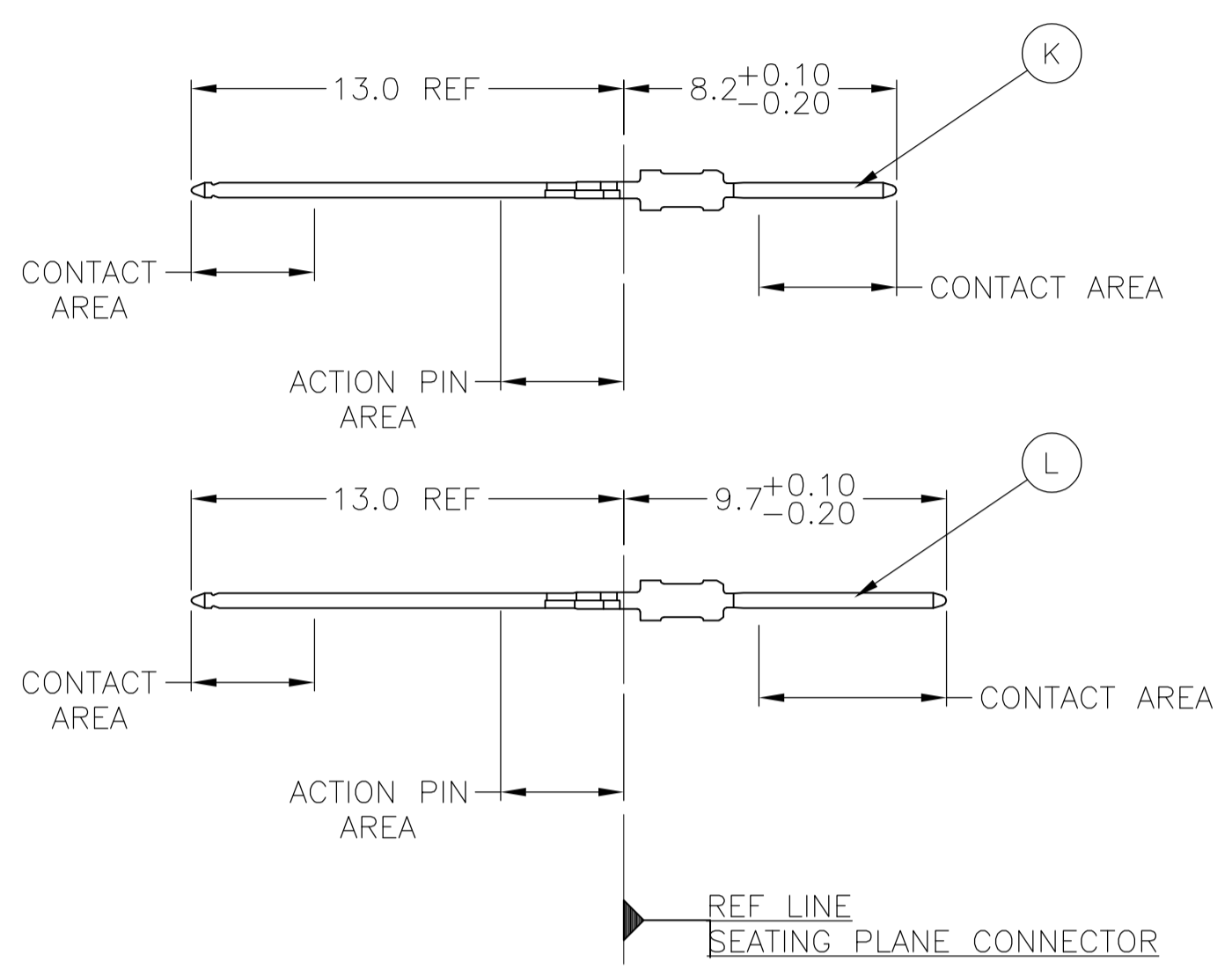


LOC		DIST		REVISIONS			
AD	00	REV	DESCRIPTION	DATE	BY	CHK	APPV
		B	REV PER ECO-06-021628	11JAN07	DKH	GS	
		C	ECR-10-019054	15SEP10	DP	MQW	

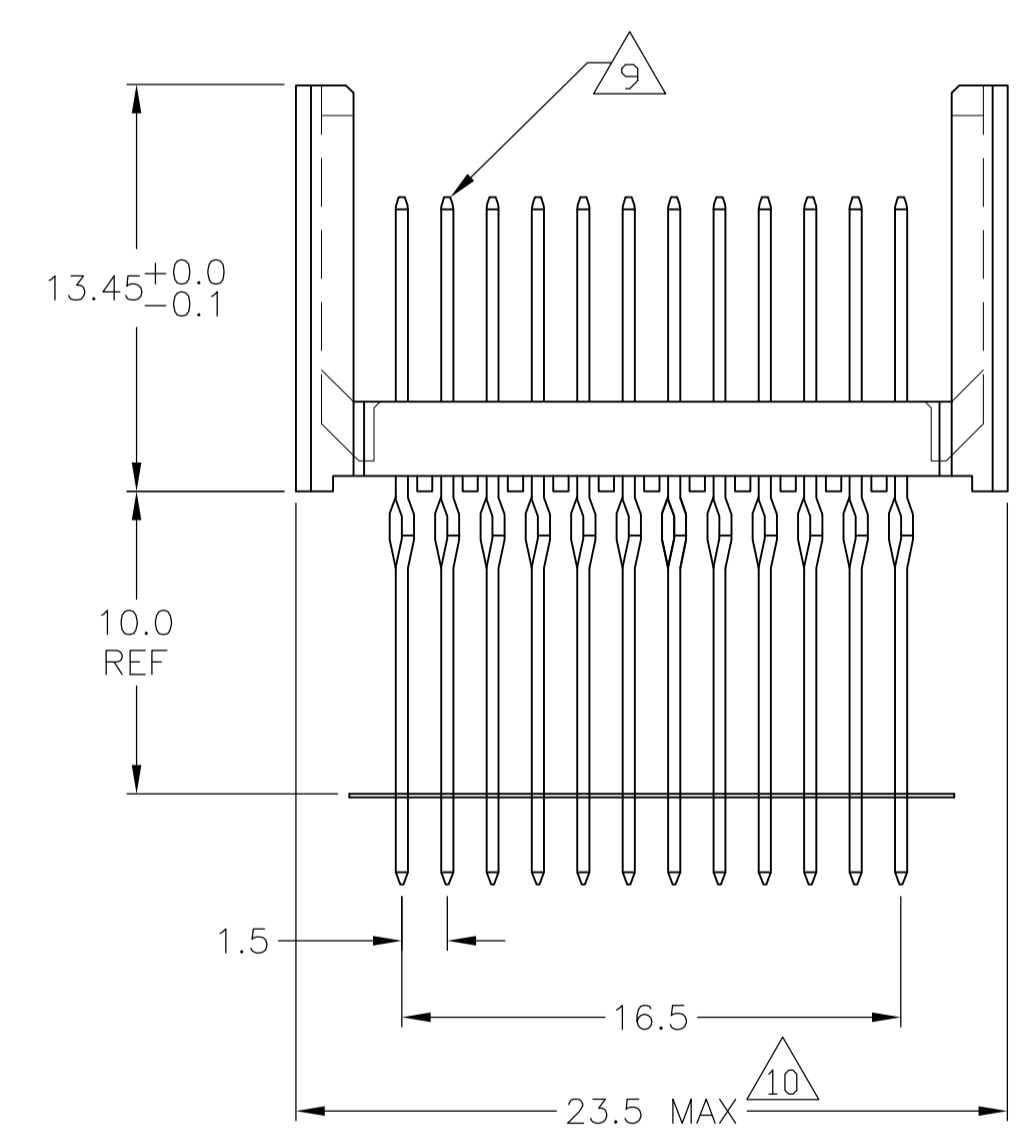
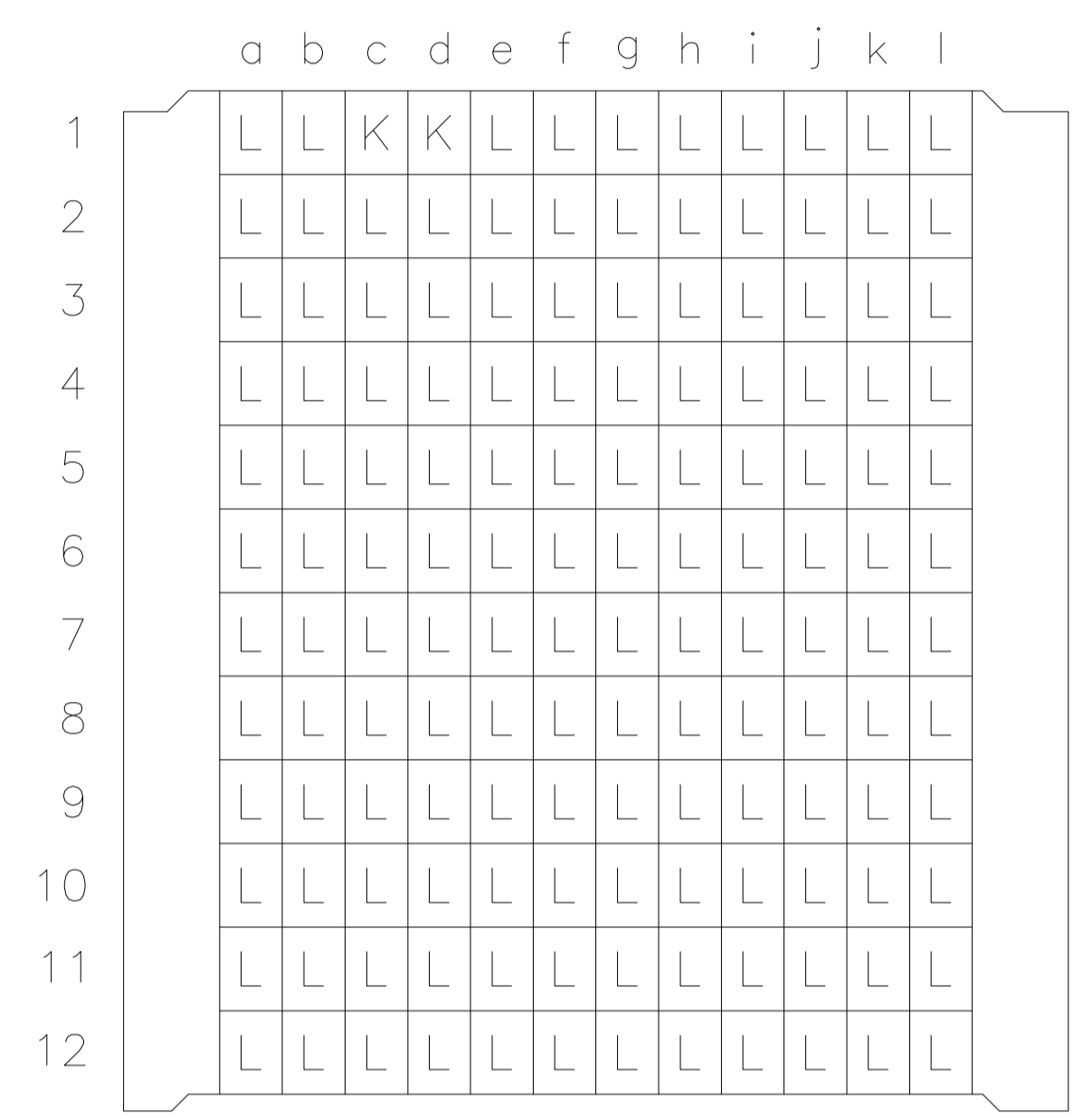
CONNECTOR ASSEMBLY EXAMPLARY LOADED



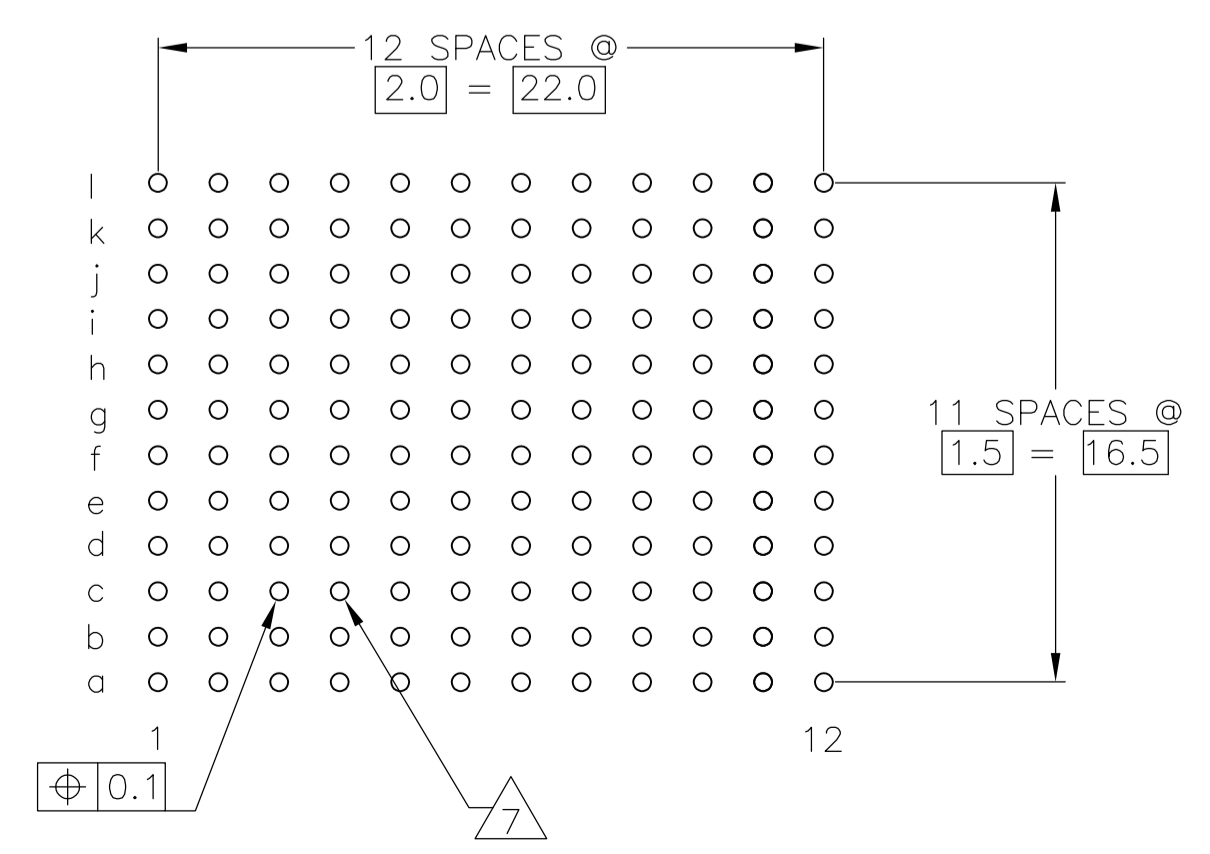
CONTACT DIMENSIONS SCALE 5:1



CONTACT LAYOUT



RECOMMENDED PCB-HOLE LAYOUT COMPONENT SIDE SHOWN



PLATED THRU HOLES PARAMETERS REFERENCE APPLICATION SPECIFICATION

2 6 11	1-5120897-9
2 5 11	5120897-9
2 4	5120897-4
2 3	5120897-1
FINISH	PART NUMBER

THIS DRAWING IS A CONTROLLED DOCUMENT.		DIN B CARBO 03AUG05	Tyco Electronics Corporation Harrisburg, Pa 17105-3608	
DIMENSIONS: mm		CHK G SKIPPER 03AUG05	NAME	
TOLERANCES UNLESS OTHERWISE SPECIFIED:		APPV G SKIPPER 03AUG05	PRODUCT SPEC	
0-PLG ±		108-1738		
1-PLG ±0.1		APPLICATION SPEC		
2-PLG ±		114-1132		
3-PLG ±		SIZE CAGE CODE DRAWING NO		
4-PLG ±		A1 00779 C=5120897		
ANGLES ±		RESTRICTED TO		
MATERIAL 1	FINISH SEE TABLE	WEIGHT	CUSTOMER DRAWING	
		SCALE 4:1	SHEET 1 OF 2	REV C

- 1 MATERIAL:
CONTACT: PHOSPHOR BRONZE.
HOUSING: GLASS-FILLED POLYESTER.
- 2 GENERAL PLATING SPECIFICATION: UNDERPLATING
(ENTIRE CONTACT): 1.27µm MIN NICKEL AND ACTION
PIN: 0.5µm MIN TIN.
FOR PLATING OF MATING SURFACES SEE APPLICABLE
SPECIFICATION REFERENCE FOR EACH DASH NUMBER.
- 3 CONFORMS TO ALL TESTING ACCORDING TO IEC 61076-4-101
PERFORMANCE LEVEL 2.
- 4 CONFORMS TO ALL TESTING ACCORDING TO IEC 61076-4-101
PERFORMANCE LEVEL 1.
- 5 CONNECTOR TESTED AND QUALIFIED AGAINST TELCORDIA GR-1217-CORE QUALITY LEVEL 3,
CENTRAL OFFICE APPLICATIONS.
- 6 CONNECTOR TESTED AND QUALIFIED AGAINST TELCORDIA GR-1217-CORE QUALITY LEVEL 3,
UNCONTROLLED ENVIROMENT APPLICATIONS.
- 7 PLATED-THROUGH HOLES AT 2x2mm SQUARE GRID
PATTERN DEFINED BY CONTACT LAYOUT.
- 8 FOR ACTUAL PIN LOADING SEE "CONTACT LAYOUT".
- 9 FOR ACTUAL PIN DIMENSIONS SEE "CONTACT DIMENSIONS".
- 10 TO BE MEASURED AT BOTTOM OF SHROUD.
- 11 CONNECTOR LUBRICATED WITH BELCORE APPROVED LUBRICANT,
TECHNICAL REFERENCE: TR-NWT-001217 ISSUE 1, SEP 1992.

THIS DRAWING IS A CONTROLLED DOCUMENT.		DRN B. CARBO	03AUG05	Tyco Electronics Corporation Harrisburg, Pa 17105-3608	
DIMENSIONS: mm		CHK G. SKIPPER	03AUG05	NAME	
TOLERANCES UNLESS OTHERWISE SPECIFIED:		APD G. SKIPPER	03AUG05	PRODUCT SPEC	
0-PLC ±		108-1738		MALE ASSEMBLY, Z-PACK 2mm HM, TYPE B, 12 ROW	
1-PLC ±0.1		APPLICATION SPEC		RESTRICTED TO	
2-PLC ±		114-1132		SIZE CAGE CODE DRAWING NO	
3-PLC ±		WEIGHT -		A1 00779 5120897	
4-PLC ±		CUSTOMER DRAWING		SCALE 4:1 SHEET 2 OF 2 REV C	
ANGLES ±					
FINISH					
MATERIAL SEE SHEET 1	FINISH SEE SHEET 1				