



Chipsmall Limited consists of a professional team with an average of over 10 year of expertise in the distribution of electronic components. Based in Hongkong, we have already established firm and mutual-benefit business relationships with customers from,Europe,America and south Asia,supplying obsolete and hard-to-find components to meet their specific needs.

With the principle of “Quality Parts,Customers Priority,Honest Operation,and Considerate Service”,our business mainly focus on the distribution of electronic components. Line cards we deal with include Microchip,ALPS,ROHM,Xilinx,Pulse,ON,Everlight and Freescale. Main products comprise IC,Modules,Potentiometer,IC Socket,Relay,Connector.Our parts cover such applications as commercial,industrial, and automotives areas.

We are looking forward to setting up business relationship with you and hope to provide you with the best service and solution. Let us make a better world for our industry!



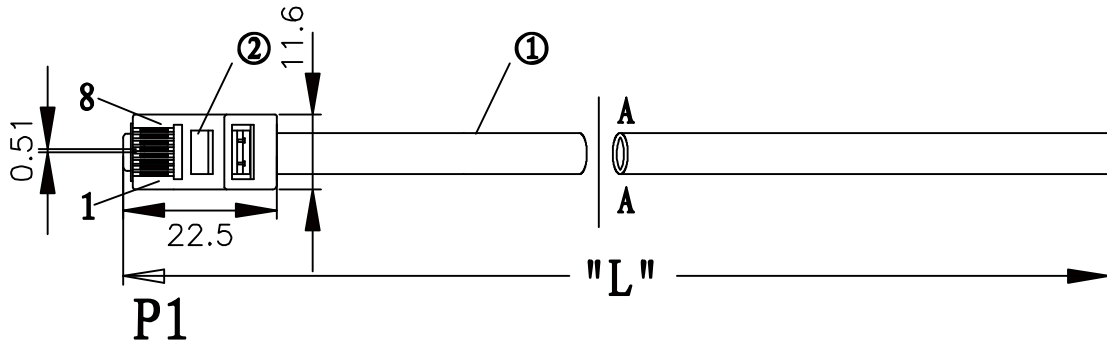
## Contact us

Tel: +86-755-8981 8866 Fax: +86-755-8427 6832

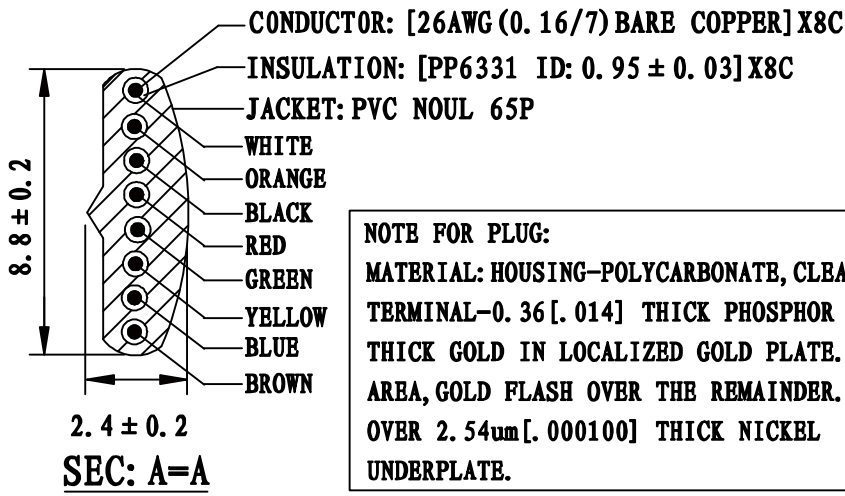
Email & Skype: info@chipsmall.com Web: www.chipsmall.com

Address: A1208, Overseas Decoration Building, #122 Zhenhua RD., Futian, Shenzhen, China





PACKAGE: INDIVIDUAL PE BAG.

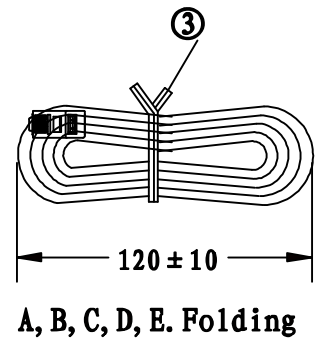


CONDUCTOR: [26AWG (0.16/7) BARE COPPER] X8C  
 INSULATION: [PP6331 ID: 0.95 ± 0.03] X8C  
 JACKET: PVC NOUL 65P

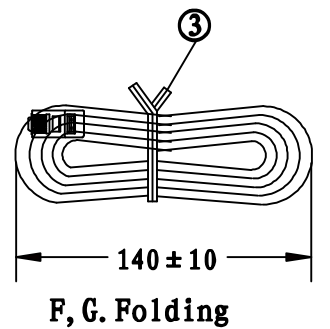
NOTE FOR PLUG:  
 MATERIAL: HOUSING-POLYCARBONATE, CLEAR.  
 TERMINAL-0.36 [.014] THICK PHOSPHOR BRONZE.  
 THICK GOLD IN LOCALIZED GOLD PLATE.  
 AREA, GOLD FLASH OVER THE REMAINDER.  
 OVER 2.54um [.000100] THICK NICKEL  
 UNDERPLATE.

P1	COLOR
1	WHITE
2	ORANGE
3	BLACK
4	RED
5	GREEN
6	YELLOW
7	BLUE
8	BROWN

NO	ITEM	DESCRIPTION	Q' TY
①	CABLE		1 PCS
②	PLUG	8P8C 50U"	1 PCS
③	CABLE TIE		1 PCS
④			
⑤			
⑥			



PART NO	DRAWING NO	WIRE LENGTH "L"	BUYER COLOR	VENDOR COLOR	CUT LENGTH
513-26-8800-SV-0005F	A	1525 ± 20 (5FT)	Silver	S49-1 LIGHT	1525-1535MM
513-26-8800-SV-0007F	B	2135 ± 30 (7FT)	Silver	S49-1 LIGHT	2135-2145MM
513-26-8800-SV-0010F	C	3050 ± 60 (10FT)	Silver	S49-1 LIGHT	3050-3060MM
513-26-8800-SV-0012F	D	3660 ± 60 (12FT)	Silver	S49-1 LIGHT	3660-3670MM
513-26-8800-SV-0014F	E	4270 ± 60 (14FT)	Silver	S49-1 LIGHT	4270-4280MM
513-26-8800-SV-0025F	F	7625 ± 100 (25FT)	Silver	S49-1 LIGHT	7625-7635MM
513-26-8800-SV-0050F	G	15250 ± 150 (50FT)	Silver	S49-1 LIGHT	15250-15260



REVISE	VERSION	BASIS	CONTENTS
12-02-20	A/0	T0210A	NEW DRAWING

CnC Tech, LLC	
Industrial Cable and Connector Technology	
IDRAWING NO: 671-352	CUSTOMER: L-671
ITEM NO: 8C CABLE P+O PLUG	UNIT: mm
DATE: 2012-02-20	ISSUE: (A/0)
DRAWN: QE:	QA:
SALES DEPT:	SALES MANAGER: