



Chipsmall Limited consists of a professional team with an average of over 10 year of expertise in the distribution of electronic components. Based in Hongkong, we have already established firm and mutual-benefit business relationships with customers from,Europe,America and south Asia,supplying obsolete and hard-to-find components to meet their specific needs.

With the principle of “Quality Parts,Customers Priority,Honest Operation,and Considerate Service”,our business mainly focus on the distribution of electronic components. Line cards we deal with include Microchip,ALPS,ROHM,Xilinx,Pulse,ON,Everlight and Freescale. Main products comprise IC,Modules,Potentiometer,IC Socket,Relay,Connector.Our parts cover such applications as commercial,industrial, and automotives areas.

We are looking forward to setting up business relationship with you and hope to provide you with the best service and solution. Let us make a better world for our industry!



Contact us

Tel: +86-755-8981 8866 Fax: +86-755-8427 6832

Email & Skype: info@chipsmall.com Web: www.chipsmall.com

Address: A1208, Overseas Decoration Building, #122 Zhenhua RD., Futian, Shenzhen, China



IEC Appliance Inlet C20 with Filter, ECO design, front or rear side Mounting

Standard- or Medical-Filter



Screw-on or rivet mounting from front or rear side
Screw-on Version

Screw-on mounting from rear side, integrated
thread
Screw-on Version

Snap-in mounting from front side
Snap-in version



Description

- Panel Mount :
Screw-on version from front or rear side, snap-in version from front side
- 2 Functions :
Appliance Inlet Protection class I , Line filter in standard and medical version
- Quick connect terminals

Unique Selling Proposition

- ECO design
- Metal flange for optimal shielding
- Compact design
- V-Lock cord retaining

Approvals

- VDE Certificate Number: 104884
- UL File Number: E72928

Characteristics

- Optimal shielding due to completely closed filter case, unpotted
Suitable for assembly in metal plated plastic housings
- Version with class X1 and X2 (standard version) capacitors
- Universal line filter for standard applications
Designed for standard and medical applications
- Suitable for use in equipment according to IEC/UL 60950
Suitable for use in medical equipment according to IEC/UL 60601-1

Other versions on request

- Solder terminals
- Medical version M80
- Capacity CX 330 nF

References

Fits to type: 4790; 4795 0104; 0104U; 1651; 1652; 1654; 4790; 4795; VAC19KS
Alternative: version without line filter 4793; 4798

Weblinks

[pdf datasheet](#), [html-datasheet](#), [General Product Information](#), [RoHS](#), [CHINA-RoHS](#), [REACH](#), [Distributor-Stock-Check](#), [Accessories](#), [Detailed request for product](#)

Newly available variants corresponding to V-Lock mating cordset. The connector is equipped with a notch intended for use with the latching cordset. The cord latching system prevents against accidental removal of the cordset.

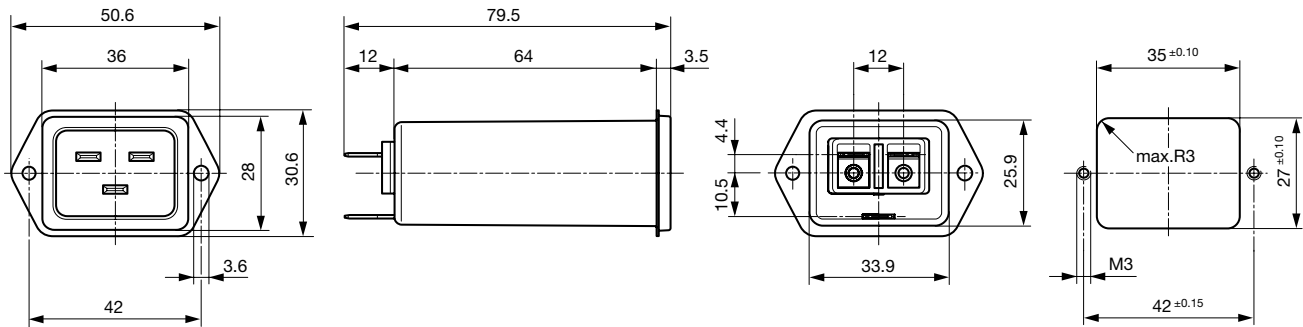
Technical Data

Ratings IEC	16A @ Ta 40 °C / 250VAC; 50Hz	appliance inlet/-outlet	C20 acc. to IEC 60320-1, UL 498, CSA C22.2 no. 42 (for cold conditions) pin-temperature 70 °C, 16A, Protection Class I
Ratings UL/CSA	20A @ Ta 40 °C / 250VAC; 60Hz	Line Filter	Standard and Medical Version, IEC 60939, UL 1283, CSA C22.2 no. 8 Technical Details
Leakage Current	standard < 0.5mA (250V / 60Hz) medical < 5 µA (250 V / 60 Hz)	MTBF	> 3'000'000h acc. to MIL-HB-217 F
Dielectric Strength	> 1.7kVDC between L-N > 2.7kVDC between L/N-PE Test voltage (2 sec)		
Impulse Withstand Voltage	> 2.5kV between L-N (CX2) > 4 kV between L-N (CX1) > 5kV between L/N-PE (Cy2) voltage (1.2/50 µs)		
Allowable Operation Temperature	-25 °C to 85 °C		
Climatic Category	25/085/21 acc. to IEC 60068-1		
IP-Protection	from front side IP 40 acc. to IEC 60529		
Protection Class	Suitable for appliances with protection class I acc. to IEC 61140		
Terminal	Quick connect terminal 6.3 x 0.8 mm		
Panel Thickness s	Screw: max 8 mm Mounting screw torque max 0.5Nm Snap-in: 0.8mm to 3mm (all steps with one variant)		
Material: Housing	Themoplast / steel tin-plated, black / metallic, UL 94V-0		

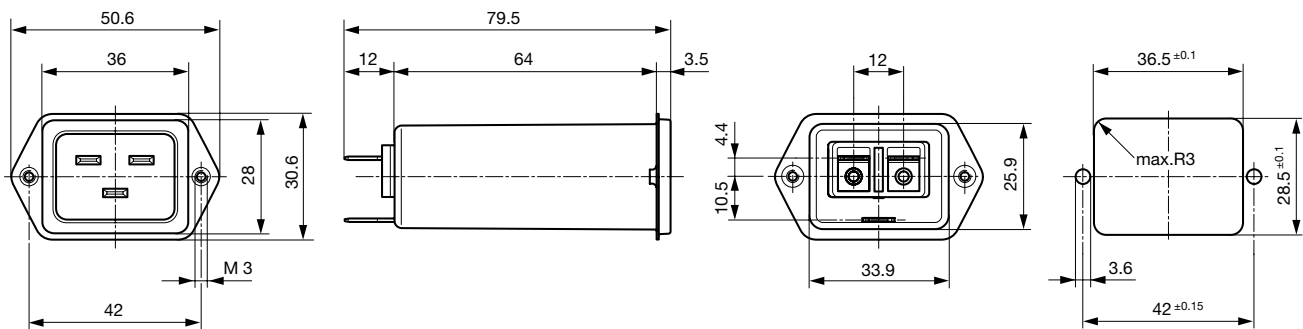
Detailed information on product approvals, code requirements, usage instructions and detailed test conditions can be looked up in [General Product Information](#)

Dimension

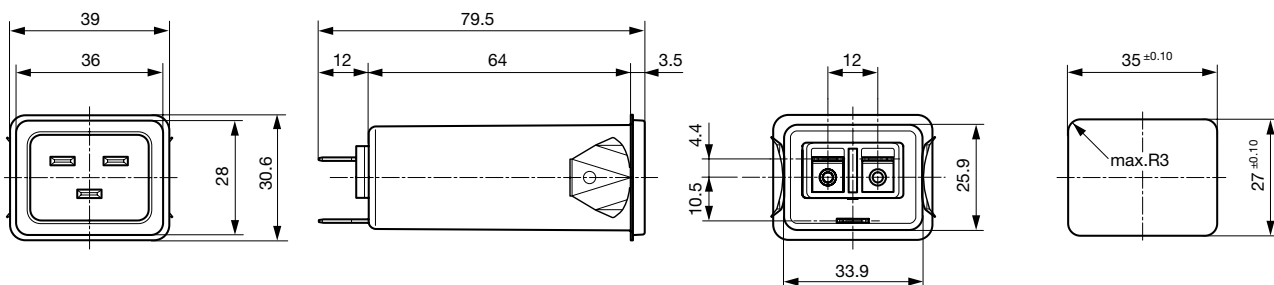
Front or rear side mounting for screws with nuts or blind rivets



Rear side mounting with pre-formed, threaded holes for M3 screws



Snap-in mounting from front side



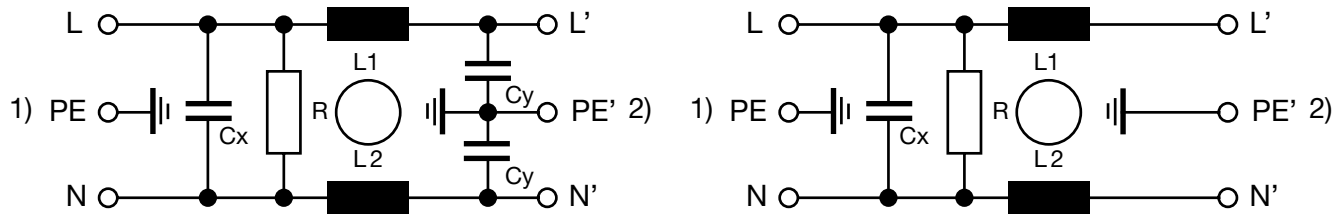
Technical Data of Filter-Components

Rated Current [A]	Filter-Type	Inductances L [mH]	Capacitance CX [nF]	Capacitance CY [nF]	R [MΩ]
16	Standard Version	2 x 0.6	100	2.2	1
20	Standard Version	2 x 0.3	100	2.2	1
16	Medical Version (M5)	2 x 0.6	100	-	1
20	Medical Version (M5)	2 x 0.3	100	-	1

Diagrams

Standard or medical version (M80)

Medical version (M5)



1) Line
2) Load

1) Line
2) Load

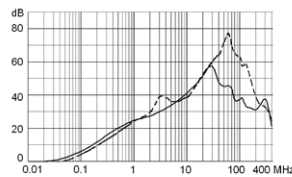
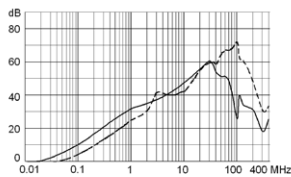
Attenuation Loss

--- 50Ω differential mode — 50Ω common mode

Standard version

16 A

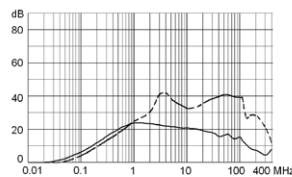
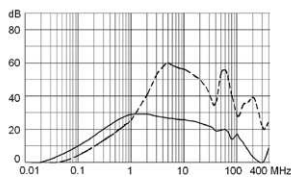
20 A



Medical version (M5)

16 A

20 A



All Variants

Rated Current IEC [A]	Rated Current UL [A]	Filter-Type	Panel mounting	Mounting side	Terminal	Capacitor	V-Lock	Order Number
16	16	Standard Version	Snap-in	Front Side	Quick connect terminals 6.3 x 0.8 mm	X2 100nF		5130.2000
16	20	Standard Version	Snap-in	Front Side	Quick connect terminals 6.3 x 0.8 mm	X2 100nF		5130.2001
16	16	Standard Version	Snap-in	Front Side	Quick connect terminals 6.3 x 0.8 mm	X1 100nF		5130.2100
16	20	Standard Version	Snap-in	Front Side	Quick connect terminals 6.3 x 0.8 mm	X1 100nF		5130.2101
16	16	Standard Version	Screw-on/Rivet	Front Side	Quick connect terminals 6.3 x 0.8 mm	X2 100nF		5130.0000
16	16	Standard Version	Screw-on/Rivet	Front Side	Quick connect terminals 6.3 x 0.8 mm	X2 100nF	●	5130.0000.21

Rated Current IEC [A]	Rated Current UL [A]	Filter-Type	Panel mounting	Mounting side	Terminal	Capacitor	V-Lock	Order Number
16	20	Standard Version	Screw-on/Rivet	Front Side	Quick connect terminals 6.3 x 0.8 mm	X2 100nF		5130.0001
16	16	Standard Version	Screw-on/Rivet	Front Side	Quick connect terminals 6.3 x 0.8 mm	X1 100nF		5130.0100
16	20	Standard Version	Screw-on/Rivet	Front Side	Quick connect terminals 6.3 x 0.8 mm	X1 100nF		5130.0101
16	16	Standard Version	Screw	Rear Side	Quick connect terminals 6.3 x 0.8 mm	X2 100nF		5130.1000
16	20	Standard Version	Screw	Rear Side	Quick connect terminals 6.3 x 0.8 mm	X2 100nF		5130.1001
16	16	Standard Version	Screw	Rear Side	Quick connect terminals 6.3 x 0.8 mm	X1 100nF		5130.1100
16	20	Standard Version	Screw	Rear Side	Quick connect terminals 6.3 x 0.8 mm	X1 100nF		5130.1101
16	20	Medical Version (M5)	Snap-in	Front Side	Quick connect terminals	X1 100nF		5130.2301
16	16	Medical Version (M5)	Snap-in	Front Side	Quick connect terminals 6.3 x 0.8 mm	X2 100nF		5130.2200
16	20	Medical Version (M5)	Snap-in	Front Side	Quick connect terminals 6.3 x 0.8 mm	X2 100nF		5130.2201
16	16	Medical Version (M5)	Snap-in	Front Side	Quick connect terminals 6.3 x 0.8 mm	X1 100nF		5130.2300
16	16	Medical Version (M5)	Screw-on/Rivet	Front Side	Quick connect terminals 6.3 x 0.8 mm	X2 100nF		5130.0200
16	20	Medical Version (M5)	Screw-on/Rivet	Front Side	Quick connect terminals 6.3 x 0.8 mm	X2 100nF		5130.0201
16	16	Medical Version (M5)	Screw-on/Rivet	Front Side	Quick connect terminals 6.3 x 0.8 mm	X1 100nF		5130.0300
16	16	Medical Version (M5)	Screw-on/Rivet	Front Side	Quick connect terminals 6.3 x 0.8 mm	X1 100nF	●	5130.0300.21
16	20	Medical Version (M5)	Screw-on/Rivet	Front Side	Quick connect terminals 6.3 x 0.8 mm	X1 100nF		5130.0301
16	16	Medical Version (M5)	Screw	Rear Side	Quick connect terminals 6.3 x 0.8 mm	X2 100nF		5130.1200
16	20	Medical Version (M5)	Screw	Rear Side	Quick connect terminals 6.3 x 0.8 mm	X2 100nF		5130.1201
16	16	Medical Version (M5)	Screw	Rear Side	Quick connect terminals 6.3 x 0.8 mm	X1 100nF		5130.1300
16	20	Medical Version (M5)	Screw	Rear Side	Quick connect terminals 6.3 x 0.8 mm	X1 100nF		5130.1301

Most Popular.

Availability for all products can be searched real-time:<http://www.schurter.com/en/Stock-Check/Stock-Check-SCHURTER>

Type for screw on mounting from rear side has pre-threaded holes for M3 screws

Packaging unit 20 Pcs

Accessories

Description



Wire Harness
Wire harness for SCHURTER products



Assorted Covers
Rear Cover

0859.0047



Cord retaining kits
Cord retaining strain relief

Flat head, L

4700.0011

Mating Inlets/Plugs

Category / Description



[Connector Overview complete](#)

IEC Connector C19, Rewireable, Straight

4795

IEC Connector C19, Rewireable, Angled

4790

[Connector further types to 5130](#)

Mating Outlets/Connectors



[Connector Overview complete](#)

IEC Connector C19, Rewireable, Straight

4795

IEC Connector C19, Rewireable, Angled

4790

IEC Connector C19, Rewireable, Straight

0104U

[Connector further types to 5130](#)

Mating Outlets/Connectors shuttered



Power Cord Overview complete

Overview Power Cord with IEC Appliance Connector C19, V-Lock, straight

VAC19KS

Power Cord further types to 5130