



Chipsmall Limited consists of a professional team with an average of over 10 year of expertise in the distribution of electronic components. Based in Hongkong, we have already established firm and mutual-benefit business relationships with customers from,Europe,America and south Asia,supplying obsolete and hard-to-find components to meet their specific needs.

With the principle of “Quality Parts,Customers Priority,Honest Operation,and Considerate Service”,our business mainly focus on the distribution of electronic components. Line cards we deal with include Microchip,ALPS,ROHM,Xilinx,Pulse,ON,Everlight and Freescale. Main products comprise IC,Modules,Potentiometer,IC Socket,Relay,Connector.Our parts cover such applications as commercial,industrial, and automotives areas.

We are looking forward to setting up business relationship with you and hope to provide you with the best service and solution. Let us make a better world for our industry!



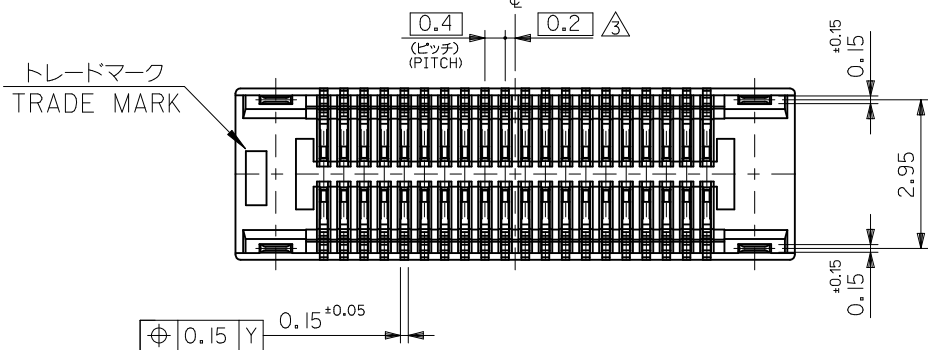
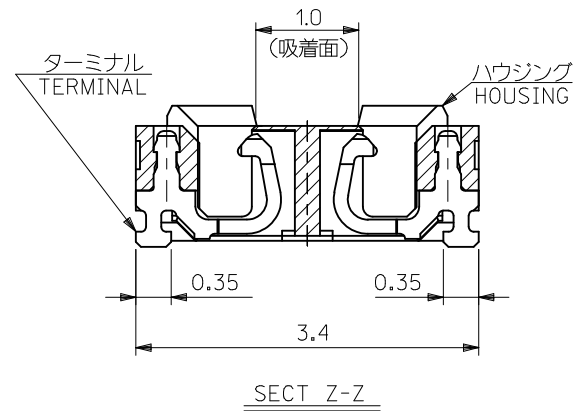
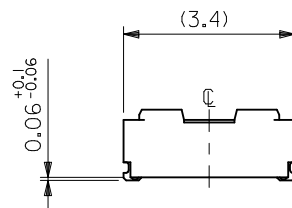
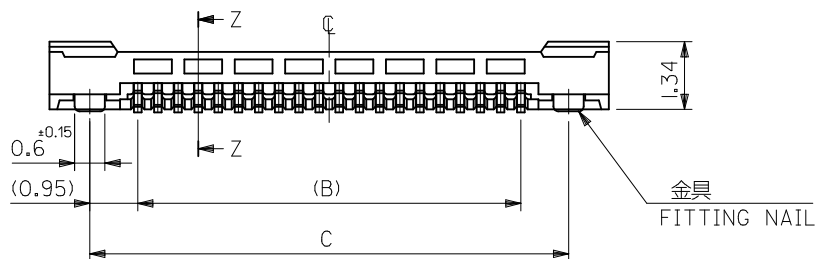
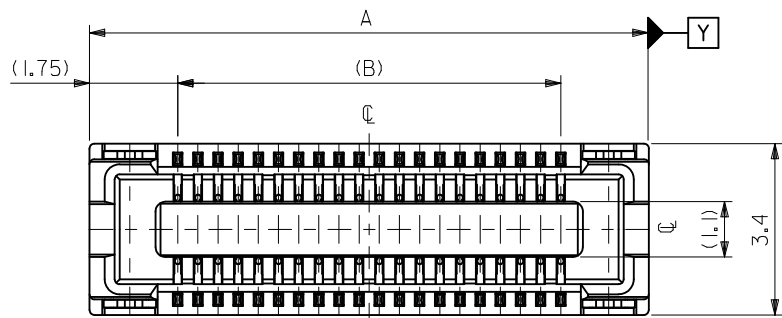
## Contact us

Tel: +86-755-8981 8866 Fax: +86-755-8427 6832

Email & Skype: info@chipsmall.com Web: www.chipsmall.com

Address: A1208, Overseas Decoration Building, #122 Zhenhua RD., Futian, Shenzhen, China





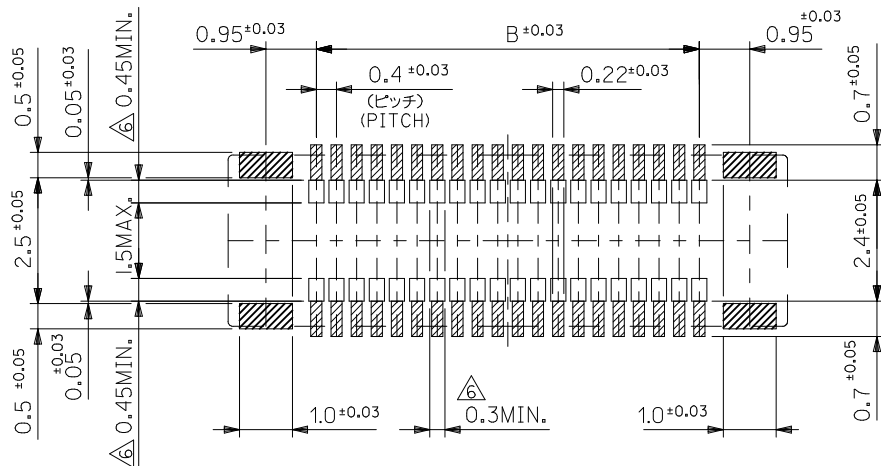
14.3	12.4	15.9	51338-6473	64
12.3	10.4	13.9	51338-5473	54
10.3	8.4	11.9	51338-4473	44
3.5	1.6	5.1	51338-9873	10
C	B	A	EMBOSSED TAPE PKG	極数
ORDER No. オーダー番号				CIRCUIT

CONNECTOR SERIES No.: 51338-\*\*\*9

REVISED EC NO: J2010-2586 DRWN: YON002 CHKD: S. MARUYAMA APPR: MSASAO	GENERAL TOLERANCES (UNLESS SPECIFIED)		DIMENSION STYLE MM ONLY	SCALE ---	DESIGN UNITS METRIC	THIRD ANGLE PROJECTION
	10 UNDER	±0.2	DRAWN BY Y. NUKANOBU	DATE 2010/01/25	TITLE 0.4 B-TO-B REC ASSY HGT=1.5 J-BEND TAIL	
	10 OVER 30 UNDER	±0.25	CHECKED BY S. MARUYAMA	DATE 2010/01/25	MOLEX INCORPORATED	
	30 OVER	±0.3	APPROVED BY M. SASAO	DATE 2010/01/25	MATERIAL NO. SEE TABLE	DOCUMENT NO. SD-51338-005
DESCRIPTION	ANGULAR ±3 °	DRAFT WHERE APPLICABLE MUST REMAIN WITHIN DIMENSIONS	SIZE A3	THIS DRAWING CONTAINS INFORMATION THAT IS PROPRIETARY TO MOLEX INCORPORATED AND SHOULD NOT BE USED WITHOUT WRITTEN PERMISSION		

注記 NOTES:

- 使用材料 MATERIAL  
 ハウジング: 液晶ポリマー (LCP) ガラス充填 UL94V-0 (黒)  
 HOUSING: LIQUID CRYSTAL POLYMER (GLASS FILLED)  
 UL94V-0 (COLOR: BLACK)  
 ターミナル: リン青銅 (t=0.15)  
 TERMINAL: PHOSPHOR BRONZE (t=0.15)  
 金具: リン青銅 (t=0.15)  
 FITTING NAIL: PHOSPHOR BRONZE (t=0.15)
- メッキ仕様 PLATING  
 ターミナル TERMINAL  
 金メッキ 0.2マイクロメートル以上 (コンタクト部)  
 GOLD 0.2MICROMETER MINIMUM (CONTACT AREA)  
 金メッキ 0.4マイクロメートル以下 (テール部)  
 GOLD 0.4MICROMETER MAXIMUM (TAIL AREA)  
 下地メッキ: ニッケルメッキ 1.5マイクロメートル以上  
 UNDER PLATING: NICKEL 1.5MICROMETER MINIMUM  
 \*コンタクト部とテール部はニッケルメッキによって分断されている金メッキです。  
 DIVIDE INTO PARTS THE GOLD PLATING OF THE CONTACT AND THE TAIL PART BY THE NICKEL PLATING.  
 金具 FITTING NAIL  
 錫メッキ 1.0 マイクロメートル以上  
 TIN PLATING 1.0 MICROMETER MINIMUM  
 下地メッキ: ニッケルメッキ 1.0 マイクロメートル以上  
 UNDER PLATING: NICKEL 1.0 MICROMETER MINIMUM
- (全極数/2) = 偶数の場合に適用。  
 APPLY FOR (CIRCUIT/2) = EVEN.
- 嵌合相手: 55909シリーズ  
 MATE WITH: 55909 SERIES.
- テール平坦度は、0.08以下  
 テール及び金具の平坦度は、0.1以下  
 TAIL COPLANARITY TO BE 0.08 MAXIMUM  
 TAIL AND FITTING NAIL COPLANARITY TO BE 0.1 MAXIMUM
- 同一回路以外のパターン書込み禁止範囲を示す。  
 NO PRINT CIRCUIT AREA OTHER THAN THE SAME CIRCUIT.
- 本製品は 51338-\*\*\*3 の鉛フリー品である。  
 THIS PRODUCT IS LEAD FREE OF 51338-\*\*\*3.
- ELV及びRoHS適合品  
 ELV AND RoHS COMPLIANT

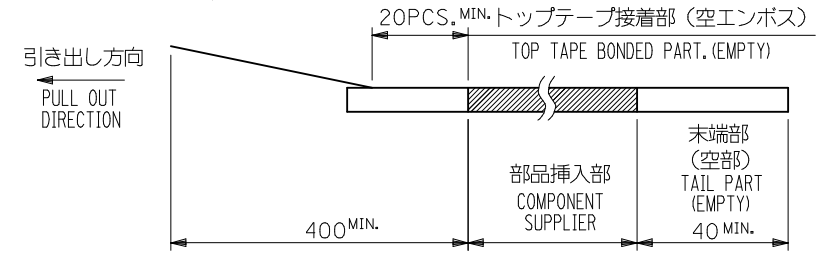


参考基板レイアウト (マウント面)  
 P.W.BOARD PATTERN DIMENSION (REFERENCE)  
 (MOUNTING AREA)

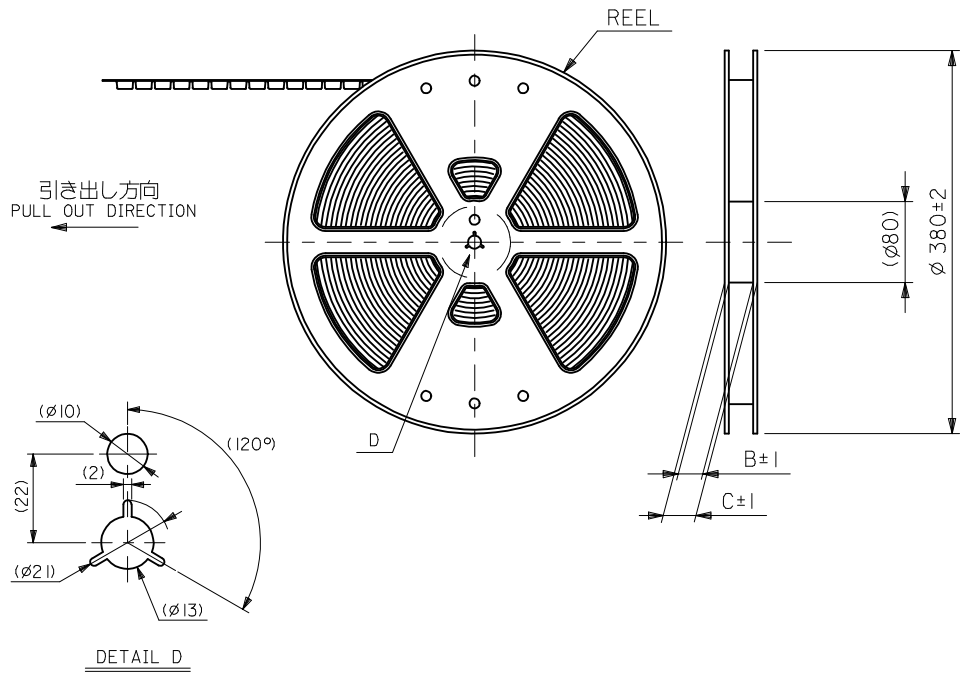
REVISED EC NO: J2010-2586 DRWN: YON002 2010/06/24 CHK'D: S. MARUYAMA 2010/06/29 APPR: MSASAO 2010/06/29	GENERAL TOLERANCES (UNLESS SPECIFIED)		DIMENSION STYLE MM ONLY	SCALE ---	CONNECTOR SERIES No.: 51338-***9
	10 UNDER	± 0.2	DRAWN BY Y. NUKANOBU	DATE 2010/01/25	DESIGN UNITS METRIC
	10 OVER 30 UNDER	± 0.25	CHECKED BY S. MARUYAMA	DATE 2010/01/25	THIRD ANGLE PROJECTION
	30 OVER	± 0.3	APPROVED BY M. SASAO	DATE 2010/01/25	TITLE 0.4 B-TO-B REC ASSY HGT=1.5 J-BEND TAIL
REV B	DESCRIPTION ANGULAR ± 3 ° DRAFT WHERE APPLICABLE MUST REMAIN WITHIN DIMENSIONS	SIZE A3	MATERIAL NO. SEE SHEET 1	DOCUMENT NO. SD-51338-005	SHEET NO. 2 OF 2

NOTES

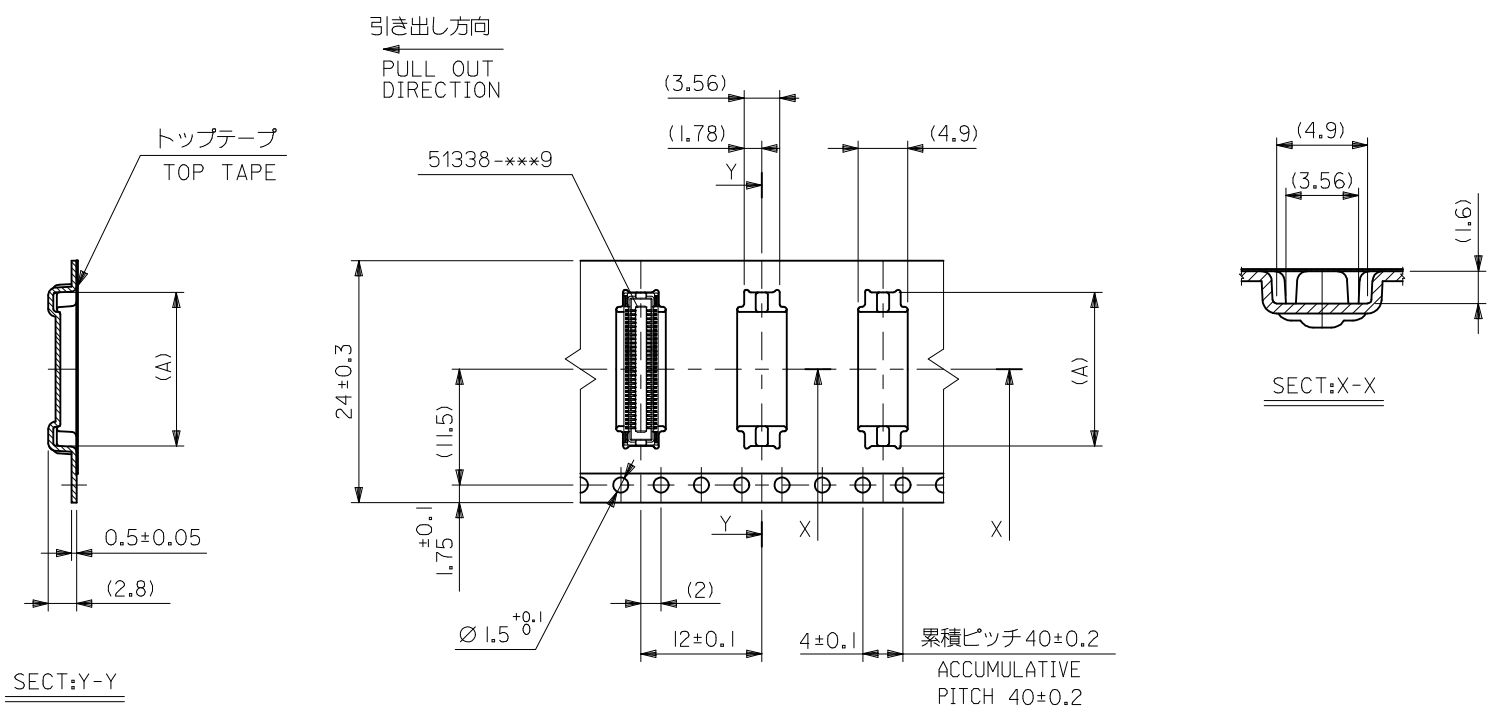
- 製品詳細寸法については、SD-51338-005 を参照下さい。  
RE DETAILED DIMENSION, SEE PRODUCT DRAWING SD-51338-005.
- 梱包数量：2500個/リール  
NUMBER OF CONNECTORS : 2500PCS/REEL
- リードテープ長さ LEAD TAPE LENGTH



4. 材料
- キャリアテープ : PS
  - トップテープ : PS, OTHER
  - リール : PS<リサイクル材を含む>
- MATERIAL
- CARRIER TAPE : PS
  - TOP TAPE : PS, OTHER
  - REEL : PS <RECYCLE MATERIAL CONTAINED>
5. ELV 及び RoHS 適合品。  
ELV AND RoHS COMPLIANT.



REVISED EC NO: J2015-0987 DRWN:KMIYAHARA 2015/01/27 CHKD:KTANAKA03 2015/09/07 APPR:KMORIKAWA 2015/09/11	DESCRIPTION A	GENERAL TOLERANCES (UNLESS SPECIFIED)		DIMENSION STYLE MM ONLY		51338-**73		MODEL NO.		
		0.25 UNDER UNDER ±0.03	0.25 OVER 0.5 UNDER ±0.05	DRAWN BY YON002	DATE 2010/06/23	SCALE ---	DESIGN UNITS METRIC	THIRD ANGLE PROJECTION		
		0.5 OVER 1.0 UNDER ±0.1	1.0 OVER 10 UNDER ±0.2	CHECKED BY	DATE	TITLE 0.4 B-TO-B CONN. REC HSG ASSY(HGT=1.5) EMBSTP PKG				
		10 OVER 30 UNDER ±0.25	30 OVER ±0.3	APPROVED BY MSASAO	DATE 2010/06/29					
		ANGULAR ±3 °	DRAFT WHERE APPLICABLE MUST REMAIN WITHIN DIMENSIONS		MATERIAL NO.					
A	REV	SIZE A3	THIS DRAWING CONTAINS INFORMATION THAT IS PROPRIETARY TO MOLEX INCORPORATED AND SHOULD NOT BE USED WITHOUT WRITTEN PERMISSION							



24mm幅キャリアテープ  
24mm WIDTH CARRIER TAPE

注記) 製品がポケット内に問題なく納まること。  
NOTE. Pocket should contain product smoothly.

24	29.4	25.4	16.06	51338-6473	64
			14.06	51338-5473	54
			12.06	51338-4473	44
			5.26	51338-9873	10
キャリアテープ幅 CARRIER TAPE WIDTH	C	B	(A)	オーダー番号 ORDER NO.	極数 CIRCUITS

REVISED EC NO.: J2015-0987 DRWN:KMIYAHARA 2015/01/27 CHKD:KTANAKA03 2015/09/07 APPR:KMORIKAWA 2015/09/11	DESCRIPTION A	GENERAL TOLERANCES (UNLESS SPECIFIED)			DIMENSION STYLE MM ONLY		SCALE ---		DESIGN UNITS METRIC		MODEL NO. 51338-***73	
		0.25 UNDER	UNDER	±0.03	DRAWN BY YON002	DATE 2010/06/23	TITLE 0.4 B-TO-B CONN. REC HSG ASSY(HGT=1.5) EMBSTP PKG					
		0.25 OVER	0.5 UNDER	±0.05	CHECKED BY	DATE						
		0.5 OVER	1.0 UNDER	±0.1	APPROVED BY MSASAO	DATE 2010/06/29						
		1.0 OVER	10 UNDER	±0.2	MATERIAL NO.	DOCUMENT NO.						
		10 OVER	30 UNDER	±0.25	SEE CHART							
30 OVER		±0.3	DRAFT WHERE APPLICABLE MUST REMAIN WITHIN DIMENSIONS			THIS DRAWING CONTAINS INFORMATION THAT IS PROPRIETARY TO MOLEX INCORPORATED AND SHOULD NOT BE USED WITHOUT WRITTEN PERMISSION						
ANGULAR ±3 °												