



Chipsmall Limited consists of a professional team with an average of over 10 year of expertise in the distribution of electronic components. Based in Hongkong, we have already established firm and mutual-benefit business relationships with customers from,Europe,America and south Asia,supplying obsolete and hard-to-find components to meet their specific needs.

With the principle of “Quality Parts,Customers Priority,Honest Operation,and Considerate Service”,our business mainly focus on the distribution of electronic components. Line cards we deal with include Microchip,ALPS,ROHM,Xilinx,Pulse,ON,Everlight and Freescale. Main products comprise IC,Modules,Potentiometer,IC Socket,Relay,Connector.Our parts cover such applications as commercial,industrial, and automotives areas.

We are looking forward to setting up business relationship with you and hope to provide you with the best service and solution. Let us make a better world for our industry!



Contact us

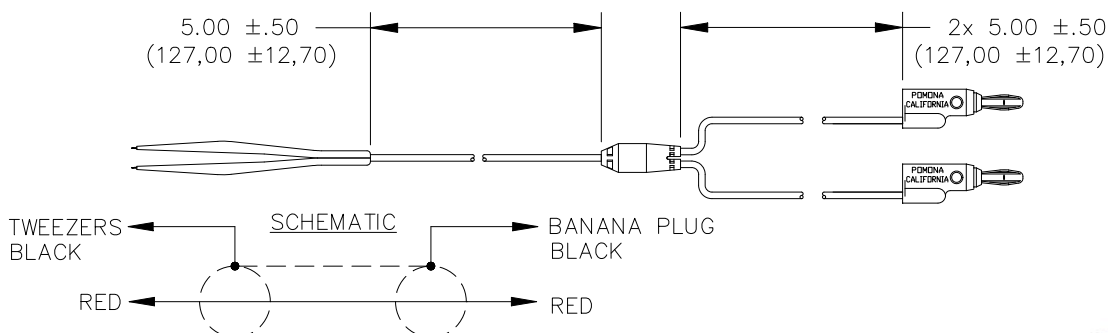
Tel: +86-755-8981 8866 Fax: +86-755-8427 6832

Email & Skype: info@chipsmall.com Web: www.chipsmall.com

Address: A1208, Overseas Decoration Building, #122 Zhenhua RD., Futian, Shenzhen, China



Model 5143 SMD Test Tweezer™ To Single Stacking Banana Plugs



Features

- Test Tweezer™ clip is specially designed for fast, convenient testing of surface mounted devices (SMDs).
- Durable tips assure a positive electrical connection.
- Cable is 48 inches long.

Materials

- Connector: 1st End – SMD Test Tweezer™
- Contact: Beryllium Copper per QQ-C-533, Alloy 172, HT.
- Tweezer™ Body: Nylon, glass filled. Color: One half red, one half black.
- Marking: "POMONA ELECTRONICS, TEST TWEEZERS"
- Finish: Contact – Gold plated per MIL-G-45204, Latest Revision, Type II, Class 00 over Sulfamate nickel per QQ-N 290, Latest Revision, 50/100 microinches.
- Cable: RG 174/U, 26 AWG, PVC insulated, 2.54 (.100) O.D.
- Nominal Impedance: 50 Ohms. Marking: "POMONA ELECTRONICS 5143-K-"
- Molded Breakout: PVC molded to breakout leads and cable. Color: Black
- Wire: 20 AWG 41/36 stranded T.C., PVC insulated, 2.21 (.087) O.D. Color matches color of Banana Plugs
- Connector: 2nd End – Standard Stacking Banana Plugs
- Banana Plug Body: Brass per QQ-B-626, Alloy 360, ½ Hard.
- Spring: Beryllium Copper per QQ-C-533, Alloy 172, Cond. HT.
- Finish: Nickel plated per QQ-N-290, Class 2, 200/300 microinches.
- Insulation: Polypropylene molded to plug bodies and wire. Color: One red, one black.
- Marking: "POMONA ELECTRONICS"



Ratings

- Operating Temperature: +50°C (+122°F) Max.
- Operating Voltage: For *CE compliance* and for personal safety, do not hold in hand when voltages exceed 30 Vrms/60 Vdc. Maximum voltage for *hands free use* in controlled testing environments: 400 Vrms Max. Do not use on circuits where transient stresses can exceed the rated voltage.
- Current: 3 Amperes

Ordering Information

Model: 5143-K-48

USA: Sales: 800-490-2361
Technical Support: technicalsupport@pomonatest.com
Fax: 425-446-5844

Europe: 31-(0) 40 2675 150 International: 425-446-5500

Where to Buy: www.pomonaelectronics.com

All dimensions are in inches. Tolerances (except noted): .xx = ±.02" (.51 mm), .xxx = ±.005" (.127 mm). All specifications are to the latest revisions. Specifications are subject to change without notice. Registered trademarks are the property of their respective companies.