



Chipsmall Limited consists of a professional team with an average of over 10 year of expertise in the distribution of electronic components. Based in Hongkong, we have already established firm and mutual-benefit business relationships with customers from,Europe,America and south Asia,supplying obsolete and hard-to-find components to meet their specific needs.

With the principle of “Quality Parts,Customers Priority,Honest Operation,and Considerate Service”,our business mainly focus on the distribution of electronic components. Line cards we deal with include Microchip,ALPS,ROHM,Xilinx,Pulse,ON,Everlight and Freescale. Main products comprise IC,Modules,Potentiometer,IC Socket,Relay,Connector.Our parts cover such applications as commercial,industrial, and automotives areas.

We are looking forward to setting up business relationship with you and hope to provide you with the best service and solution. Let us make a better world for our industry!



## Contact us

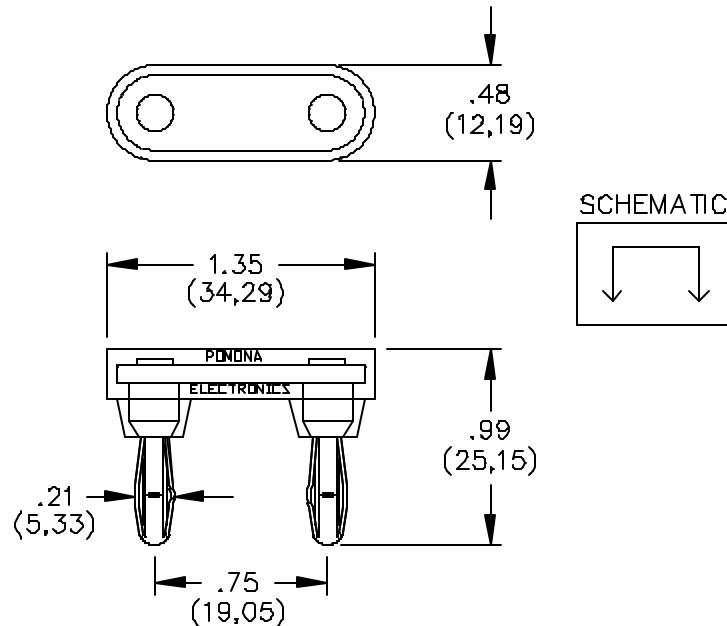
Tel: +86-755-8981 8866 Fax: +86-755-8427 6832

Email & Skype: info@chipsmall.com Web: www.chipsmall.com

Address: A1208, Overseas Decoration Building, #122 Zhenhua RD., Futian, Shenzhen, China



## Model 5145 Incapsulated Double Banana Plug Shorting Bar



### FEATURES:

- Low profile, completely insulated shorting bar.
- Insulation has finger ridge for ease of insertion and removal.
- Mates to Model #2269 or any standard double banana jack.

### MATERIALS:

#### Shorting Bar:

Material: Brass per QQ-B-613, Composition 2, ½ Hard.

Finish: Nickel plated per QQ-N-290, Class 2, 200/300 microinches.

#### Insulation:

Polypropylene molded to banana plugs and shorting bar. Color: Clear

Marking: "POMONA ELECTRONICS" "MODEL 5145".

#### Banana Plugs:

Material: Spring – Beryllium Copper per QQ-C-533, Berylco 25, Cond. H.T.

Plug Body – Brass per QQ-B-626, Alloy 360, ½ Hard.

Finish: Nickel plated per QQ-N-290, Class 2, 200/300 microinches.

### RATINGS:

Operating Temperature: +50°C. (+122°F.) Max.

Current: 15 Amperes

Resistance: Less than 1.5 milliohms installed.

### ORDERING INFORMATION: Model 5145

All dimensions are in inches. Tolerances (except noted): .xx = ±.02" (.51 mm), .xxx = ±.005" (.127 mm).

All specifications are to the latest revisions. Specifications are subject to change without notice.

Registered trademarks are the property of their respective companies. Made in USA